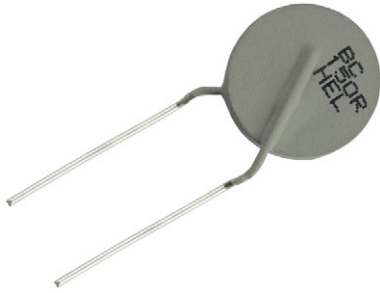


## PTC Thermistors, Inrush Current Limiter High Energy



### LINKS TO ADDITIONAL RESOURCES



QUICK REFERENCE DATA		
PARAMETER <sup>(1)</sup>	VALUE	UNIT
Resistance at 25 °C ( $R_{25}$ ) <sup>(2)</sup>	150 to 1500	$\Omega$
Switching temperature	160 to 170	°C
Maximum inrush current	10 to 30	A
Maximum AC voltage <sup>(2)</sup>	460 to 800	$V_{RMS}$
Maximum DC voltage <sup>(2)</sup>	650 to 1200	$V_{DC}$
Maximum peak voltage <sup>(3)</sup>	4000	$V_P$
Maximum energy at 25 °C <sup>(2)</sup>	340	J
Operating temperature range	-40 to 105	°C
Storage temperature range	-40 to 175	°C
Dissipation factor	20	mW/K
Thermal time constant (still air cooling)	155	s
Weight	5.7	g

#### Notes

- <sup>(1)</sup> Definitions, measurements, and tests are made in accordance with standard IEC 60738-1 "Thermistors - Directly heated positive temperature coefficient" and AEC-Q200 stress test qualification for passive components
- <sup>(2)</sup> Other resistance values and maximum operating voltages available on request.  
Matched resistance values available on request
- <sup>(3)</sup> Maximum peak voltages are based on 8/20  $\mu$ s pulses that can be applied with limited none-switching energy

### FEATURES

- Higher energy absorption levels up to **340 J**
- High number of inrush-power cycles:  
> 100 000 cycles
- Highly resistant against non-switching peak-powers of up to 25 kW
- Can handle high direct voltage up to 1200 V
- Self protecting in case of overload with no risk of over-heating
- AEC-Q200 qualified
- Material categorization: for definitions of compliance please see [www.vishay.com/doc?99912](http://www.vishay.com/doc?99912)


**RoHS**  
COMPLIANT

### APPLICATIONS

Inrush current limiting and load-dump resistor in:

- AC/DC and DC/DC converters
- Energy dump and DC-Link circuits
- Emergency discharge circuits
- OBC, Battery charging equipment
- Motor drives
- Welding equipment

PTCEL thermistors have resistance values that can change instantly based on the applied voltage levels and varying body temperatures.

### DESCRIPTION

These directly heated ceramic-based doped barium titanate thermistors have a positive temperature coefficient and are primarily intended for inrush current limiting and overload protection. They consist of a homogeneous high energy ceramic with increased switching temperature, soldered between two tinned CCS wires and coated with a UL 94 V-0 compliant high temperature silicone lacquer. The body is marked with the logo, cold resistance value, HEL on one side and date code on the opposite side.

### MOUNTING

**Important mounting and handling instructions, see:**

[www.vishay.com/doc?29223](http://www.vishay.com/doc?29223)

By soldering in any position.

Not intended for potting or sealing.

Maximum surface temperature in case of overload can reach 210 °C.

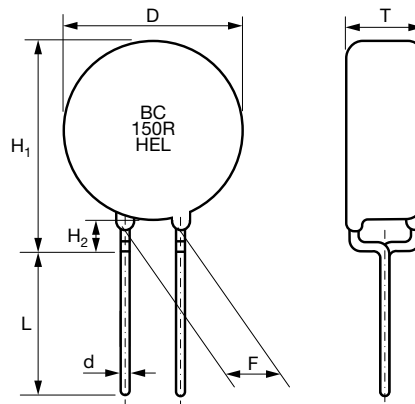
### PACKAGING

PTCEL thermistors are available in 200 pieces individually packed in layered PET trays or tape on reel 500 pieces.

<b>ELECTRICAL DATA AND ORDERING INFORMATION</b>										
PART NUMBER (1)	$R_{25}$ ( $\Omega$ )	$R_{25}$ TOL. (%)	$V_{MAX.}$ ( $V_{RMS}$ )	$V_{LINK MAX.}$ ( $V_{DC}$ )	$R_{MIN.}$ < 1.5 $V_{DC}$ ( $\Omega$ )	$I_{HOLD}$ AT 25°C (mA)	$C_{th}$ (J/K)	$E_{MAX.}$ 1 CYCLE AT 25°C (J)	$\tau_{th}$ (s)	LEAD PITCH F (2) (mm)
PTCEL67R151NxE	150	30	460	650	65	102	2.6	340	155	10.0
PTCEL67R251SxE	250	30	600	850	105	79	2.6	340	155	10.0
PTCEL67R501TxE	500	30	700	1000	200	56	2.6	340	155	10.0
PTCEL67R501TxE305	500	30	700	1000	200	56	2.6	340	155	7.5
PTCEL67R102UxE	1000	30	800	1200	380	40	2.6	340	155	10.0
PTCEL67R152UxE	1500	30	800	1200	570	32	2.6	340	155	10.0

**Notes**

- (1) Replace the x by B for bulk or T for tape and reel  
 (2) Standard lead wire pitch F on the high energy series is 10.0 mm

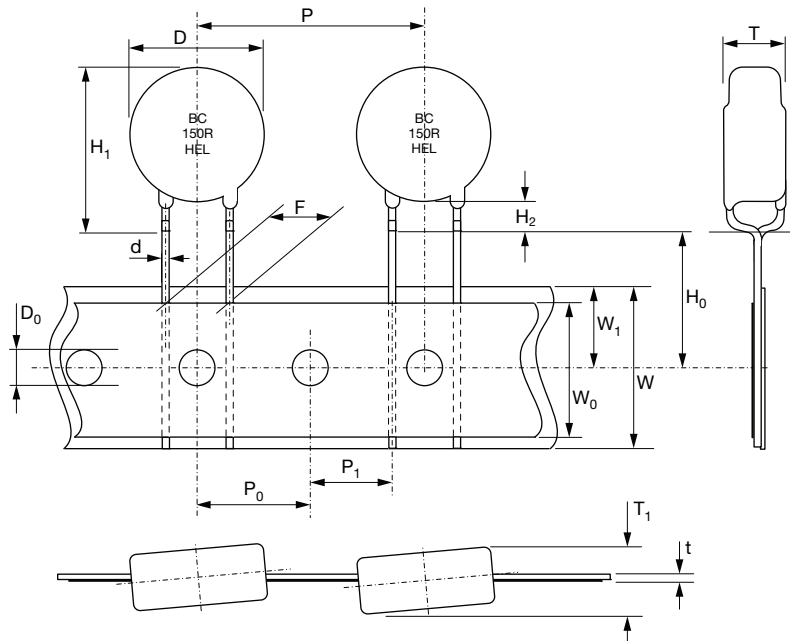
**OUTLINE AND DIMENSIONS**


<b>COMPONENT DIMENSIONS</b> in millimeters			
SYMBOL	PTCEL67		
D	16.5 max.		
d	0.8 ± 0.05		
H <sub>1</sub>	20 max.		
H <sub>2</sub>	3 ± 1		
T	7.5 max.		
F (1)	5.0 ± 0.8	7.5 ± 0.8	Standard 10.0 ± 0.8
L (2)	20 min.	18 min.	16 min.

**Notes**

- (1) F pitch = see "Electrical Data and Ordering Information" table for available wire pitch part numbers  
 (2) L lead length corresponds to available wire pitch part numbers

**TAPE AND REEL DIMENSIONS**

 Taping on reel with  $F = 7.5 \text{ mm}$  and  $10.0 \text{ mm}$  wire pitch, spacing paper tape and foam separator tape used on reel.


DIMENSIONS in millimeters (standard cardboard tape W 18 mm according IEC 60286-2)		
SYMBOL	PARAMETER	VALUE
D	Body diameter	See bulk dimensions
d	Lead diameter	See bulk dimensions
$D_0$	Feed hole diameter	$4.0 \pm 0.3$
P	Component pitch	$25.4 \pm 1.0$
$P_1$	Feed hole center to lead center	
	67R type *TE	$7.7 \pm 0.7$
	67R type *TE3xx	$8.95 \pm 0.7$
$P_0$	Feedhole pitch	$12.7 \pm 0.3$
F	Lead center to lead center distance (between component and tape)	
	67R type *TE (feedhole between leads)	$10.0 +0.5/-0.2$
	67R type *TE3xx (feedhole between leads)	$7.5 +0.5/-0.2$
$H_0$	Lead wire clinch height	$16.0 \pm 0.5$
$H_2$	Component bottom to seating plane	$3.0 \pm 1.0$
$H_1$	Component top to seating plane	See bulk dimensions
T	Body thickness	See bulk dimensions
$T_1$	Total thickness	$T + 1.0 \text{ max.}$
t	Total tape thickness	1.7 max.
W	Tape width	$18.0 \pm 0.5$
$W_0$	Hold down tape width	10 min.
$W_1$	Hole position	$9.0 \pm 0.5$



### REQUIRED NUMBER OF PTC THERMISTORS TO LIMIT CURRENT AND ABSORB ENERGY

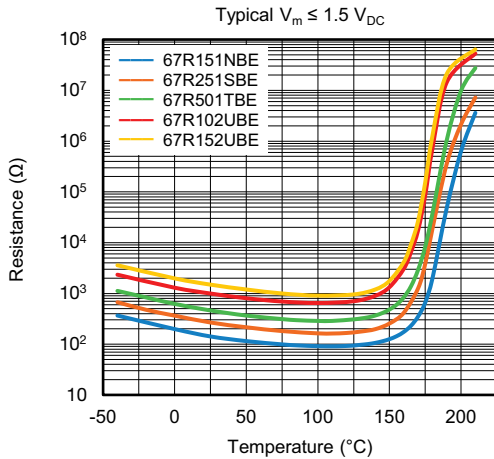
By using several PTC's in a series / parallel network, the maximum current limitation and absorbed energy levels can be further optimized. For homogeneous current and energy distribution it is recommended to combine only PTCEL of the same size and nominal resistance value. Energy absorption per PTC in a network depends on current distribution in the network and as such on the individual PTC resistance value. PTCEL thermistors might be used in a series connection to further lower the inrush current, but not to increase the maximum allowed voltage levels. PTCEL thermistors placed in series should have matched resistance values to divide the energy equally. Following formula may be used to calculate the minimum number of PTCEL thermistors of the same size and matched resistance value that are required in a DC link or other capacitor bank application to properly charge or discharge a given amount of non-repetitive energy without follow current. The formula is valid for one charge or discharge operation within cool down period of at least 5 times the thermal time constant and for which the  $T_{PTC}$  equals the  $T_{amb}$  before a consecutive operation. To make a better evaluation of which PTCEL type and how many parts would be needed for a specific circuit and operating mode, it is advisable to use the available SPICE models and simulate the circuit application.

$$N \geq \frac{K \times C \times V^2}{2 \times C_{th} \times (T_{sw} - T_{amb})}$$

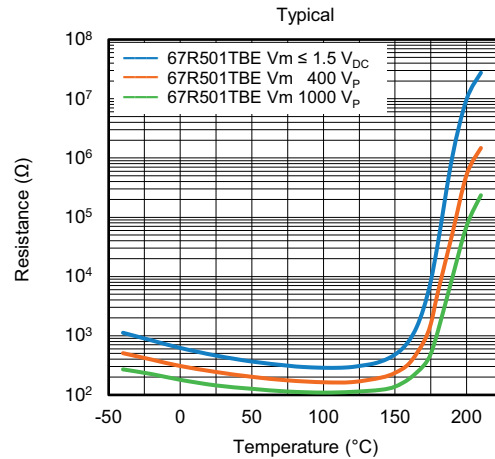
#### Notes

- N is the number of PTCEL required in the network
- C is the total capacitor value to charge or discharge in F
- V is the maximum DC voltage on the capacitor C
- $C_{th}$  is the thermal capacity of one PTC in [J/K] (see table)
- $T_{sw}$  is the minimum switching temperature of the PTCEL (160 °C)
- $T_{amb}$  is the maximum ambient temperature at which the PTC needs to operate
- K is the factor that determines the charging operation mode
  - K = 1 for DC charging or discharging
  - K = 0.96 for 3-phase rectified charging
  - K = 0.76 for single phase rectified charging

### RESISTANCE VS. TEMPERATURE

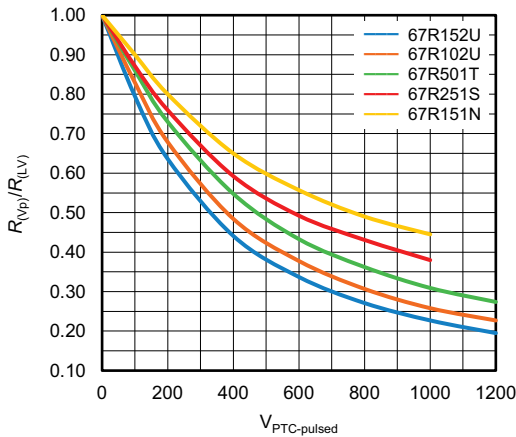


### RESISTANCE VS. TEMPERATURE PULSED

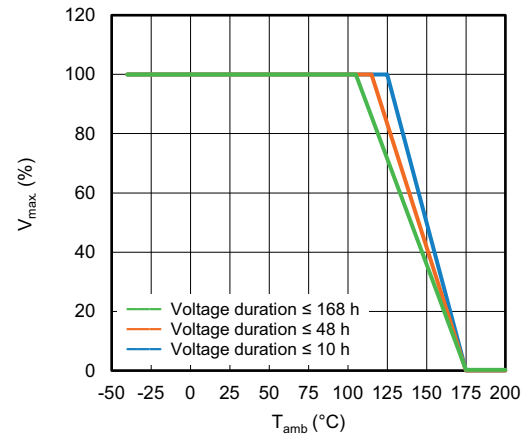




## PTC RESISTANCE UNDER PULSED VOLTAGE



## $V_{max}$ . DERATING VS. $T_{amb}$

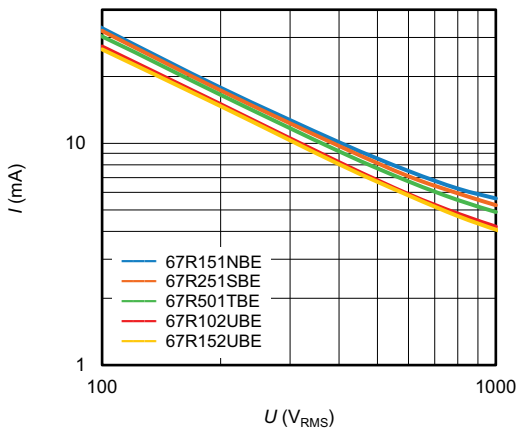


### Notes

- The minimum PTC resistance values under (pulsed) voltage are depending on actual minimum resistance value in the temperature range of 100 °C to 120 °C. The actual voltage dependency effect or  $R_{V(p)}/R_{V(L)}$  ratio of ceramic PTC is depending on its resistance values at low voltage ( $R_{V(L)}$ ). The different curves represent the influence of (pulsed) voltage related to some typical PTC resistance values at any temperature below 150 °C. A PTC resistance value  $R_{V(L)}$  can be taken from the Resistance vs Temperature graphs and multiplied by a corresponding ratio to estimate the (minimum) resistance value and determine a maximum peak current at a defined voltage. Actual peak currents that could be reached at certain voltage levels can be more precisely evaluated by using the available SPICE models
- Also check the graph "Resistance vs. temperature pulsed" to see the typical resistance to voltage dependency effect on a PTCEL67R501TBE

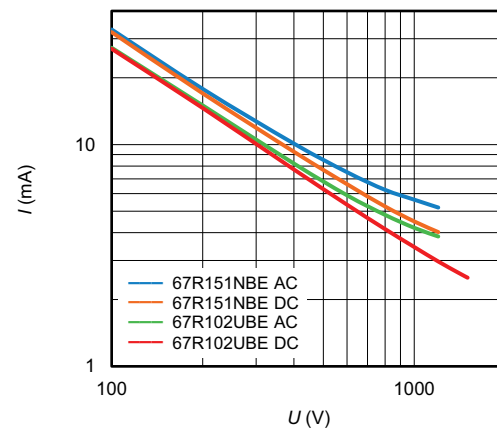
## RESIDUAL CURRENT VS. VOLTAGE

Typical at 25 °C Still Air

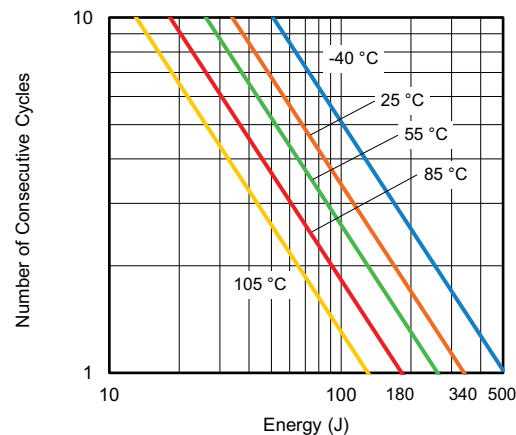


## RESIDUAL CURRENT VS. VOLTAGE AC / DC

Typical at 25 °C Still Air



## CONSECUTIVE ENERGY CYCLES AT DIFFERENT $T_{amb}$ FOR PTCEL67





## Disclaimer

ALL PRODUCT, PRODUCT SPECIFICATIONS AND DATA ARE SUBJECT TO CHANGE WITHOUT NOTICE TO IMPROVE RELIABILITY, FUNCTION OR DESIGN OR OTHERWISE.

Vishay Intertechnology, Inc., its affiliates, agents, and employees, and all persons acting on its or their behalf (collectively, "Vishay"), disclaim any and all liability for any errors, inaccuracies or incompleteness contained in any datasheet or in any other disclosure relating to any product.

Vishay makes no warranty, representation or guarantee regarding the suitability of the products for any particular purpose or the continuing production of any product. To the maximum extent permitted by applicable law, Vishay disclaims (i) any and all liability arising out of the application or use of any product, (ii) any and all liability, including without limitation special, consequential or incidental damages, and (iii) any and all implied warranties, including warranties of fitness for particular purpose, non-infringement and merchantability.

Statements regarding the suitability of products for certain types of applications are based on Vishay's knowledge of typical requirements that are often placed on Vishay products in generic applications. Such statements are not binding statements about the suitability of products for a particular application. It is the customer's responsibility to validate that a particular product with the properties described in the product specification is suitable for use in a particular application. Parameters provided in datasheets and / or specifications may vary in different applications and performance may vary over time. All operating parameters, including typical parameters, must be validated for each customer application by the customer's technical experts. Product specifications do not expand or otherwise modify Vishay's terms and conditions of purchase, including but not limited to the warranty expressed therein.

Hyperlinks included in this datasheet may direct users to third-party websites. These links are provided as a convenience and for informational purposes only. Inclusion of these hyperlinks does not constitute an endorsement or an approval by Vishay of any of the products, services or opinions of the corporation, organization or individual associated with the third-party website. Vishay disclaims any and all liability and bears no responsibility for the accuracy, legality or content of the third-party website or for that of subsequent links.

Vishay products are not designed for use in life-saving or life-sustaining applications or any application in which the failure of the Vishay product could result in personal injury or death unless specifically qualified in writing by Vishay. Customers using or selling Vishay products not expressly indicated for use in such applications do so at their own risk. Please contact authorized Vishay personnel to obtain written terms and conditions regarding products designed for such applications.

No license, express or implied, by estoppel or otherwise, to any intellectual property rights is granted by this document or by any conduct of Vishay. Product names and markings noted herein may be trademarks of their respective owners.