

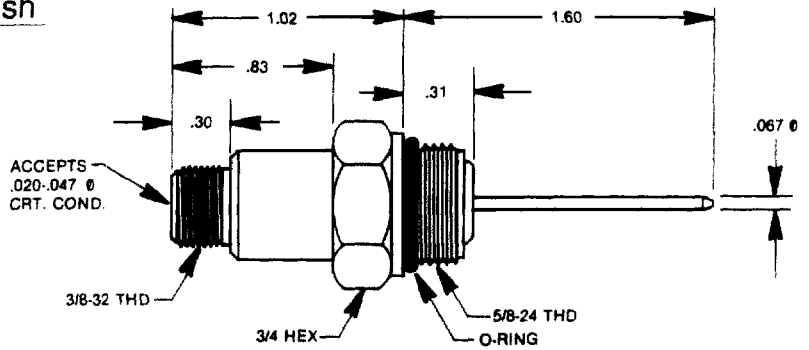
KS PORT ADAPTERS

GF-625-CH TYPE

Part Number Socket and Pin Finish

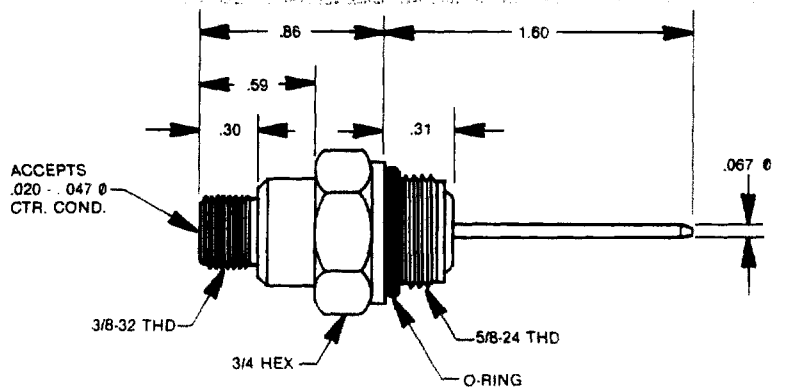
GF-625-CH Bright Acid Tin
73068 Gold

- Adapts a KS port to F female
- Aluminum body
- Chromate conversion coating
- Brass pin
- Add "-T" to part number for 2.31 inch pin length



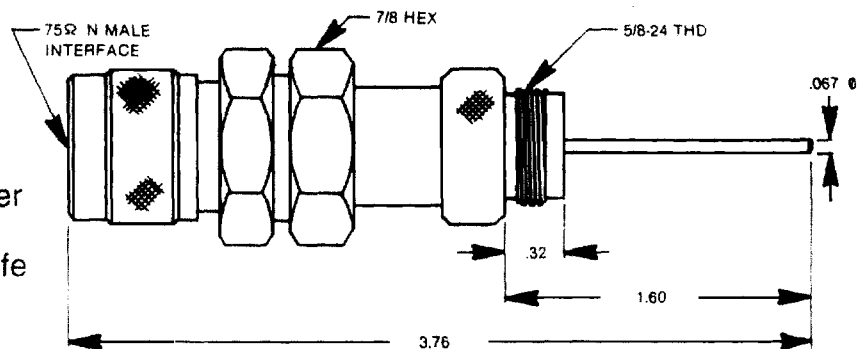
NS-2962-1

- Adapts a KS port to F female
- All brass construction
- Bright acid tin plating
- Alternate to GF-625-CH when brass body is desired
- Order NS-2962-3 for 2.31 inch pin length



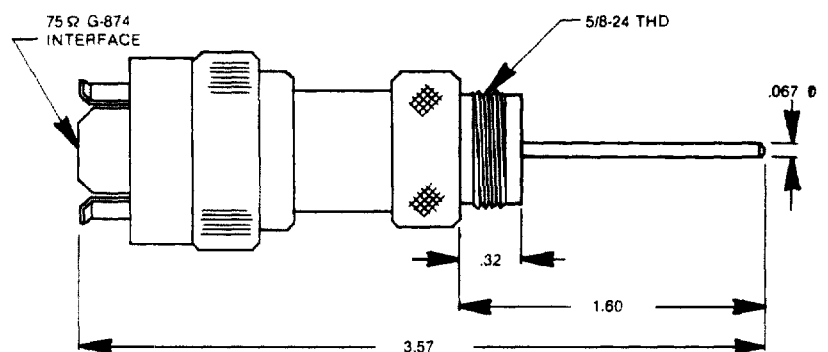
GTC-CH-N

- Precision laboratory grade 75Ω N plug adaptor for KS port
- Brass coupling nut
- Stainless body for long life of KS threads
- Brass with bright alloy plate inner and outer contact of N plug
- Stainless steel KS pin for long life
- Add "-T" to part number for 2.31 inch pin length



GTC-CH-874

- Precision laboratory grade 75Ω G-874 adaptor for KS port
- Brass coupling nut
- Brass with bright alloy plate inner and outer contact of G-874
- Stainless steel body for long life of KS threads
- Stainless steel KS pin for long life
- Add "-T" to part number for 2.31 inch pin length



GILBERT ENGINEERING CO., INC.

POST OFFICE BOX 23189
PHOENIX, AZ 85063-3189 USA

5310 W. CAMELBACK ROAD
GLENDALE, AZ 85301-7597 USA

TEL: 602-245-1050
TEL: 800-528-5567

FAX: 602-931-0684
FAX: 800-344-6358