



PIDG

TE Part # 32836

TE Internal #: 32836

PIDG RING TONGUE TERMINALS

[View on TE.com >](#)

Terminals & Splices > Rings & Spades > PIDG RING TONGUE TERMINALS



Wire Size: 509 – 3260 CMA

Stud Size: #10

Stud Diameter: 5 mm [.197 in]

[All PIDG RING TONGUE TERMINALS \(428\)](#)

Features

Product Type Features

Shape Description	RING-041
Stud Size	#10
Barrel Type	Closed Barrel
Insulated	Yes
Wire/Cable Type	Regular Wire
Support Style	Insulation Support

Configuration Features

Number of Holes	1
-----------------	---

Electrical Characteristics

Voltage (Max)	300 V
---------------	-------

Body Features

Inspection Slot	No
Insulation Sleeve Color	Red
Plating Material	Copper, Tin

Contact Features

Terminal Orientation	Straight
----------------------	----------

Mechanical Attachment

Wire Insulation Support	With
-------------------------	------



Dimensions

Wire Size	509 – 3260 CMA
Stud Diameter	5 mm[.197 in]
Tongue Thickness	.79 mm[.031 in]
Overall Length	22.25 mm[.876 in]
Wire Insulation Diameter	2.03 – 3.18 mm[.08 – .125 in]

Usage Conditions

Operating Temperature Range	105 °C
-----------------------------	--------

Operation/Application

Heavy Duty	No
------------	----

Industry Standards

Government Qualified	No
----------------------	----

Packaging Features

Packaging Quantity	1000
Packaging Method	Loose Piece

Product Compliance

[For compliance documentation, visit the product page on TE.com>](#)

EU RoHS Directive 2011/65/EU	Compliant
EU ELV Directive 2000/53/EC	Compliant
China RoHS 2 Directive MIIT Order No 32, 2016	No Restricted Materials Above Threshold
EU REACH Regulation (EC) No. 1907/2006	Current ECHA Candidate List: JAN 2019 (197) Candidate List Declared Against: JAN 2018 (181)
Halogen Content	Not Low Halogen - contains Br or Cl > 900 ppm.
Solder Process Capability	Not applicable for solder process capability

Product Compliance Disclaimer

This information is provided based on reasonable inquiry of our suppliers and represents our current actual knowledge based on the information they provided. This information is subject to change. The part numbers that TE has identified as EU RoHS compliant have a maximum concentration of 0.1% by weight in homogenous materials for lead, hexavalent chromium, mercury, PBB, PBDE, DBP, BBP, DEHP, DIBP, and 0.01% for cadmium, or qualify for an exemption to these limits as defined in the Annexes of Directive 2011/65/EU (RoHS2). Finished electrical and electronic equipment products will be CE marked as required by Directive 2011/65/EU. Components may not be CE marked. Additionally, the part numbers that TE has identified as EU ELV compliant have a maximum concentration of 0.1% by weight in homogenous materials for lead, hexavalent chromium, and mercury, and 0.01% for cadmium, or qualify for an exemption to these limits

as defined in the Annexes of Directive 2000/53/EC (ELV). Regarding the REACH Regulations, TE's information on SVHC in articles for this part number is still based on the European Chemical Agency (ECHA) 'Guidance on requirements for substances in articles' (Version: 2, April 2011), applying the 0.1% weight on weight concentration threshold at the finished product level. TE is aware of the European Court of Justice ruling of September 10th, 2015 also known as O5A (Once An Article Always An Article) stating that, in case of 'complex object', the threshold for a SVHC must be applied to both the product as a whole and simultaneously to each of the articles forming part of its composition. TE has evaluated this ruling based on the new ECHA "Guidance on requirements for substances in articles" (June 2017, version 4.0) and will be updating its statements accordingly.

Compatible Parts



TE Part # 59250
T-HD HT, PIDG 22-14



TE Part # 59300
T-HD HT, PIDG 24-16



TE Part # 47806-2
DIE PIDG 69365 46110 22-16



TE Part # 58433-3
PRO CR ASSY, RBY IS9252



TE Part # 47386
CERTI-CRIMP PIDG 22-16
DAHT



TE Part # 59824-1
TETRA-CRIMP HT ASSY



TE Part # 58423-1
DIE, RBY IS9252



TE Part # 47386-4
22-16 PIDG D.A.H.T ASSY
***PL



TE Part # 525690
20-18 PIDG D.A.H.T.ASSY



TE Part # 2063030-1
SDE DIESET, RBY, UL



TE Part # 539691-2
ERGO DIE R.B.Y

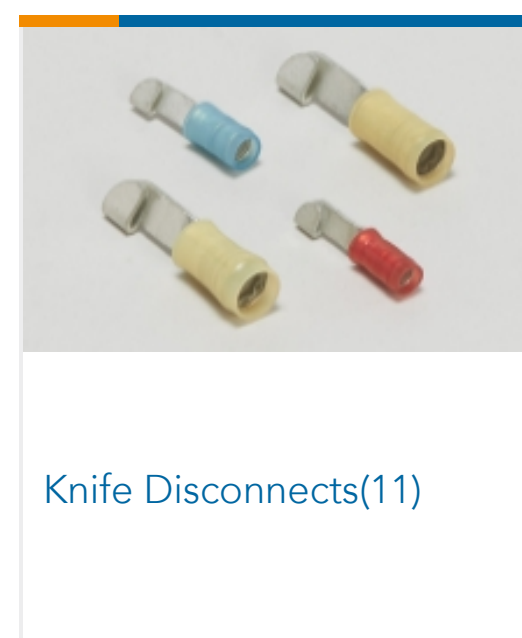
Also in the Series | PIDG



Crimp Terminal Housings
(1)



Crimp Wire Pins, Tabs &
Ferrules(41)



Knife Disconnects(11)



PCB Terminals(9)



Portable Crimp Tools(1)



Quick Disconnects(53)



Rings & Spades(868)



Special Purpose Terminals (1)



Splices(48)

Customers Also Bought



TE Part #3-643817-8
08P MTA156 CONN ASSY
18AWG ORA



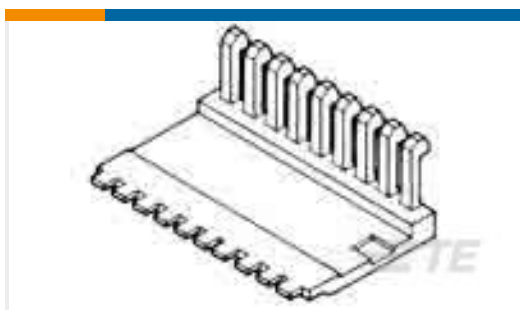
TE Part #499252-7
060 STRAIN RELIEF A-L
RCPT



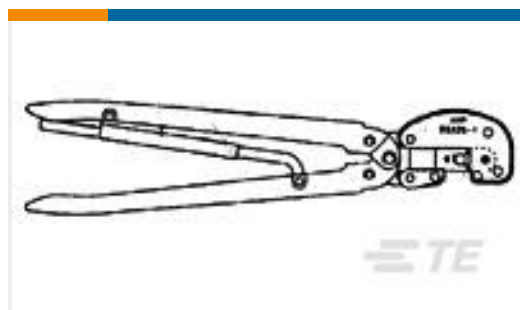
TE Part #859526-4
4 CAV FLANGED RECEPT
KIT



TE Part #1-1658527-2
622-4030LF FEM SOCKET,
LEAD FREE



TE Part #1-102536-0
24 AMPMODU MT COVER
DR .100CL



TE Part #525692
HEAVY HEAD 12-10 PIDG
H/T ASSY



TE Part #52963
TERMINAL,PG SPR SPD 12-
10 10

Documents

Product Drawings

[PIDG R 22-16 COMM 22-18 MIL 10](#)

English

Product Specifications

[Application Specification](#)

English

Agency Approvals



[UL Report](#)

English