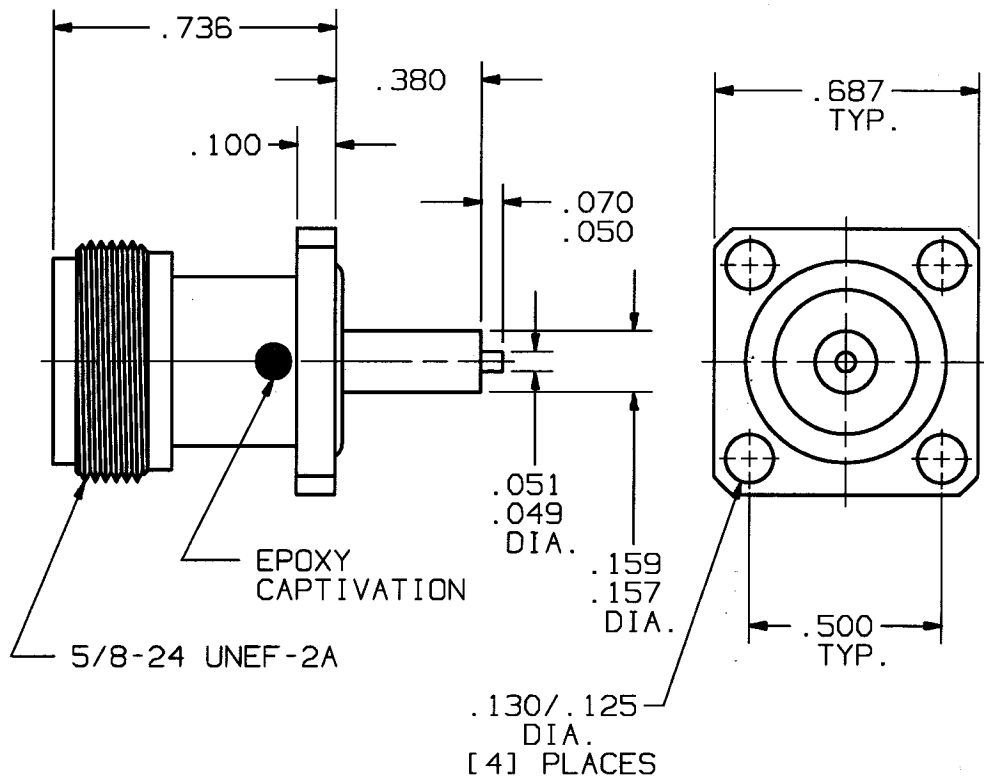


PRODUCT DATA DRAWING

| | | |
|-----------------------------|-------------------------------|--------------------------------|
| CAD GENERATED DRAWING | DCN CONTROLLED DOCUMENT | DWG. NO. SF5050-6031 |
|-----------------------------|-------------------------------|--------------------------------|



MATERIALS:

- BODY: STAINLESS STEEL PER AMS-5640, UNS-S30300 (TYPE1)
- INSULATOR: TEFLON PER ASTM-D-1457
- CONTACT: BERYLLIUM COPPER PER ASTM-B196, COND. YD04, ALLOY UNS-C17300
- O-RING: RUBBER, SILICONE PER ZZ-R-765, CLASS IIB, GRD. 50-60.

FINISHES:

- BODY: PASSAVATE PER QQ-P-35C, TYPE II
- CONTACT: GOLD PER MIL-G-45204, TYPE I, GRADE C, CLASS 1 OVER NICKEL PER QQ-N-290, CLASS 1

IMPEDANCE: 50 OHMS
 FREQ. RANGE: DC-12.4 GHz
 D.W.V.: 3000 VRMS
 INSUL. RES.: 5000 MEGOHMS MIN.

| | | | | | | | | | | |
|------|----------------|----------|--------------------------------|--|--|---------------------|-------------|--|---|-----------|
| SYM. | DESCRIPTION | DATE | APPR. | UNLESS OTHERWISE SPECIFIED: 1) ALL DIMENSIONS ARE AFTER PLATING. 2) BREAK CORNERS & EDGES .005 R. MAX. 3) CHAM. 1st & LAST THDS. 4) SURFACE ROUGHNESS 63 / MIL-STD-10. 5) DIAS. ON COMMON CENTERS TO BE CONCENTRIC WITHIN .005 T.I.R. 6) REMOVE ALL BURRS. | DIMENSIONS ARE IN INCHES | | | Solltron Vector Microwave 3301 ELECTRONICS WAY WEST PALM BEACH, FL. 33407 | | |
| | REL. DCN 22972 | 11/16/96 | [Signature] | | TOLERANCES: DECIMALS FRACTIONAL ANGULAR .X ±.030 X° ±1°0' .XX ±.015 ±1/64 X°X' ±15' .XXX ±.005 | MATERIAL: SEE ABOVE | | | TITLE: TYPE N JACK 4 HOLE MOUNT WITH RECEPTACLE | |
| | | | | | DRAWN: VMJ. 11/14/96 | FINISH: SEE ABOVE | | | | AREA: N/A |
| | | | | | CHECKED: JLG. 11-18-96 | SIZE | CAGE NO. | | SCALE | DWG. NO. |
| | | | APPROVED: [Signature] 11/21/96 | A | 95077 | 2X | SF5050-6031 | | | |