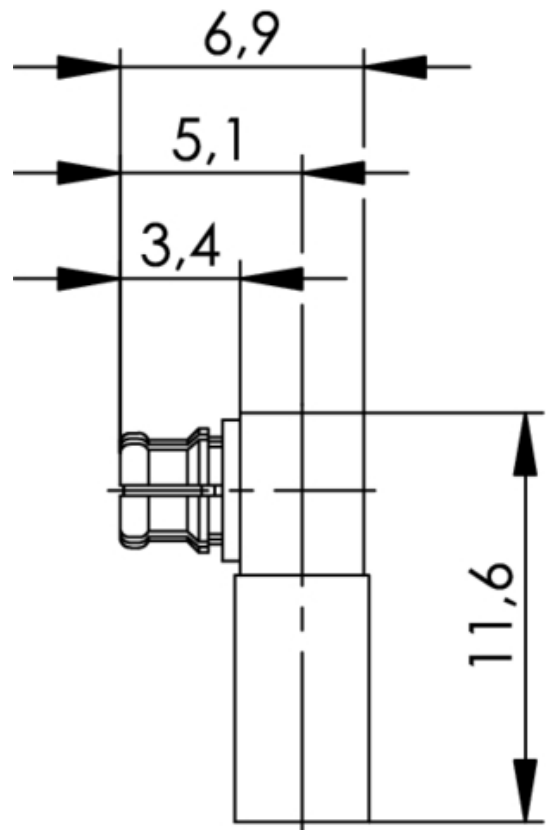


order number: J01391A0021

SMP Angle Cable Jack Crimp G7 (RG-316/U), solder/crimp



Technical Attributes	
Cable group; cable	G7 (RG-316/U) RG-188A/U RG-174/U KX 3B RG-316/U KX 22A
Remarks	solder/crimp
Assembly	C5116
Crimp die	N01003A0009

Product description

The SMP series comprises micro-miniature RF connectors with a snap coupling mechanism, suitable for use

up to 12 GHz. The impedance is controlled at 50 Ohm. The mating faces are designed in accordance with the MIL-STD-348A specification. Cable terminations are either crimp or solder designs, for flexible and semi-rigid cables. The SMP series connectors are primarily used in high-speed signal transmission lines. Board-to-board PCB connections can be realised using the so-called SMP "bullets".

There are three different coupling mechanisms: Smooth bore Limited detent Full detent

Mechanical Characteristics	
Durability (mating cycles) Full Detent	≥ 100
Durability (mating cycles) Limited Detent	≥ 500
Durability (mating cycles) Smooth Bore	≥ 1000
Insertion force Full Detent	68 N max.
Insertion force Limited Detent	45 N max.
Insertion force Smooth Bore	9 N max.
Withdrawal force Full Detent	22 N min.
Withdrawal force Limited Detent	9 N min.
Withdrawal force Smooth Bore	2.2 N min.
Material: spring contacts	CuBe2
Material: solid contact parts	CuZn39Pb3
Material: crimp ferrule	Cu
Material: insulators	PTFE, LCP, PEEK
Finish: Inner conductor	NiP-Au
Finish: Outer conductor	NiP-Au
Finish: Other metal parts	Ni-Au

Climatic Characteristics	
Climatic category acc. to IEC 60068 - 1	55/155/21

Electrical Characteristics	
Contact resistance inner conductor	≤ 6 mΩ
Contact resistance outer conductor	≤ 2 mΩ
Insulation resistance	≥ 5 GΩ
Impedance	50 Ω

Frequency range up to	12 GHz
VSWR: Straight style, semi-rigid	typ. 1.03+0.02 f (GHz)
VSWR: Angle style, semi-rigid	typ. 1.04+0.03 f (GHz)
Proof voltage	500 Veff/50 Hz
Working voltage	≤ 335 Veff/50 Hz