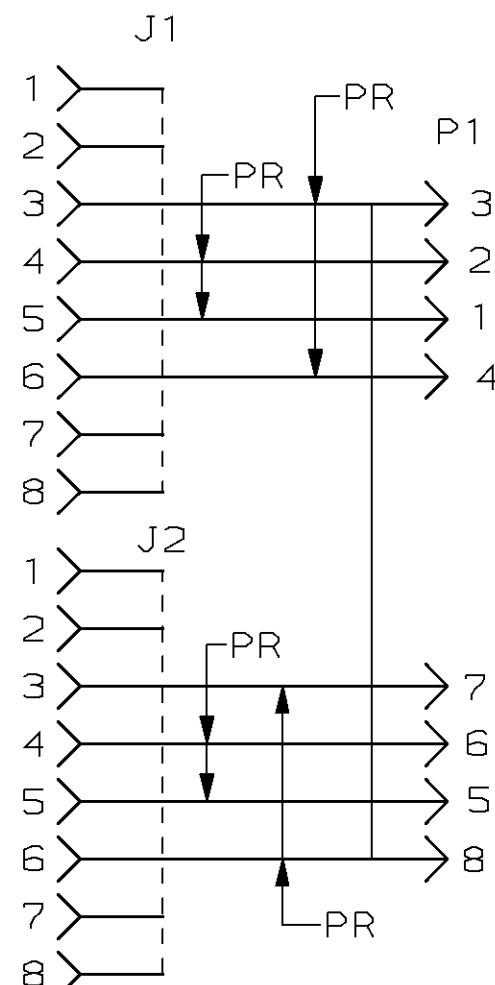
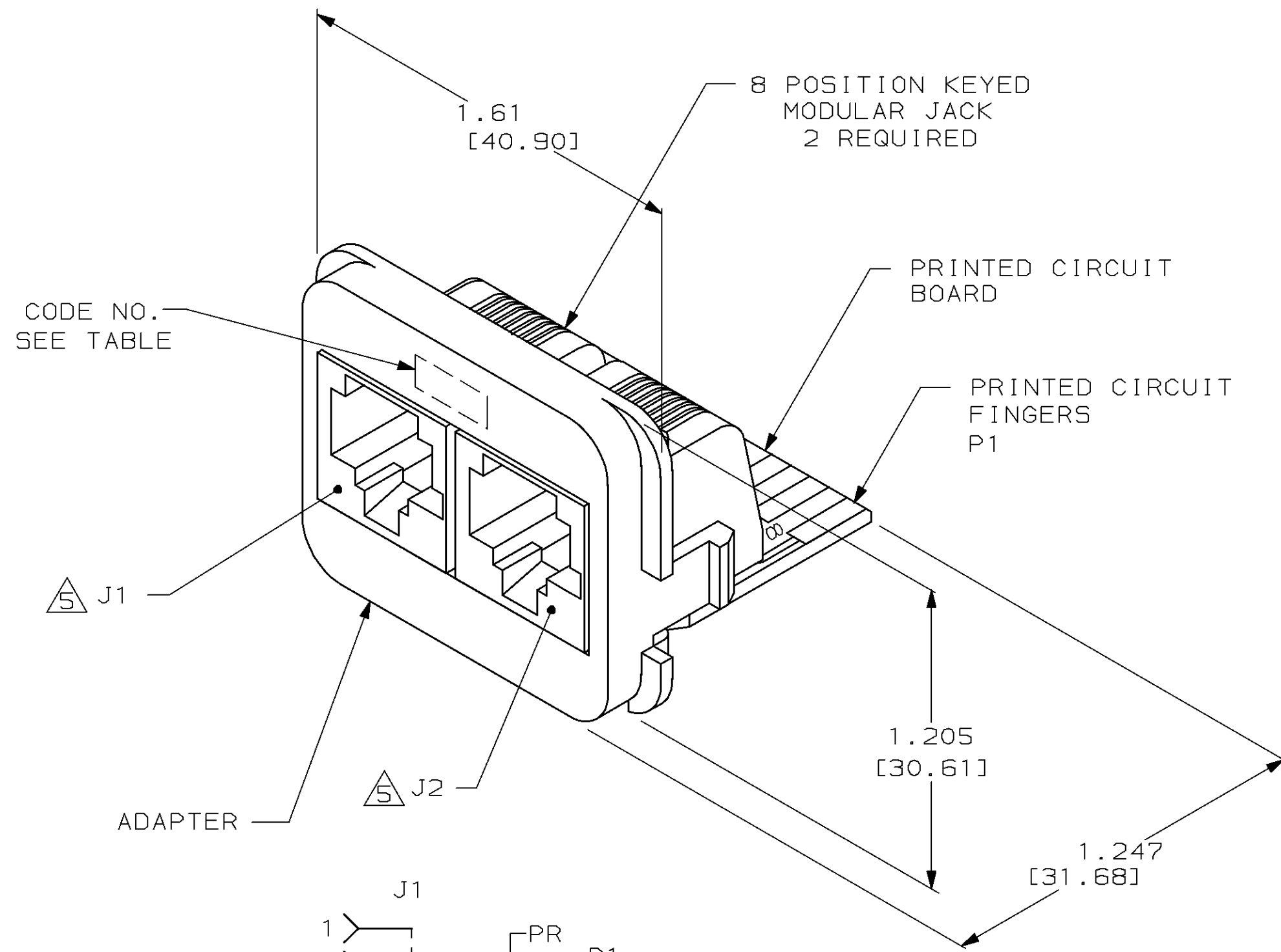


LOC	DIST	P	F	REVISIONS		
				ZONE	LTR	DATE
AA	28			E	OBS -4; EC 0502-0806-97	28MAY98
						CW GB

- ① DIMENSIONS ARE MAXIMUM.
- ② MATERIAL: PRINTED CIRCUIT BOARD - LAMINATED PLASTIC SHEET, .062 [1.57] THICK.
ADAPTER - ABS MOLDING COMPOUND, SEE TABLE.
PRINTED CIRCUIT FINGERS - .000020 [0.51µm] MINIMUM GOLD PLATE OVER .000050 [1.27µm] MINIMUM NICKEL PLATE.
- 3. DIMENSIONS IN BRACKETS [] ARE IN MILLIMETERS.
- 4. THIS INSERT IS DESIGNED TO MATE WITH AMP INC. EDGE CONNECTOR KIT AND WALLBOX KITS.
- ⑤ THIS INTERCONNECT MEETS THE REQUIREMENTS OF IEC 603-7.



ELECTRICAL SCHEMATIC

BLACK	05-5	WHITE	555605-5
WHITE	05-3	BLACK	555605-3
BLACK	05-1	LIGHT ALMOND	555605-1
MARKINGS COLOR	CODE NO.	ADAPTER COLOR	PART NO

DO NOT SCALE PRINT. UNLESS SPECIFIED DIMENSIONS IN INCHES [mm] TOLERANCES ON : 2 PLC DEC ± 3 PLC DEC ± ANGLES ±	DR	5-8-90	
	CHK	C. YATES	
MATERIAL	APPD	5-17-90	
	APPD	B. FOX	
FINISH	APPD	5-17-90	
	APPD	JR SCHLUNZ	
	PRODUCT SPEC	JB WILKERSON	
	APPLICATION SPEC	SIZE	CAGE CODE
		③	00779
	WEIGHT	SCALE	DRAWING NO
	-	2:1	555605
			SHEET 1 OF 1

CAD DRAWINGS
 THIS DRAWING WAS CREATED ON A COMPUTER AIDED DESIGN (CAD) SYSTEM. TO INSURE THE INTEGRITY OF THE DATA BASE ALL CHANGES/ REVISIONS MUST BE MADE ON THE CAD SYSTEM.

555605