

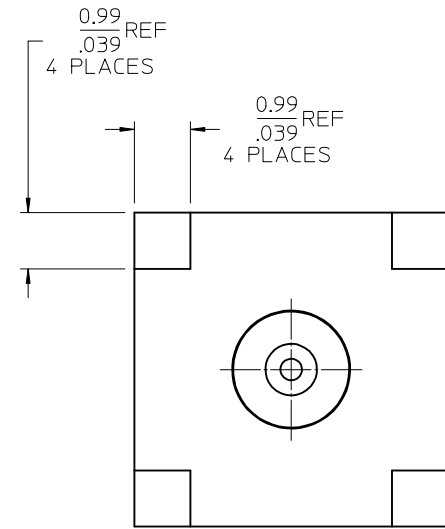
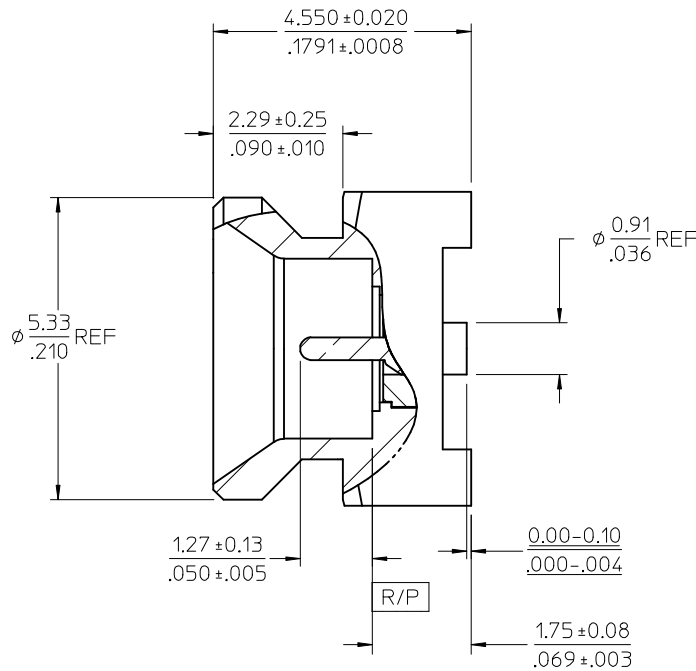
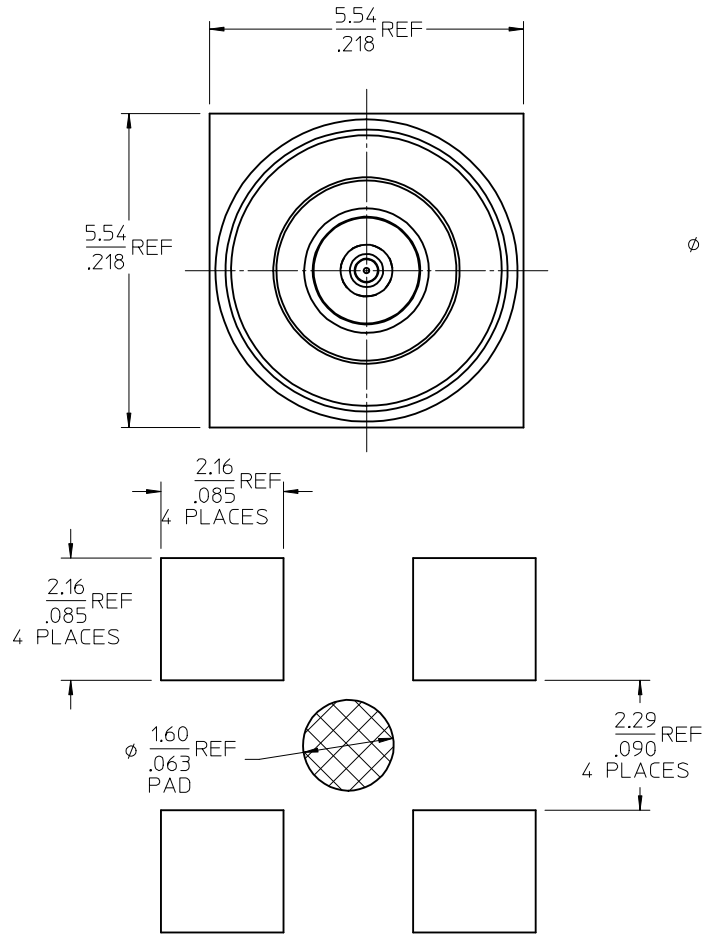
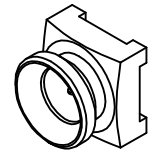
MATERIALS AND FINISHES:

BODY: BRASS  
 PLATED: GOLD (30μ-in MIN)  
 OVER NICKEL (100μ-in MIN)

CONTACT: BERYLLIUM COPPER  
 PLATED: GOLD (30μ-in MIN)  
 OVER NICKEL (100μ-in MIN)

INSULATOR: PTFE

SEE SHEETS 2 & 3 FOR  
 PACKAGING INSTRUCTIONS



RECOMMENDED PCB LAYOUT

PART # 73415-4230

PS-89675-3320	PRODUCT SPECIFICATION
MIL-STD-348B, FIG. 326.5	INTERFACE
SPECIFICATION	DESCRIPTION

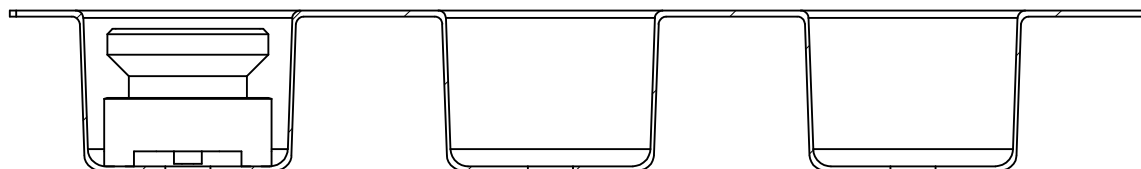
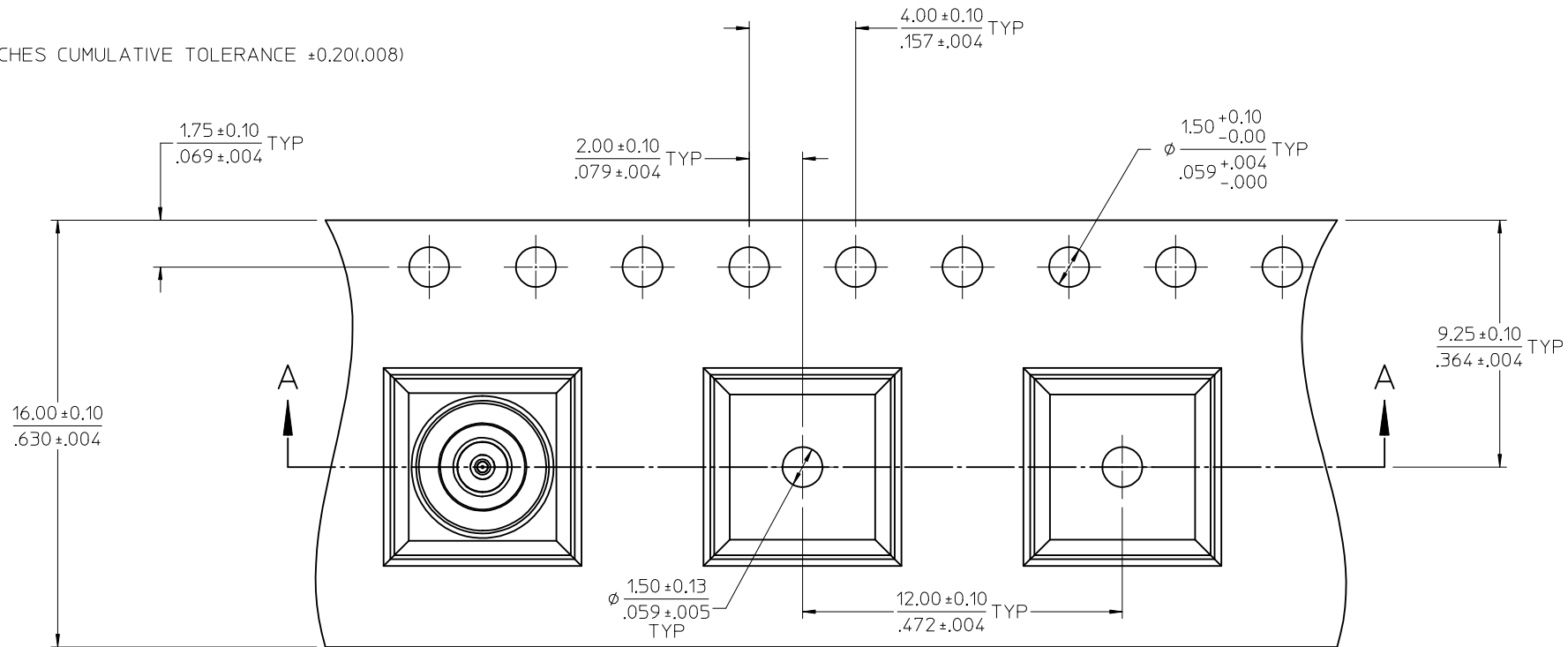
CHG: ADD TOLERANCE TO DIM 1.75/.069 IN E5 ZONE UPD MATERIALS AND FINISHES NOTE. EC NO: URF2017-0403 DRW:APRAKASH01 2017/06/02 CHKD:888 2017/06/02 APPR:AR0BERTSON 2017/06/29	QUALITY SYMBOLS	∇=0 ∇=0 ∇=0
	DESCRIPTION	B6

GENERAL TOLERANCES (UNLESS SPECIFIED)	
	mm INCH
4 PLACES ± ---	± ---
3 PLACES ± ---	± .010
2 PLACES ± 0.25	± ---
1 PLACE ± ---	± ---
0 PLACE ± ---	± ---
ANGULAR ± 2 °	
DRAFT WHERE APPLICABLE MUST REMAIN WITHIN DIMENSIONS	

DIMENSION STYLE	
MM/IN	
DRAWN BY	DATE
TEF	2003/04/24
CHECKED BY	DATE
SSS	2003/04/24
APPROVED BY	DATE
GMH	2003/04/24
MATERIAL NO.	734154230
SIZE	C

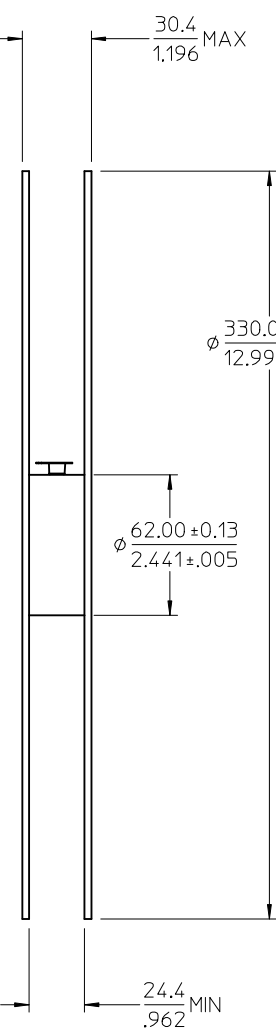
SCALE	DESIGN UNITS	THIRD ANGLE PROJECTION
	METRIC	
TITLE		
SMP PLUG,W/MOD. CATCHERS		
MITT,SMT,50 OHM,EWR-1993		
SMP-P/PCB		
<b>molex</b>		
DOCUMENT NO.	SD-73415-423	SHEET NO.
		1 OF 3
THIS DRAWING CONTAINS INFORMATION THAT IS PROPRIETARY TO MOLEX INCORPORATED AND SHOULD NOT BE USED WITHOUT WRITTEN PERMISSION		

NOTE:  
1. 10 PITCHES CUMULATIVE TOLERANCE ±0.20(.008)

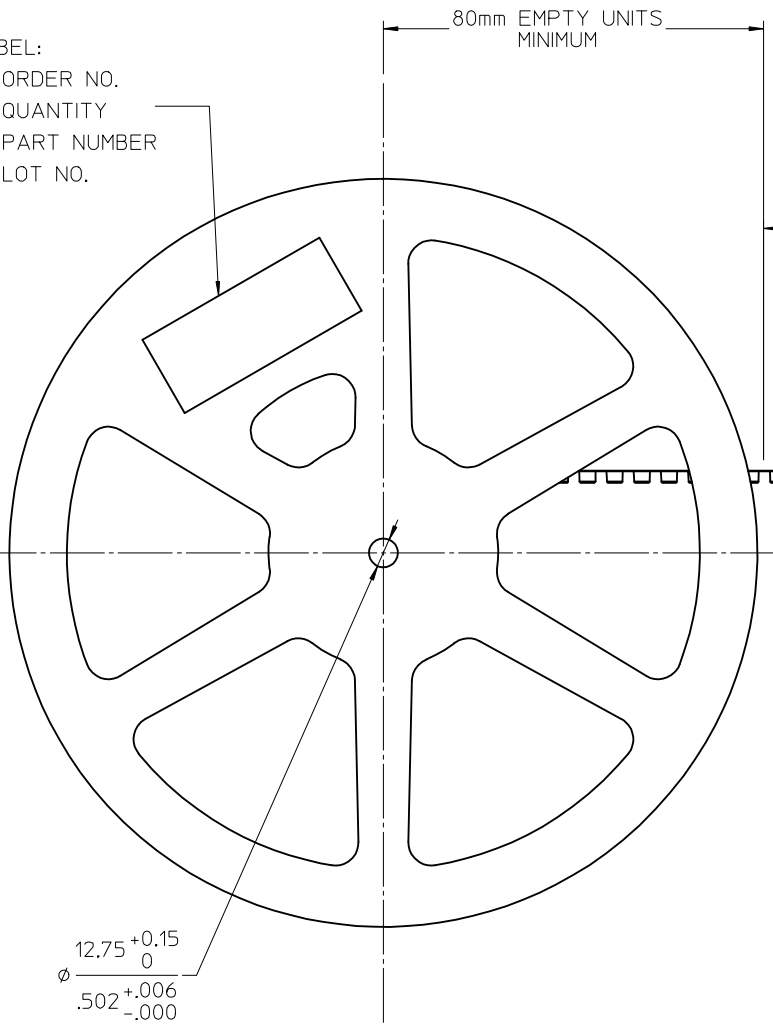


SECTION A-A

CHG: SEE SHEET 1 EC NO: URF2017-0403 DRWN:APRAKASH01 2017/06/02 CHKD:BBB 2017/06/02 APPR:AROBERTSON 2017/06/29 REV B6	QUALITY SYMBOLS ▽=0 ▽=0 ▽=0	GENERAL TOLERANCES (UNLESS SPECIFIED)		DIMENSION STYLE MM/IN		SCALE	DESIGN UNITS METRIC	THIRD ANGLE PROJECTION		
		4 PLACES ± --- ± ---	3 PLACES ± --- ± .010	DRAWN BY TEF	DATE 2003/04/24	TITLE SMP PLUG,W/MOD. CATCHERS MITT,SMT,50 OHM,EWR-1993 SMP-P/PCB		MATERIAL NO. 734154230		SHEET NO. 2 OF 3
		2 PLACES ± 0.25 ± ---	1 PLACE ± --- ± ---	CHECKED BY SSS	DATE 2003/04/24	APPROVED BY GMH		DATE 2003/04/24		DOCUMENT NO. SD-73415-423
		0 PLACE ± --- ± ---	ANGULAR ± 2 °	DRAFT WHERE APPLICABLE MUST REMAIN WITHIN DIMENSIONS		THIS DRAWING CONTAINS INFORMATION THAT IS PROPRIETARY TO MOLEX INCORPORATED AND SHOULD NOT BE USED WITHOUT WRITTEN PERMISSION				



LABEL:  
 - ORDER NO.  
 - QUANTITY  
 - PART NUMBER  
 - LOT NO.



$12.75^{+0.15}_0$   
 $\phi .502^{+.006}_{-.000}$

CHG: SEE SHEET 1	DESCRIPTION	QUALITY SYMBOLS
EC NO: URF-2017-0403	2017/06/02	$\nabla = 0$
DRWN: PRAKASH01	2017/06/02	$\nabla = 0$
CHKD: 888	2017/06/02	$\nabla = 0$
APPR: ARBERTSON	2017/06/29	
REV		
B6		

GENERAL TOLERANCES (UNLESS SPECIFIED)	
mm	INCH
4 PLACES ± .---	± .---
3 PLACES ± .---	± .010
2 PLACES ± 0.25	± .---
1 PLACE ± .---	± .---
0 PLACE ± .---	± .---
ANGULAR ± 2 °	
DRAFT WHERE APPLICABLE MUST REMAIN WITHIN DIMENSIONS	

DIMENSION STYLE	
MM/IN	
DRAWN BY	DATE
TEF	2003/04/24
CHECKED BY	DATE
SSS	2003/04/24
APPROVED BY	DATE
GMH	2003/04/24
MATERIAL NO.	
734154230	

SCALE	DESIGN UNITS	THIRD ANGLE PROJECTION
	METRIC	$\nabla$
TITLE		
SMP PLUG,W/MOD. CATCHERS		
MITT,SMT,50 OHM,EWR-1993		
SMP-P/PCB		
<b>molex</b>		
DOCUMENT NO.	SHEET NO.	
SD-73415-423	3 OF 3	
THIS DRAWING CONTAINS INFORMATION THAT IS PROPRIETARY TO MOLEX INCORPORATED AND SHOULD NOT BE USED WITHOUT WRITTEN PERMISSION		