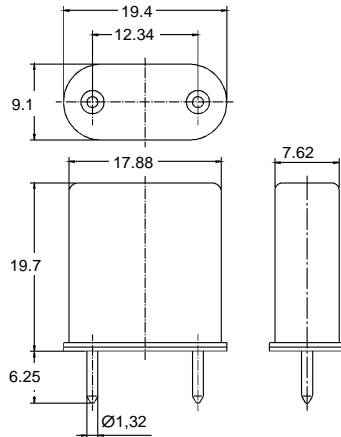


# HC-48/U

## Quartz Crystal Units AT-Cut, 0.8 - 300 MHz



DIN 45110: K3A  
 IEC 122-3: DN  
 NFC-93-601: n<sup>o</sup> 3A  
 MIL-H-10056: HC-48/U  
 Welded metal enclosure  
 (inert atmosphere)  
 with pins

All dimensions in mm (max)

HC-48/U			Temperature in the Temperature Range						Nom. Temp. ± 5°C <sup>1)</sup>
			-55°C...+105°C		-20°C...+70°C				
Overtone	Frequency [MHz]	Type	± 50ppm	± 25ppm	± 20ppm	± 10ppm	± 7ppm	± 5ppm	± 2ppm
1.OT	0.8...3.0	XS 06xx	01	----	03	----	06	----	05
	3.0...8.0	XS 06xx	01	02	03	04	06	----	05
	8.0...30	XS 08xx	01	02	03	04	06	07	05
3.OT	15...90	XS 09xx	01	02	03	04	06	07	05
5.OT	40...150	XS 10xx	01	02	03	04	06	07	05
7.OT	100...210	XS 11xx	01	02	03	04	06	07	05
9.OT	150...300	XS 11xx	11	12	13	14	16	17	15

**Calibration tolerance: ±10 ppm**

<sup>1)</sup>Nom. Temp. = Nominal temperature for oven application to be given with the order.

### Motional Resistance R1

Overtone	Frequency [MHz]	R1max [Ω]
1. OT	0.8...1.5	800
1. OT	1.5...2.0	500
1. OT	2.0...3.0	200
1. OT	3.0...5.0	80
1. OT	5.0...8.0	40
1. OT	8.0...15	30
1. OT	15...30	20
3. OT	15...90	40
5. OT	40...150	60
7. OT	100...210	100
9. OT	150...300	180

Standard resonance for fundamental crystals: load resonance with  $C_L = 30 \pm 0.5\text{pF}$   
 Overtone crystals: series mode  
 Shunt capacitance:  $C_0 = 7\text{pF max}$

Crystal units with different tolerances or additional data upon request.

### Modifications:

HC-48/U-S; 0.8 - 1,5MHz: 6-point mounting for exposure to extreme accelerations (shock and vibration).



**VECTRON**  
INTERNATIONAL

A DOVER TECHNOLOGIES COMPANY

166 Glover Avenue  
Norwalk, CT 06856

Tel: 1-88-VECTRON-1  
 Fax: 1-888-FAX-VECTRON  
 www.vectron.com