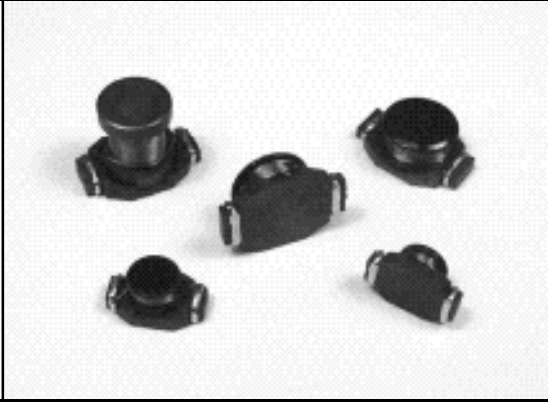


Standex Electronics

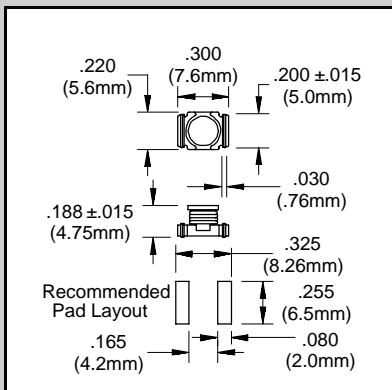
SB Series SMT Bobbin Inductors

Standex SMT Power Inductors

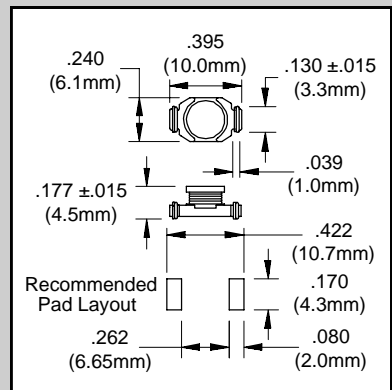
- Low loss ferrite core material
- Ideal for high frequency switching regulators
- Low DC resistance for high efficiency requirements
- Low cost, compact design
- Self-lead terminals provide superior reliability
- Operating temperature range: -40°C to 125°C
- Tape and reel packaging for pick & place assembly
- Additional sizes and values are available



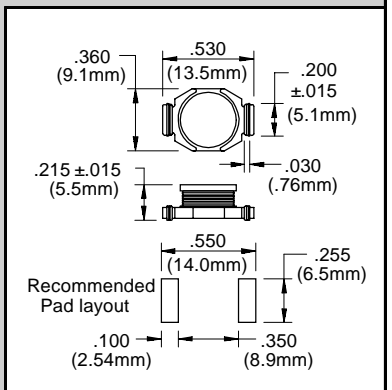
SB3019 Series



SB4018 Series



SB5322 Series



Inductance ¹ μH ±20%	Part Number ²	DCR Ω Nom.	10% Sat. Amps
1.0	SB3019102	0.02	6.00
1.5	SB3019152	0.02	4.50
2.2	SB3019222	0.03	4.00
3.3	SB3019332	0.04	3.20
4.7	SB3019472	0.05	2.70
6.8	SB3019682	0.06	2.30
10	SB3019103	0.08	1.90
15	SB3019153	0.12	1.50
22	SB3019223	0.17	1.20
33	SB3019333	0.25	1.00
47	SB3019473	0.35	0.85
68	SB3019683	0.49	0.75
100	SB3019104	0.72	0.60
150	SB3019154	1.10	0.50
220	SB3019224	1.50	0.40
330	SB3019334	2.30	0.33
470	SB3019474	3.20	0.28
680	SB3019684	4.70	0.23
1000	SB3019105	6.80	0.20

Part Number ²	DCR Ω Nom.	10% Sat. Amps
SB4018102	0.01	10.00
SB4018152	0.02	9.00
SB4018222	0.02	7.00
SB4018332	0.03	6.00
SB4018472	0.05	5.00
SB4018682	0.06	4.00
SB4018103	0.10	3.50
SB4018153	0.14	3.30
SB4018223	0.21	2.60
SB4018333	0.30	2.20
SB4018473	0.42	1.80
SB4018683	0.60	1.50
SB4018104	0.88	1.20
SB4018154	1.30	1.00
SB4018224	1.90	0.85
SB4018334	2.80	0.70
SB4018474	4.00	0.58
SB4018684	5.80	0.48
SB4018105	8.40	0.40

Part Number ²	DCR Ω Nom.	10% Sat. Amps
SB5322102	0.01	10.00
SB5322152	0.01	8.00
SB5322222	0.02	7.00
SB5322332	0.02	5.50
SB5322472	0.02	5.00
SB5322682	0.03	4.10
SB5322103	0.03	3.30
SB5322153	0.04	2.70
SB5322223	0.05	2.20
SB5322333	0.07	1.80
SB5322473	0.12	1.50
SB5322683	0.17	1.20
SB5322104	0.24	1.00
SB5322154	0.35	0.80
SB5322224	0.51	0.70
SB5322334	0.76	0.55
SB5322474	1.05	0.45
SB5322684	1.51	0.40
SB5322105	2.20	0.33

1. Custom values available upon request

2. Add to the part number: "B" for bulk pack or "T" for tape & reel