

Rev	AWO #	Description	Date	Appr
-		RELEASED	11/12/08	

6

5

4

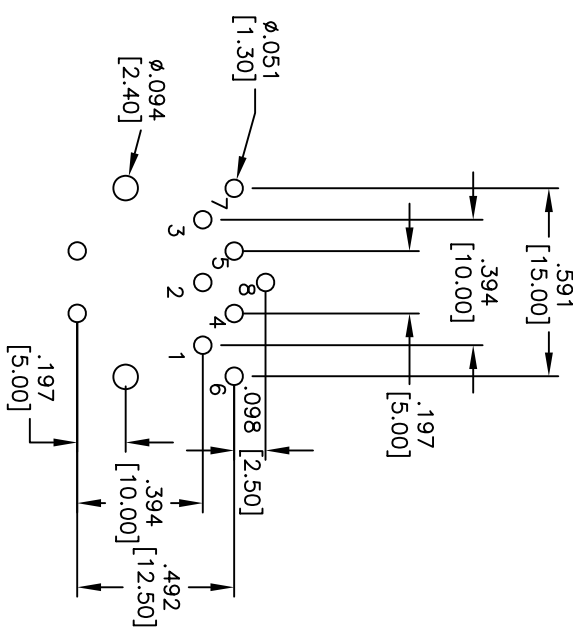
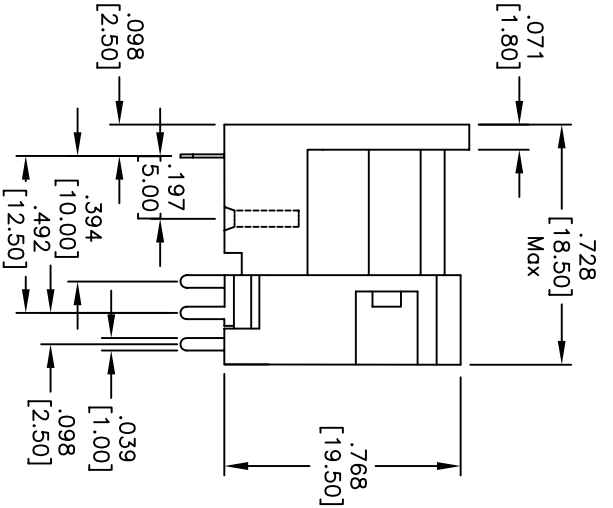
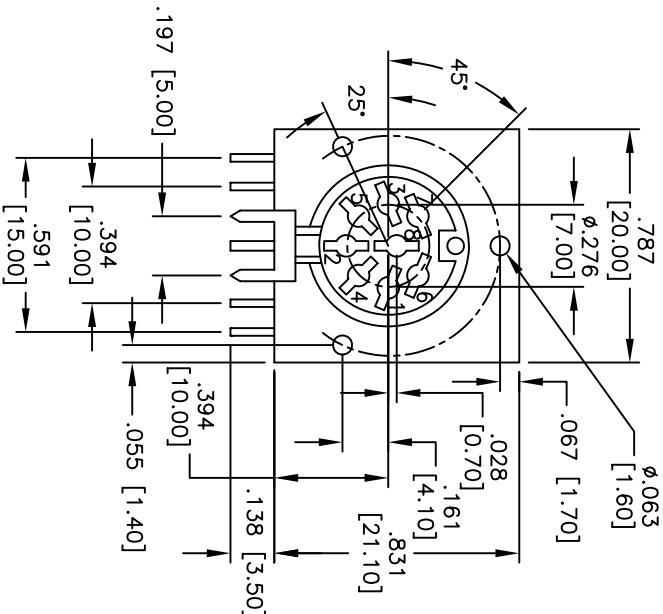
3

2

1

APPROVED: _____

DATE: _____ TITLE: _____



RECOMMENDED PCB LAYOUT
(TOP VIEW)

MATING FACE CONFIGURATIONS

DJ-004-.5-3H	DJ-005-.5-3H	DJ-006-.5-3H	DJ-007-.5-3H	DJ-008-.5-3H

SPECIFICATIONS:

Material:
Insulator: PBT, Glass filled, rated UL 94V-0
Insulator color: Black
Contacts: Brass
Plating:
Tin over Copper underplate overall

Electrical:

Operating voltage: 24 VDC max.
Current rating: 1 Amps max.
Contact resistance: 20 mohms max. initial
Insulation resistance: 100 Mohms @ 500V DC
Dielectric withstanding voltage: 500 VAC for 1 minute
Temperature Rating:
Operating temperature: -25°C to +100°C

Environmental:

Lead free, RoHS compliant.
Recommended soldering temp: 235°C for 5 sec.



ADAM TECH

909 Railway Avenue, Union, NJ 07083
Phone: 908-687-5000 Fax: 908-687-5710

TITLE: DIN JACK, NON-SHIELDED, 3 HOLES
[.197 [5.00] CENTERLINE FRONT PINS

UNLESS OTHERWISE SPECIFIED ALL DIMENSIONS ARE INCHES [MM] TOLERANCES: EXCEPT AS NOTED INCHES		HOLE SIZE	
.X ± .10	ØXX ± .10	ØXX ± .10	ØXXX ± .015
.XX ± .020	ØXXX ± .015	ØXXX ± .010	
.XXX ± .015	DATE		
APPROVALS			
DRAWN	DY	11/12/08	
CHECKED			
APPROVED			
SIZE	PART NO.	DJ-XXX-5-3H	REV.
X			
REF: S00028T	SCALE: NTS	SHEET 1 OF 1	

A

B

C

D

A

B

C

D

6

5

4

3

2

1