

MECHANICAL

1. Materials
All metal parts except contact:
Corrosion resisting steel per
QQ-S-764
Contact: Beryllium copper per
QQ-C-530, Cond. HT
Dielectric: Teflon per MIL-P-19468
2. Plating
All metal parts except contact: Gold
per MIL-G-45204, Type II, Class I
over Nickel per MIL-C-26074
Contact: Gold per MIL-G-45204
Type II, Class 2 over copper per
MIL-C-14450, Class 4.

ELECTRICAL

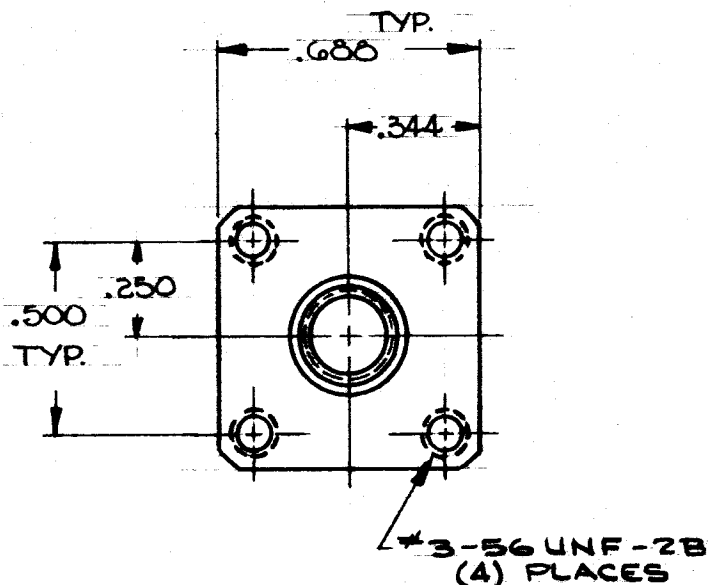
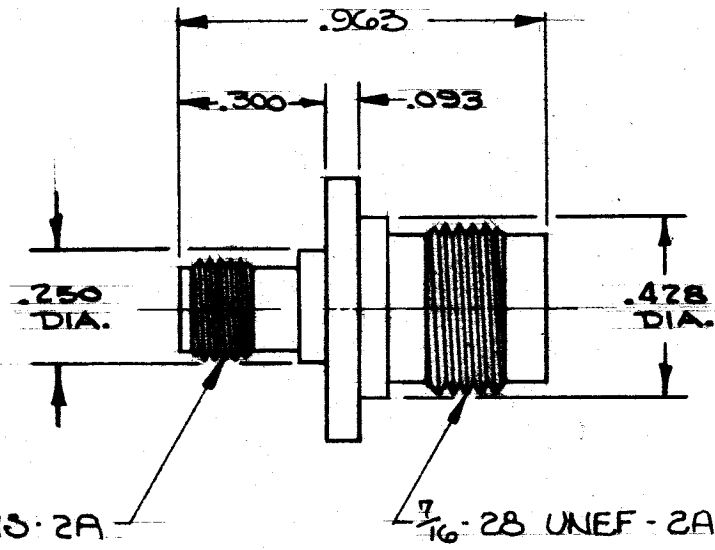
1. Voltage - 1000 volts rms, 60 cps
2. Impedance - 50 ohms nominal

ENVIRONMENTAL

1. Weatherproof
2. Temperature range - -65 degrees F
to + 260 degrees F.

REDESIGN

PROPERTY OF SOLITRON



ACCOMMODATES .187 PANEL

TOLERANCES— UNLESS DECIMALS $\pm .005$
OTHERWISE SPECIFIED— FRACTIONS $\pm 1/64$

ANGULAR $\pm 1^\circ$

ENGINEERING DATA DRAWING

SOLITRON/MICROWAVE
PORT SALERNO, FLORIDA

2900 female to PTNC female panel adapter

DWN
EGKDATE
3/12/70SCALE
None

1102-6002