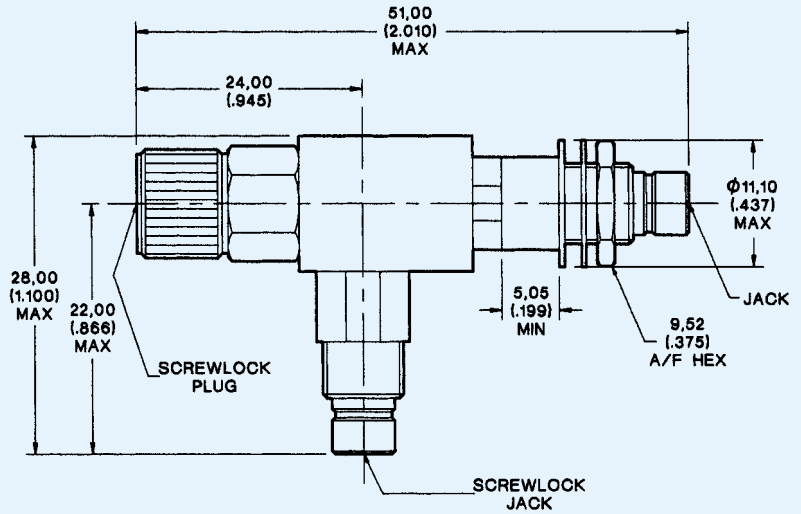


Adaptors

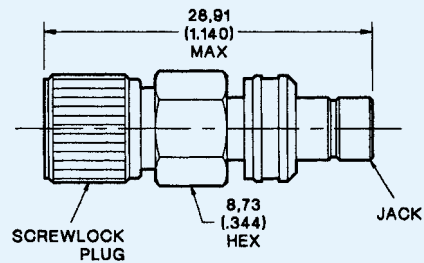
30 dB Test Port Adaptor

Part Number
055-185-9029C90



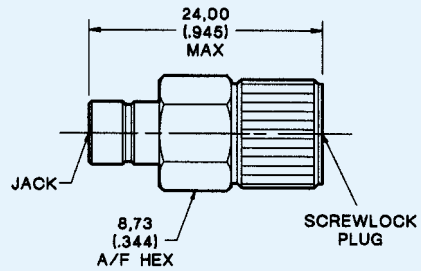
Jack to Screw-Lock Plug Filter Adaptor

Part Number
055-174-9019A90



Jack to Screw-Lock Plug Adaptor

Part Number
051-174-9019220



Screw-Lock Plug to Snap-On Plug Adaptor

Part Number
051-173-9009220

