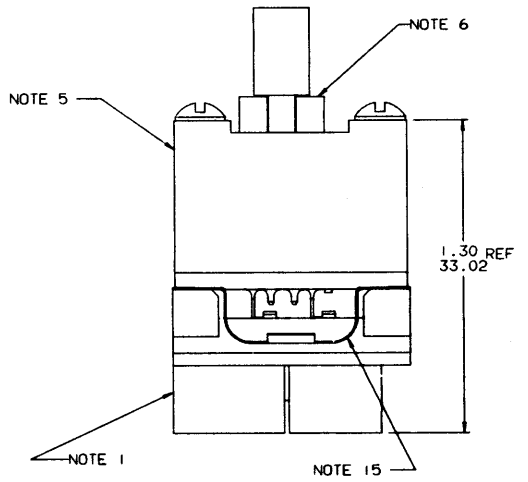
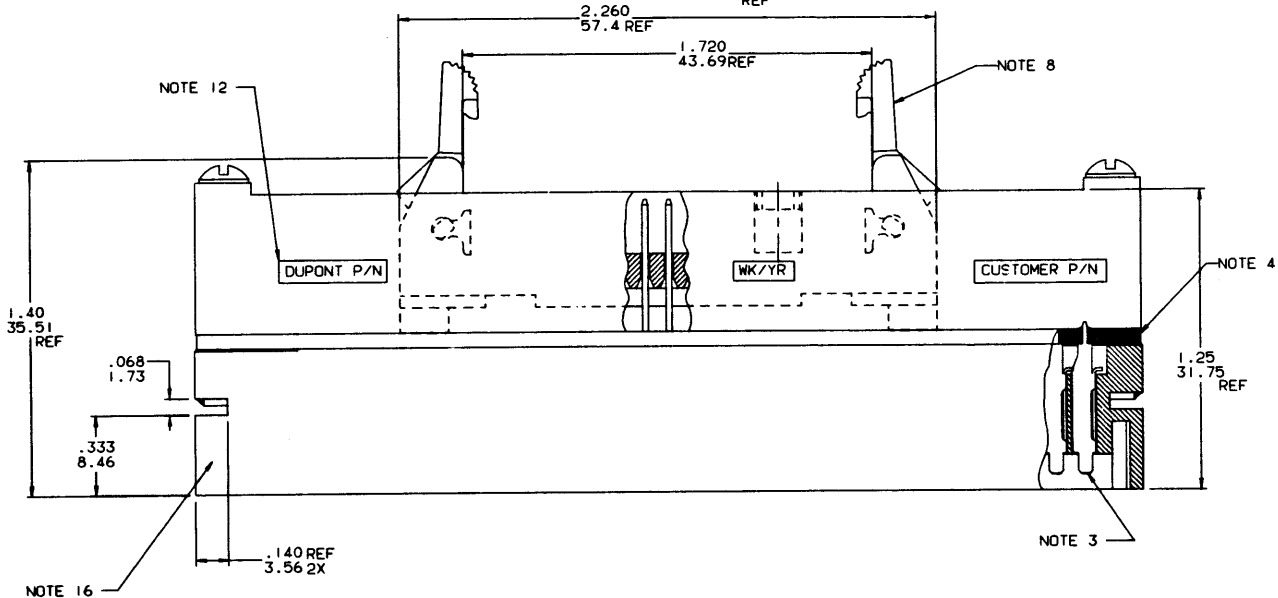
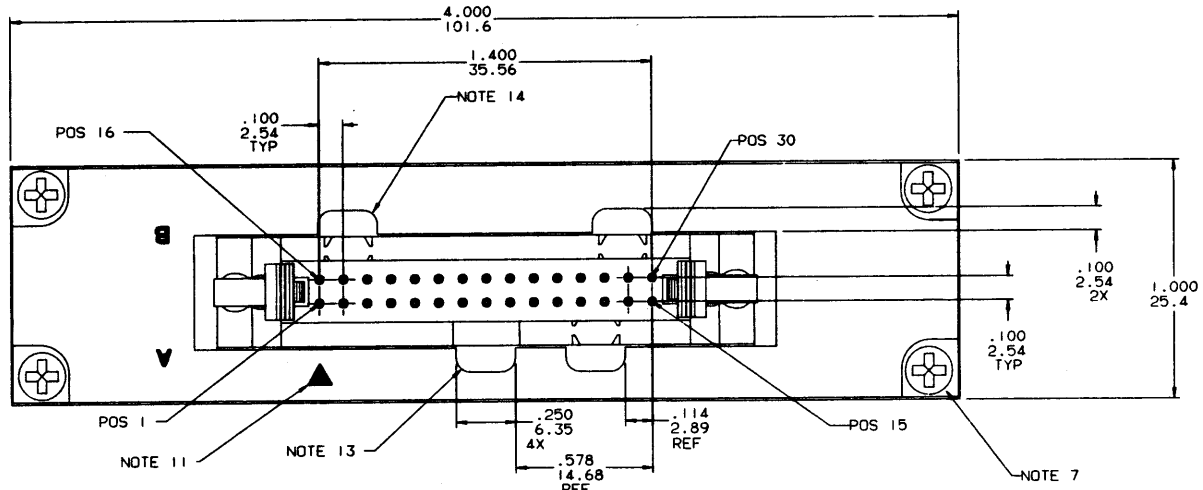


PRODUCT NO
SEE TABLE

REVISIONS			
REV	DESCRIPTION	BY	DATE
A	APPROVED & REDRAWN	JM	5/7/90
B	ADD -003 & PAGE 4	JM	1/7/91
C	OBS. -003 & PAGE 4	JM	10/16/91



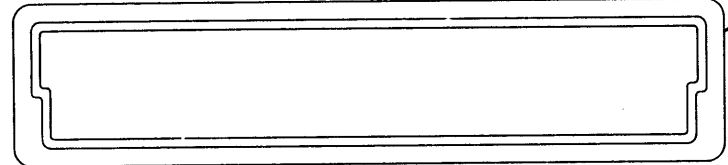
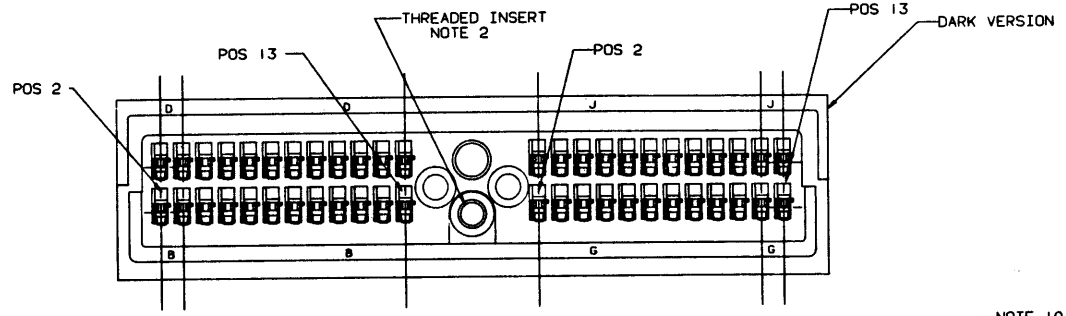
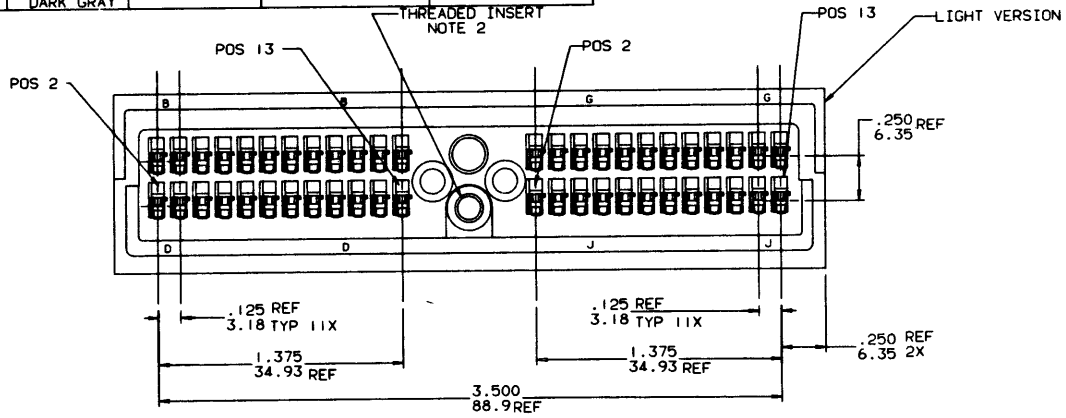
SHEET INDEX	ISSUE SH NO	C	C	A	DATE	DR	CHK	ENGR	APPD	DATE	TITLE	SCALE	SIZE	DWG NO	CAD	SHEET
		1	2	3	5/7/90	J. WALDEN	J. WALDEN	J. WALDEN	J. WALDEN	5/7/90	30 POS GROUND CLIP ADAPTER	4/1	D	87312		1 OF 3

NOTE: This print is the property of and embodies proprietary designs of THE DUPONT COMPANY. No part of the design shown on this print may be used in any way without the written consent of DUPONT ELECTRONICS, New Cumberland, PA.

PRODUCT NO	NOTE 1 HOUSING TYPE AND COLOR	BACK COVER COLOR NOTE 5	WIRING SCHEMATIC TYPE NOTE 9	CUSTOMER P/N NOTE 12
87312-001	METALLIZED LIGHT GRAY	LIGHT GRAY	TYPE 1	34F5158
87312-002	METALLIZED DARK GRAY	DARK GRAY	TYPE 2	34F5159
87312-003	METALLIZED DARK GRAY	DARK GRAY	TYPE 3	69F4874

OBSOLETE

REVISIONS			
REV	DESCRIPTION	BY	DATE
C			



NOTES:

- THE HOUSING IS MADE FROM UNFILLED POLYCARBONATE WITH A FLAMMABILITY RATING OF 94V-0. THE COLOR IS DEFINED IN PART NUMBER CHART.
- THE THREADED INSERT IS A #8-32 UNC 2B STAINLESS STEEL INSERT.
- THE TERMINALS ARE MADE FROM PHOSPHOR BRONZE. THEY ARE PLATED WITH 30µ"/.76µM GOLD OVER 50µ"/1.27µM NICKEL IN THE CONTACT AREA.
- THE PRINTED CIRCUIT BOARD IS MADE FROM .062/1.57 THICK COPPER CLAD GLASS FIBER BASE EPOXY RESIN.
- THE BACK COVER IS MADE FROM POLYCARBONATE WITH A FLAMMABILITY RATING OF 94V-0. THE COLOR IS DEFINED IN PART NUMBER CHART.
- THE HEADER USED IN THIS ASSEMBLY IS A 30 POS HEADER ON A .100/2.54 * .100/2.54 GRID. THE HOUSING MATERIAL IS GLASS FILLED POLYESTER WITH A FLAMMABILITY RATING OF 94V-0. THE COLOR IS BLACK. THE PINS ARE MADE FROM 3/4 HD. PHOSPHOR BRONZE WITH 30µ"/.76µM GOLD OVER 50µ"/1.27µM NICKEL.
- THE ASSEMBLY IS HELD TOGETHER WITH SELF-TAPPING SCREWS.
- LONG LOCKING LATCHES ARE USED ON ASSEMBLIES WHERE IN THE CLOSED POSITION THE LATCH LOCKS AT .570/14.48.
- THE SERPENT CONTACT TO HEADER CONFIGURATION IS SUMMARIZED IN THE WIRING SCHEMATICS CHARTS.
- ALL CONNECTORS ARE SHIPPED WITH A FRONT DUST COVER. THE COVER IS MADE FROM PVC WITH A FLAMMABILITY RATING OF 94V-0. THE COLOR IS CLEAR.
- THE TRIANGLE ON THE BACKCOVER INDICATES PIN POS. NO. 1.
- DUPONT P/N, WK/YR OF MFG AND CUSTOMER P/N TO BE PRINTED IN AREA INDICATED.
- THE CENTER TAB KEY MUST BE REMOVED AT ALL TIMES.
- BREAKAWAY SLOTS (3) FOR PROGRAMMABLE KEYS.
- THE GROUNDING CLIP IS LOCATED BETWEEN THE P.C.B. AND THE METALLIZED HOUSING. THE CLIP IS HELD IN PLACE BY THE SELF-TAPPING SCREWS.
- ELECTRICAL TESTER VERIFICATION MARK LOCATED ON THIS SURFACE.

SHEET INDEX		ISSUE SH NO	TOLERANCE UNLESS OTHERWISE NOTED		MATERIAL		DATE		CUSTOMER COPY		
		I	.001, .01, .01, .3		XXXXXX		5/7/90		CODE IDENT 22526		
MODEL		DO NOT SCALE DRAWING		LINEAR		DR J. MUSTARD		DATE		TITLE	
XXXX				.0001, .0020, .0001, .051		CHK J. WALDEN		5/7/90		30-POS GROUND CLIP ADAPTER	
TABULATION SHEETS REQUIRED		YES NO		THIRD ANGLE PROJECTION		ENGR J. WALDEN		5/7/90		SCALE SIZE DWG NO CAD	
YES NO				INCH MM		APPD J. WALDEN		5/7/90		3/1 D 87312 SHEET 2	
				ANGLES 0° ± 2°							

NOTE: This print is the property of and embodies proprietary designs of THE DUPONT COMPANY. No part of the design shown on this print may be used in any way without the written consent of DUPONT ELECTRONICS, New Cumberland, Pa.

PRODUCT NO
SEE TABLE

87312-001

LIGHT

TYPE - 1

FROM SERPENT PIN	TO HEADER PIN	FROM SERPENT PIN	TO HEADER PIN
B 2	GROUND	D 2	GROUND
3	1	3	GROUND
4	GROUND	4	5
5	2	5	GROUND
6	GROUND	6	20
7	GROUND	7	GROUND
8	17	8	GROUND
9	GROUND	9	6
10	18	10	GROUND
11	GROUND	11	22
12	4	12	GROUND
B 13	GROUND	D 13	8
G 2	GROUND	J 2	GROUND
3	9	3	GROUND
4	GROUND	4	27
5	24	5	GROUND
6	GROUND	6	13
7	GROUND	7	GROUND
8	10	8	GROUND
9	GROUND	9	14
10	26	10	GROUND
11	GROUND	11	29
12	12	12	GROUND
G 13	GROUND	J 13	30

- THE FOLLOWING ON THE HEADER MUST GO TO GROUND:
3, 7, 11, 15, 16, 19, 21, 23, 25, 28
- THE FOLLOWING POSITIONS ON THE SERPENT MUST GO TO GROUND:
B2, B4, B6, B7, B9, B11, B13, D2, D3, D5, D7, D8, D10, D12, G2, G4, G6, G7, G9, G11, G13, J2, J3, J5, J7, J8, J10, J12

87312-002

DARK


TYPE - 2

FROM SERPENT PIN	TO HEADER PIN	FROM SERPENT PIN	TO HEADER PIN
B 2	GROUND	D 2	GROUND
3	1	3	GROUND
4	GROUND	4	5
5	2	5	GROUND
6	GROUND	6	20
7	GROUND	7	GROUND
8	17	8	GROUND
9	GROUND	9	6
10	18	10	GROUND
11	GROUND	11	22
12	4	12	GROUND
B 13	GROUND	D 13	8
G 2	GROUND	J 2	GROUND
3	9	3	GROUND
4	GROUND	4	27
5	24	5	GROUND
6	GROUND	6	13
7	GROUND	7	GROUND
8	10	8	GROUND
9	GROUND	9	14
10	26	10	GROUND
11	GROUND	11	29
12	12	12	GROUND
G 13	GROUND	J 13	30

- THE FOLLOWING ON THE HEADER MUST GO TO GROUND:
3, 7, 11, 15, 16, 19, 21, 23, 25, 28
- THE FOLLOWING POSITIONS ON THE SERPENT MUST GO TO GROUND:
B2, B4, B6, B7, B9, B11, B13, D2, D3, D5, D7, D8, D10, D12, G2, G4, G6, G7, G9, G11, G13, J2, J3, J5, J7, J8, J10, J12

REVISIONS

REV	DESCRIPTION	BY	DATE
A			

SHEET INDEX		ISSUE SH NO 1		TOLERANCE UNLESS OTHERWISE NOTED INCH/MM		MATERIAL		DR J. MUSTARD DATE 5/7/90		CUSTOMER COPY			
MODEL		DO NOT SCALE DRAWING		.00x.01/.0x.3		FINISH		CHK J. WALDEN 4/15/89		CODE IDENT 22526			
TABULATION SHEETS REQUIRED		YES NO		THIRD ANGLE PROJECTION		LINEAR .0001-.005/.001-.13		ENGR J. WALDEN 4/15/89		SCALE SIZE DWG NO 4/1 D 87312		CAD SHEET 3	
				INCH MM		ANGLES 0° ±2°		APPD J. WALDEN 4/15/89					

NOTE: This print is the property of and contains proprietary designs of THE DUPONT COMPANY. No part of the design shown on this print may be used in any way without the written consent of DUPONT ELECTRONICS, New Cumberland, PA.