

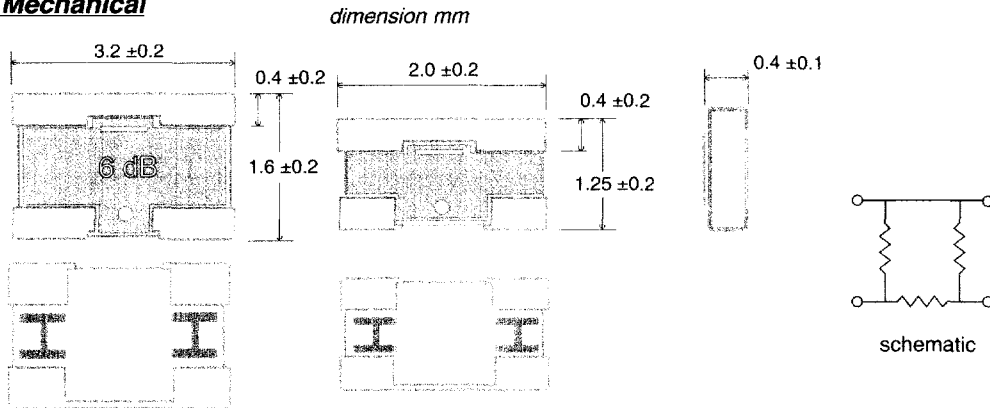
Thin Film Chip Attenuators

PAT Series

1.0 Application

These 3042, 1632, and 1220 size chip attenuators exhibit excellent high frequency characteristics. The surface mount package is ideal for low noise, inductance and parasitic capacitance applications. Thin film metallization provides for very stable characteristics over temperature and time.

2.0 Mechanical



3.0 Electrical

Type	PAT 3042		PAT 1632	PAT 1220
Attenuation	1-10dB, 16dB, 20dB		0-10dB, 16dB	1-10dB
Attenuation tolerance	± 0.3 dB, ± 0.5 @ 16 dB			
Impedance (code)	50 ohm (C)	75 ohm (D)	50 ohm (C)	
VSWR	1.2	1.3	1.2	1.3
Frequency range	DC to 3 GHz	DC to 2 GHz	DC to 2.5 GHz	DC to 10 GHz
Power rating	250 mW		125 mW	100 mW
Rated operation temp.	70°C			
Operating temp. range	- 55°C to +125°C			

4.0 Part Number

