

SH NO.

M CODE

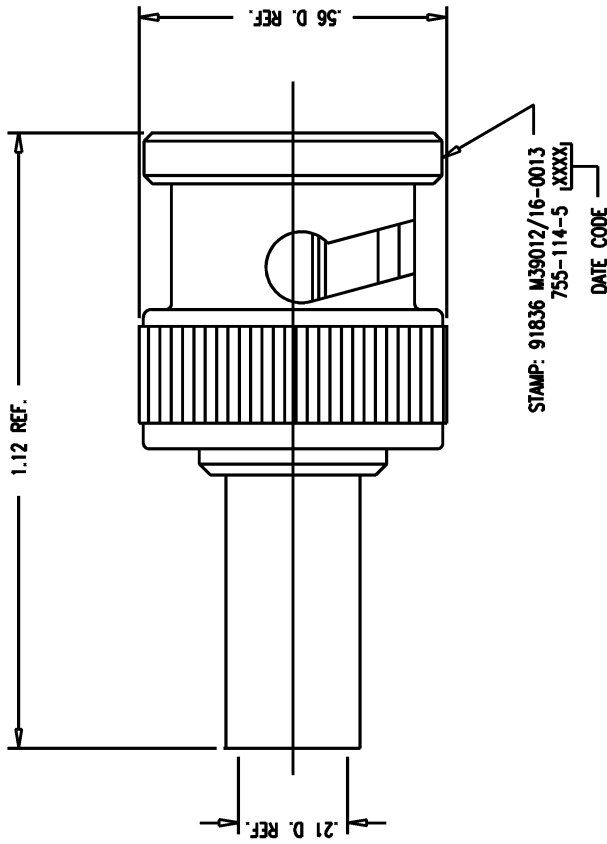
MADE FROM

GSD

M39012/16-0013

REVISIONS

ISSUE	CHANGES
0	ER 38996 DCT 1/15/4
1	CN 39116 E DCT 7/12/4



NOTES:

1. FOR USE WITH RG-58 AND 141/U CABLE GROUPS.
2. FOR CABLING INSTRUCTIONS SEE CP-465.
3. FOR CRIMPING USE DIE K1H-2001.
4. INTERFACE PER MIL-STD-348, FIG. 301-1.
5. CENTER CONTACT TO BE SUPPLIED UNASSEMBLED.
6. MATERIALS:
INSULATOR: TEFLON, ASTM-D4894
GASKET: SILICONE RUBBER, A-A-59588
SPRING WASHER: BER. COP. ASTM-B-196
OUTER CONTACT: BER. COP. ASTM-B-196
CRIMP SLEEVE: COMM. BRONZE ASTM-B16, H02
ALL OTHER METAL PARTS: BRASS, ASTM-B36
7. FINISHES:
CENTER CONTACT: GOLD PLATE PER ASTM-B488
ALL OTHER METAL PARTS: SILVER PLATE PER ASTM-B700
8. ELECTRICAL CHARACTERISTICS:
NOMINAL IMPEDANCE: 50 OHM
FREQUENCY RANGE: DC TO 4 GHz
VOLTAGE RATING: 500 VOLTS RMS

SCALE 4:1

APPROX SURFACE AREA

755-114-5

USED ON

REF:

PLUG, BNC

DRAWN DCT DATE 1/8/4

DESIGN DCT DATE 10/24/3

APPR. DATE

W. KINGS
ELECTRONICS CO., INC.
ROCK HILL, SOUTH CAROLINA 29730

M39012/16-0013

GSD