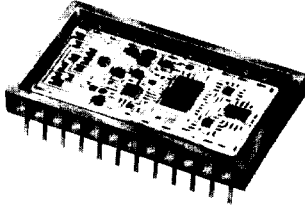


HIGH SPEED 8 BIT A/D CONVERTER



Actual Size

DESCRIPTION AND APPLICATIONS

The DDC 5101 is a very high speed, 8 bit, successive approximation A/D converter, packaged in a 24 pin hermetic double DIP. All specifications are met with a conversion time of 900 nsec. Linearity error of 1/2 LSB and no missing codes are guaranteed over the entire operating temperature range. Functional laser trimming of a thin film resistor network results in extremely accurate and highly stable adjustment-free performance (See figure 1).

The DDC 5101 provides 9 user selectable input ranges, as well as 0°C to +70°C or -55°C to +85°C temperature ranges. The DDC 5101 is a pin for pin replacement for the MN5101 A/D Converter.

Because of its high reliability, hermetically sealed small package, and adjustment free operation over a wide temperature range, the DDC 5101 is ideally suited for the most demanding military and industrial requirements. Typical applications include systems for radar signal digitizing, high speed data acquisition and electronic countermeasures.

FEATURES

- PIN FOR PIN REPLACEMENT FOR MN5101
- HIGH SPEED CONVERSION
900 nsec Max
- 24 PIN HERMETIC DOUBLE DIP
- ±1/2 LSB LINEARITY
No Missing Codes Over Temperature
- ADJUSTMENT FREE
- AVAILABLE SCREENED IN ACCORDANCE WITH MIL-STD-883

*Metal
Trim
Laser
@
DDC*

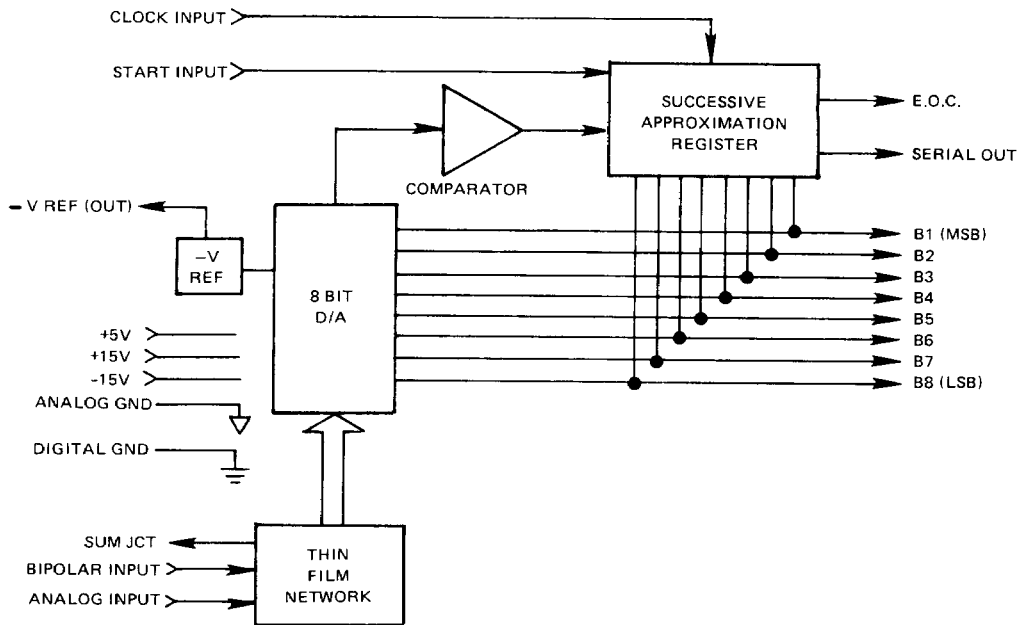


FIGURE 1. BLOCK DIAGRAM

SPECIFICATIONS				
PARAMETER	UNITS	VALUE		
RESOLUTION	bits	8		
ACCURACY & DYNAMICS		MIN	TYP	MAX
Absolute Accuracy* +25° C	LSB			±½
0 to +70° C (-3)	LSB			±1
-55 to +85° C (-1)	LSB			±2
Linearity 0 to +70° C (-3)	LSB			±½
-55 to +85° C (-1)	LSB			±½
Conversion Time (see * in Technical Information)	ns			900
* Absolute Accuracy includes Gain, Linearity and Drift Errors.				
ANALOG INPUTS			Unipolar Inputs	
Unipolar Ranges	V	0 to ±5	0 to ±10	0 to ±20
Input Voltage	Ω	1.5K	3.0K	6.0K
Input Impedance (ohms)			Bipolar Inputs	
Bipolar Ranges	V	±2.5	±5.0	±10.0
Input Voltage	Ω	1.5K	3.0K	6.0K
Input Impedance (ohms)	V			+25
Maximum Input Without Damage				
DIGITAL INPUT/OUTPUT		2.0V		
Threshold Logic Levels		0.8V		
Logic "1" Input				
Logic "0" Input				
Clock Input	MHz	8.8 must have drive capability of 1 Std. TTL Load		
Frequency		2 Std. TTL Loads. Start Conversion pulse duration must be a 25 nsec min		
Start Conversion Input		Positive logic, bits 1 through 8		
8 Bit Parallel Output		Non return zero (NRZ)		
Serial Data Output		5 Std. TTL Loads		
Drive Capability		Complementary Binary		
Digital Coding		Complementary Offset Binary		
Unipolar Ranges				
Bipolar Ranges				
POWER SUPPLY CHARACTERISTICS				
Power Supply Range	V	+15 ± 3%	-15 ± 3%	+5 ± 5%
Current	mA	24 typ, 27 max	16 typ, 25 max	89 typ, 125 max
Power Supply Rejection	%F.S.R./%P.S.	±0.01 typ	±0.03 typ	±0.01 typ
Power Consumption	mW	1045 typ, 1405 max		
PHYSICAL CHARACTERISTICS		1.3 x 0.8 x 0.2 (34 x 21 x 5 mm)		
Size	in	0.25 (7.2g)		
Weight	oz			

TECHNICAL INFORMATION

The DDC 5101 A/D Converter resets after a low logic signal is applied to the START pin. This signal must be at least 25nsec in duration, to insure proper reset (See figure 2). The converter remains initialized as long as the start line stays low. The conversion begins on the first low to high clock pulse after the START line goes high. Eight bits are tried in succession, MSB through LSB and serial data is available as each bit is set. Parallel data is valid 900nsec after the conversion begins. * Data is valid as long as E.O.C. is low. A new conversion may be commenced at any time during a conversion by driving the START line to logic "0".

*900 nsec conversion time is achieved with clock input frequency of 8.8MHz. Faster conversion times are available; please contact DDC for details.

INPUT CONFIGURATIONS

INPUT RANGE	INPUT PIN	INPUT IMPEDANCE (Ω)	PIN JUMPERS
0 to - 5V	11	1.5K	8 to 10, 10 to 7, 9.
0 to -10V	11	3.0K	10 to 7, 9.
0 to -20V	12	6.0K	10 to 7, 9.
0 to + 5V	11	1.5K	8 to 7, 9, 12.
0 to +10V	11	3.0K	8 to 7, 9.
0 to +20V	12	6.0K	8 to 7, 9.
±2.5V	11	1.5K	8 to 9, 12; 10 to 7.
±5.0V	11	3.0K	8 to 9; 10 to 7.
±10V	12	6.0K	8 to 9; 10 to 7.

DIGITAL OUTPUT CODING

The digital output coding for the DDC 5101 is Complementary Binary (unipolar input ranges) and Complementary Offset Binary (bipolar input ranges). The table below shows the specific code and voltage at which that code occurs for each of the nine input ranges.

ANALOG INPUT (VOLTS)									DIGITAL CODE	
0 to -5V	0 to -10V	0 to -20V	0 to +5V	0 to +10V	0 to +20V	±2.5V	±5.0V	±10.0V	MSB	LSB
0.000	0.000	0.000	+4.981	+9.961	+19.922	+2.500	+5.000	+10.000	0000	0000
-0.019	-0.039	-0.078	+4.961	+9.922	+19.844	+2.481	+4.961	+ 9.922	0000	0001
-2.481	-4.961	-9.922	+2.500	+5.000	+10.000	+0.019	+0.039	+ 0.078	0111	1111
-2.500	-5.000	-10.000	+2.481	+4.961	+ 9.922	0.000	0.000	0.000	1000	0000
-4.961	-9.922	-19.844	+0.019	+0.039	+ 0.078	-2.461	-4.922	- 9.844	1111	1110
-4.981	-9.961	-19.922	0.000	0.000	0.000	-2.481	-4.961	- 9.922	1111	1111

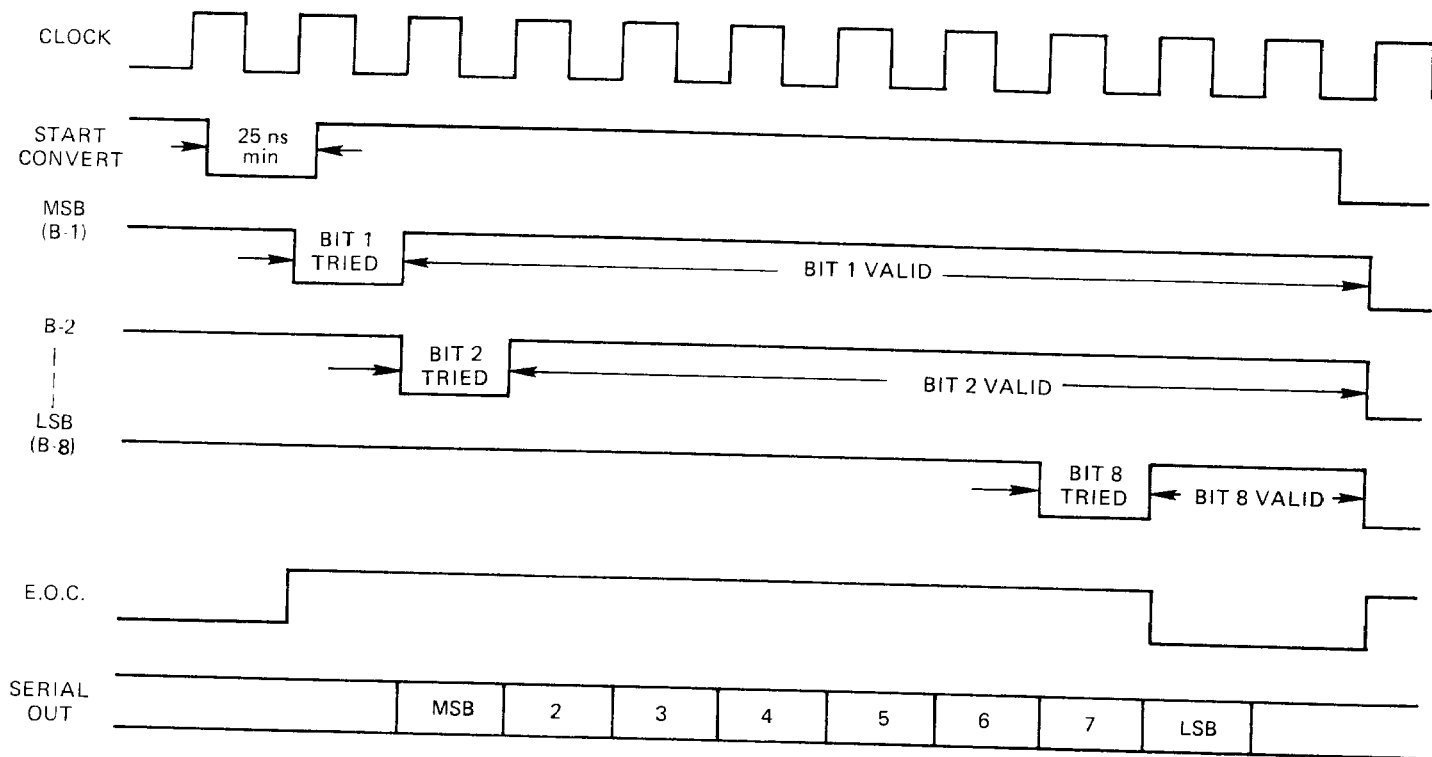


FIGURE 2. TIMING DIAGRAM

POWER SUPPLY DECOUPLING

The recommended power supply decoupling procedure is illustrated in Figure 3. The by-pass components shown in the diagram are 1.0 μ F electrolytic capacitors paralleled with 0.01 μ F disc ceramic capacitors.

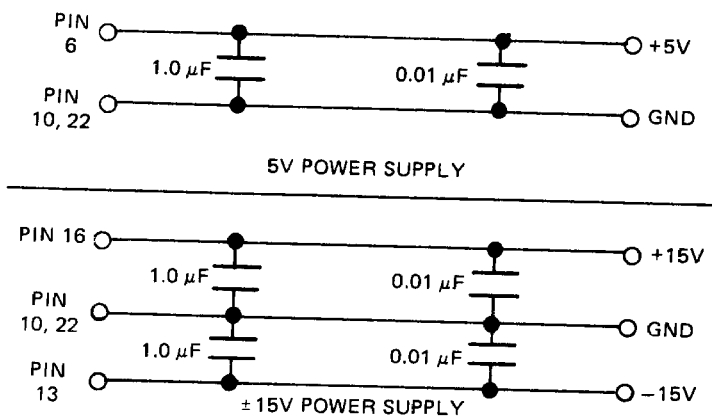
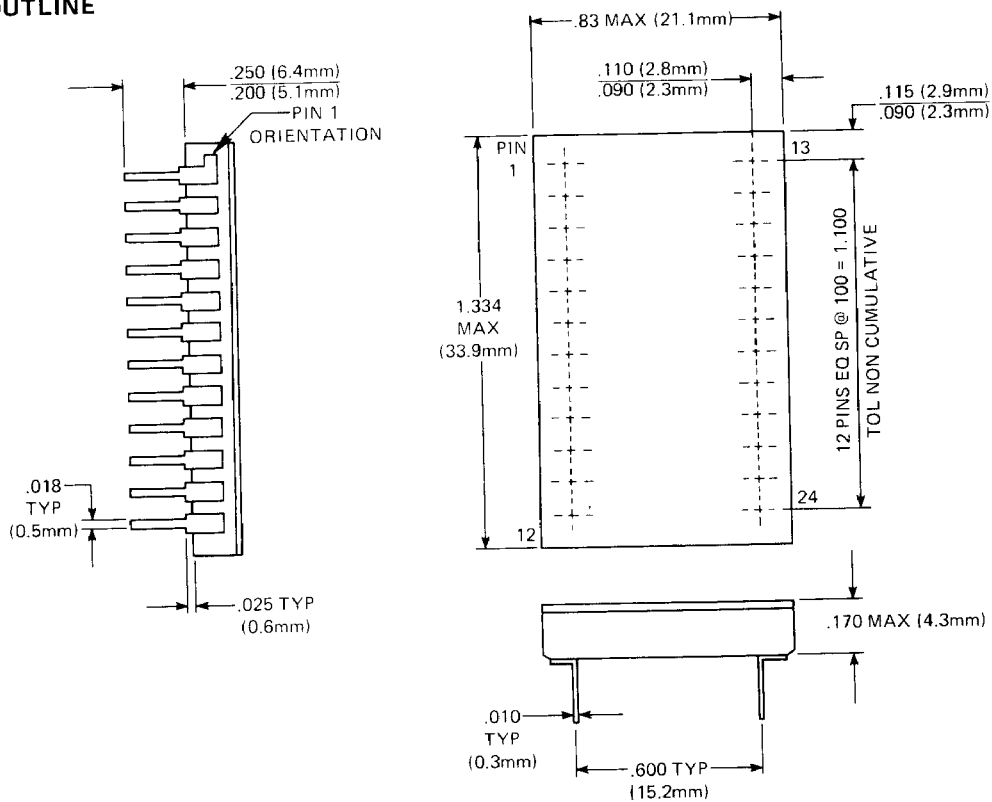


FIGURE 3. POWER SUPPLY DECOUPLING

PIN CONNECTION TABLE

PIN	FUNCTION	PIN	FUNCTION
1	SERIAL OUT	13	-15V
2	B4	14	-V REF
3	B3	15	NC
4	B2	16	+ 15V
5	B1 (MSB)	17	B8 (LSB)
6	+ 5V	18	B7
7	BIPOLAR	19	B6
8	SUM JCT	20	B5
9	BIPOLAR	21	E.O.C.
10	ANALOG GND	22	DIGITAL GND
11	INPUT	23	CLOCK
12	INPUT	24	START

MECHANICAL OUTLINE



HYBRID PROCESSING

All of DDC's hybrid converter products are manufactured to meet military standards for high reliability. DDC hybrids are built in conjunction with the requirements of MIL-STD-883, Test Methods and Procedures for Microelectronics. The screening procedures are based on methods 5008.

ORDERING INFORMATION

DDC 5101 - 1 - 883B

MIL-STD-883 Processing:
883B = Conforms to MIL-STD-883B, DDC procedures.

Blank = Same, except pre burn in test and burn in are omitted.

Operating Temperature Range:

- 1 = -55°C to +85°C

- 3 = 0°C to +70°C