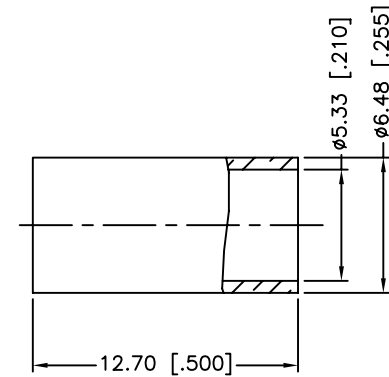
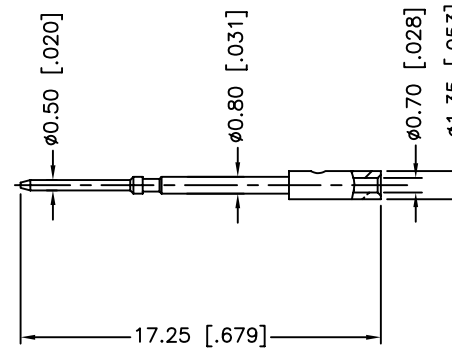
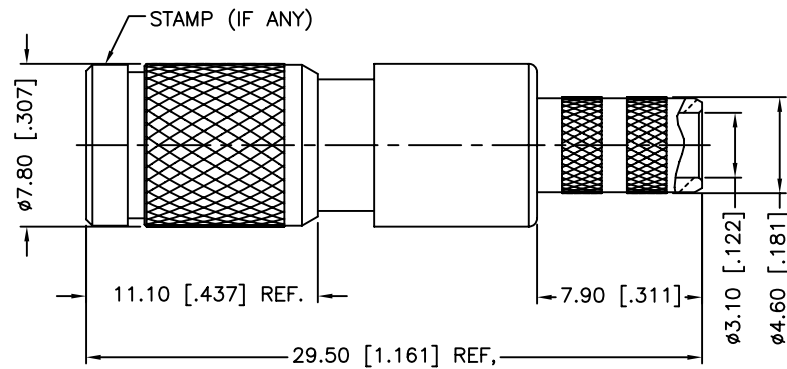
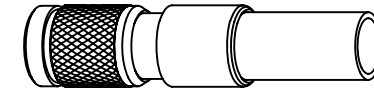
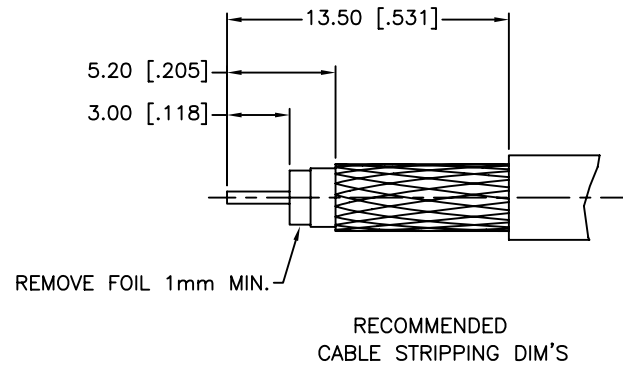


| REV. | DATE | ECR NO. | DESCRIPTION |
|------|----------|---------|--|
| NC | 09/09/10 | XXXXXX | INITIAL RELEASE |
| A | 06/28/11 | 2187 | THE BODY AND BARREL WERE CHANGED AND ADD NOTE 5 |
| B | 12/04/12 | 2408 | CHANGE NOTE #4, ADD ADDITIONAL CABLE TYPES TO PART DESCRIPTION |



1. FREQUENCY RANGE: DC - 3 GHz
2. VSWR (RETURN LOSS): 1.15, MAX.
3. CRIMPED FERRULE
HEX CRIMP SIZE .213"
4. CRIMPED CONTACT PIN
HEX CRIMP SIZE .042"
5. THE CONNECTOR MUST WITHSTAND THE WEIGHT OF AT LEAST 20 FEET OF CABLE

| | | | | |
|---|-------------|-------------|------------|-----|
| 8 | FERRULE | COPPER | NICKEL | 1 |
| 7 | CONTACT PIN | BRASS | GOLD | 1 |
| 6 | BARREL | BRASS | NICKEL | 1 |
| 5 | OUT CONTACT | BER. COPPER | GOLD | 1 |
| 4 | INSULATOR | PTFE | NATURAL | 1 |
| 3 | SPRING | SUS 301H | PASSIVATED | 1 |
| 2 | BODY | BRASS | NICKEL | 1 |
| 1 | SHELL | BRASS | NICKEL | 1 |
| | DESCRIPTION | MATERIAL | FINISH | QTY |

UNLESS OTHERWISE SPECIFIED DIMENSIONS ARE IN MILLIMETERS. DIMENSIONS IN [] ARE IN INCHES AND FOR CUSTOMER REFERENCE ONLY.

UNLESS OTHERWISE SPECIFIED TOLERANCES FOR MILLIMETERS ARE:
0.5 - 8mm ± 0.20mm
8 - 30mm ± 0.40mm
30 - 120mm ± 0.50mm

UNLESS OTHERWISE SPECIFIED TOLERANCES FOR INCHES ARE:
.020 - .315 = ± 0.007"
.315 - 1.180 = ± 0.015"
1.180 - 4.724 = ± 0.020"

DO NOT SCALE DRAWING

| APPROVALS | | DATE |
|-----------|----------------------------|----------|
| DRAWN | M.ZHANG | 12/04/12 |
| CHECKED | | |
| ISSUED | | |
| SHEET | 1 OF 1 | |
| CAD FILE | C:/CONNEX/282138-75-10.DWG | |

| | | | |
|---|------------------|-------|----|
| <h1>Amphenol Connex</h1> | | | |
| PART DESCRIPTION 1.0/2.3 PUSH-PULL CRIMP PLUG (FOR BELDEN 1855ENH, DRAKA 1014488, AND GEPCO VDM230ELS CABLES) | | | |
| PART NO. 282138-75-10 | | | |
| DWG. NO. | 282138-75-10.DWG | REV. | B |
| SIZE | A | SCALE | NA |