

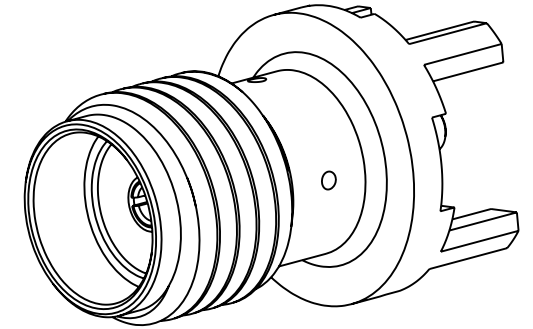
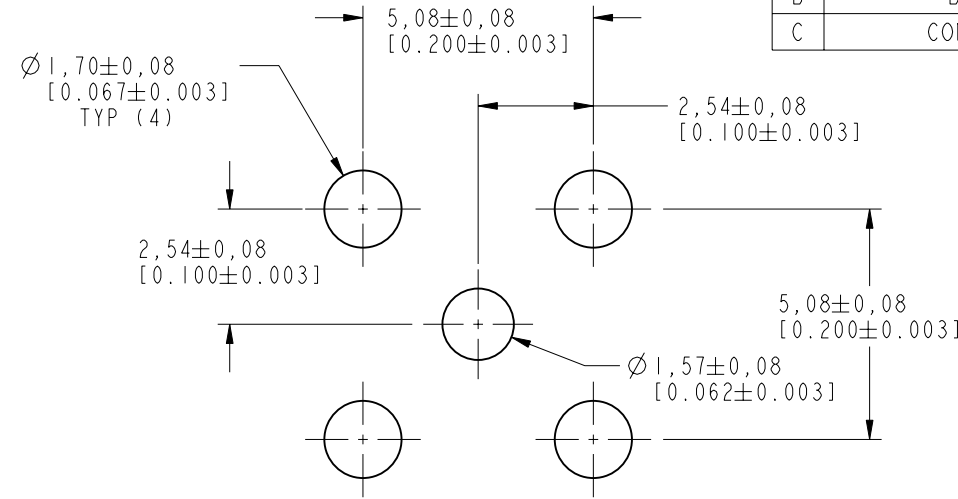
NOTES:

1. MATERIALS AND FINISHES:
 BODY - BRASS, GOLD PLATING.
 CONTACT - BERYLLIUM COPPER, GOLD PLATING.
 INSULATOR - PTFE
2. ELECTRICAL:
 A. IMPEDANCE: 50 OHM
 B. FREQUENCY RANGE: DC - 18 GHz
 C. RETURN LOSS : 30 dB MIN @ DC TO 2 GHz
 20 dB MIN @ 2 GHz TO 9 GHz
 C. DIELECTRIC WITHSTANDING VOLTAGE: 1000 VRMS, MIN.
3. MECHANICAL:
 A. DURABILITY: 500 CYCLES MIN.
 B. TEMPERATURE RANGE: -65° C TO +165° C
 C. CENTER CONTACT SHALL WITHSTAND 6 LBS AXIAL FORCE AND 4 IN-OZ TORQUE.
4. PACKAGING:
 A. QUANTITY: SINGLE PACK
 B. MARKING: BAG TO BE MARKED
 "AMPHENOL RF, 901-10360-XXX, AND DATE CODE"

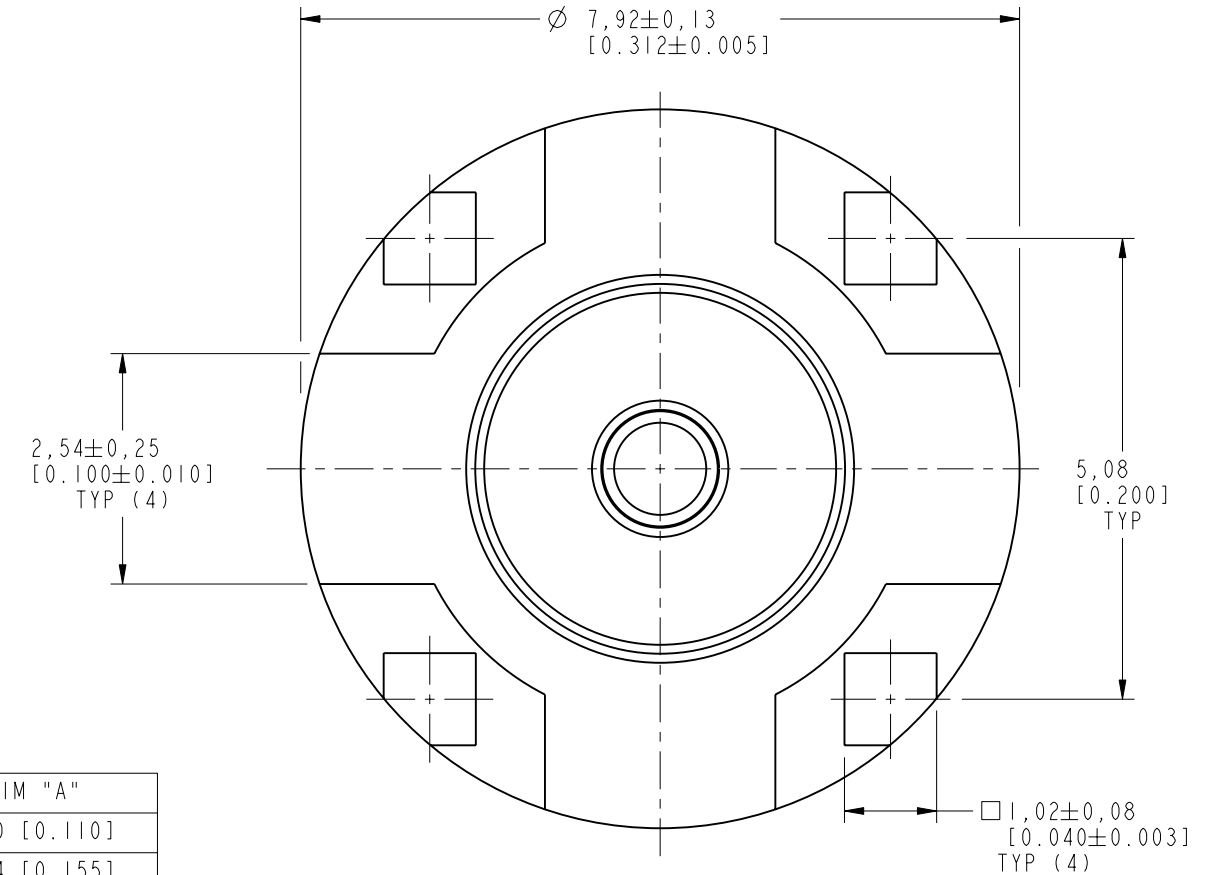
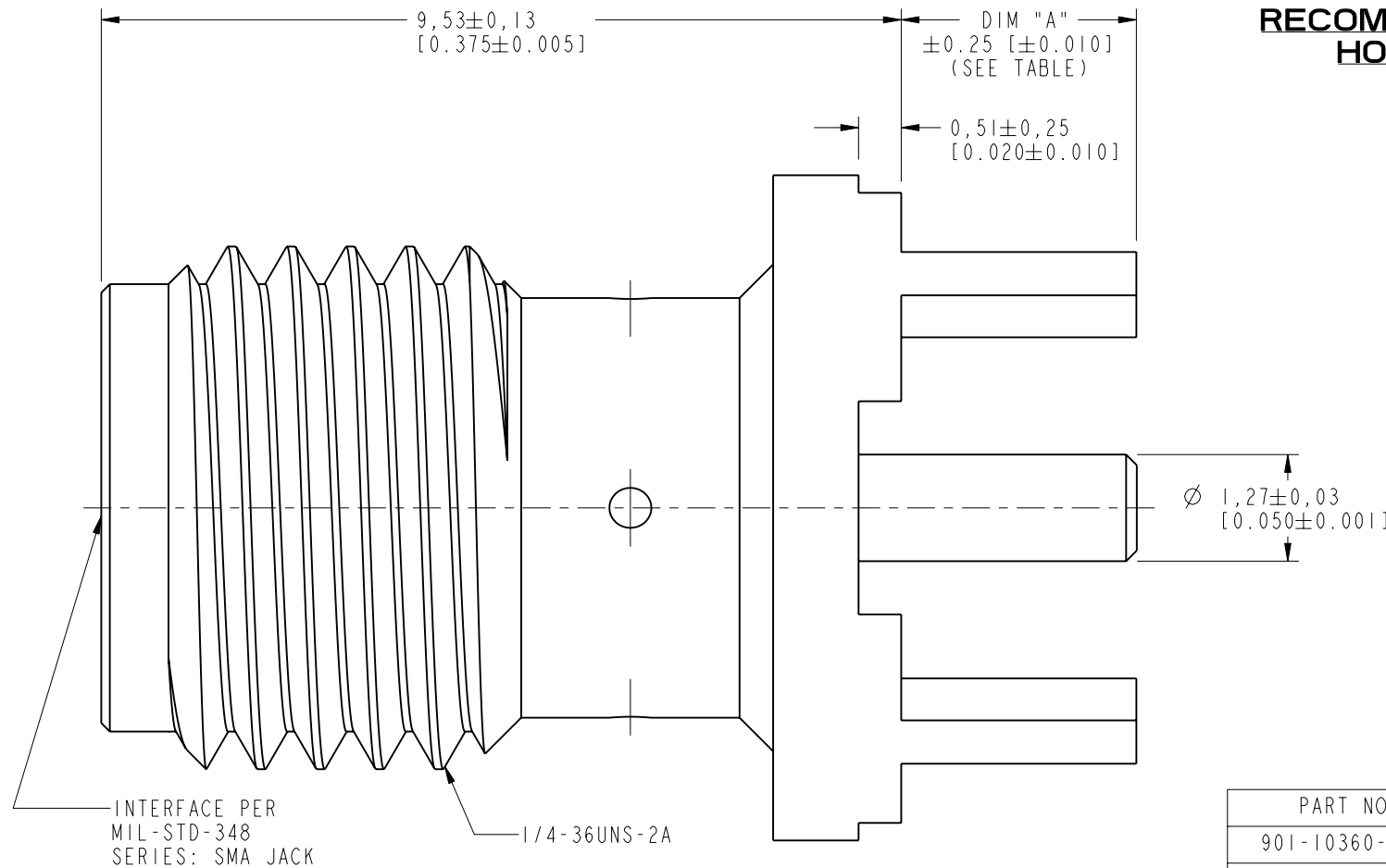
THIRD ANGLE PROJ.

REVISIONS

REV	DESCRIPTION	DATE	ECO	APPR
A	RELEASE TO MFG.	28-Jan-13	49396	J. JI
B	BODY WAS CHANGED\RD-DMI3022001J6	22-Feb-13	49458	J. JI
C	CONTACT WAS CHANGED\RD-DMI5061201S6	23-Jun-15	50609	S. H



RECOMMENDED MOUNTING HOLE DIMENSIONS



PART NO	DIM "A"
901-10360-110	2.80 [0.110]
901-10360-155	3.94 [0.155]

CUSTOMER OUTLINE DRAWING

ALL OTHER SHEETS ARE FOR INTERNAL USE ONLY

UNLESS OTHERWISE SPECIFIED, DIMENSIONS ARE IN METRIC AND TOLERANCES ARE:
 <0.5mm ± 0.05mm 0.5 - 6mm ± 0.1mm 6 - 30mm ± 0.2mm 30 - 120mm ± 0.3mm ANGLES ± 1°

NOTICE - These drawings, specifications, or other data (1) are, and remain the property of Amphenol corp. (2) must be returned upon request; and (3) are confidential and not to be disclosed to any person other than those to whom they are given by Amphenol Corp. the furnishing of these drawings, specifications, or other data by Amphenol Corp., or to any other person to anyone for any purpose is not to be regarded by implication or otherwise in any manner licensing, granting rights to permitting such holder or any other person to manufacture, use or sell any product, process or design, patented or otherwise, that may in any way be related to or disclosed by said drawings, specifications, or other data.

MATERIAL	SEE NOTES
REFERENCE	EAR # 4735
CONFIGURATION LEVEL:	In Work
FINISH	

DRAWN	J. JI	DATE	22-Feb-13
ENGINEER	ABHAYA KISHORE	DATE	03-Jan-13
APPROVED	H.S	DATE	22-Feb-13
CAD FILE			

TITLE	
SMA STR JACK THRU HOLE	
SCALE: 12.0:1.0	SHEET 2 OF 2
DWG SIZE	REV
B	C

Amphenol RF	
www.amphenolrf.com	
DRAWING NO. 901-10360-XXX	
ITEM NO. 901-10360-XXX	
PART NO. 901-10360-XXX	