

BNC Connectors



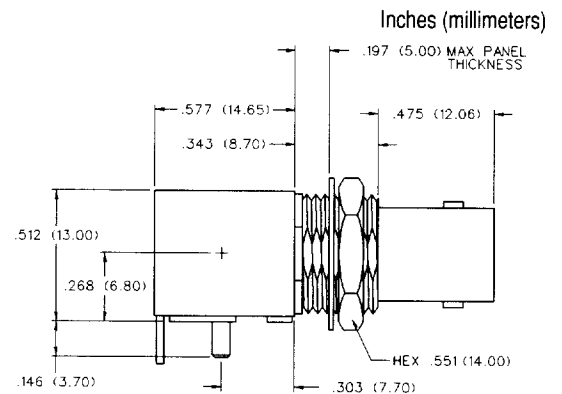
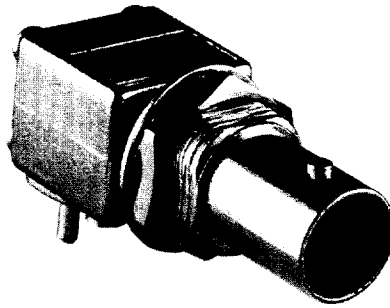
PC MOUNT

Right Angle Bulkhead Jack Receptacle

Shielded, Low Profile

136-1701-516	50 Ohm
136-3701-516	75 Ohm

Mounting hole layout
figures 1 and 5 page 45.

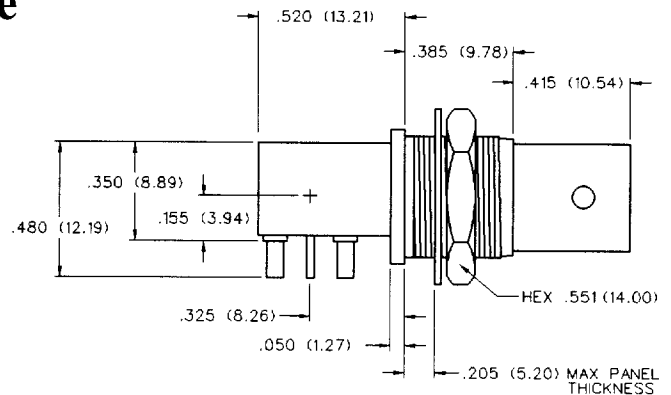
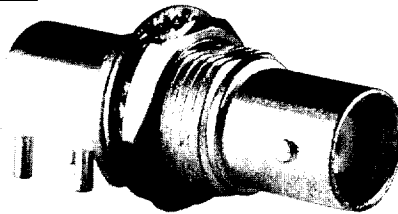


Right Angle Bulkhead Jack Receptacle

Shielded, Extra Low Profile

136-1701-547	50 Ohm, tin plated body
136-3701-547	75 Ohm, tin plated body

Mounting hole layout
figures 1 and 7 page 45.

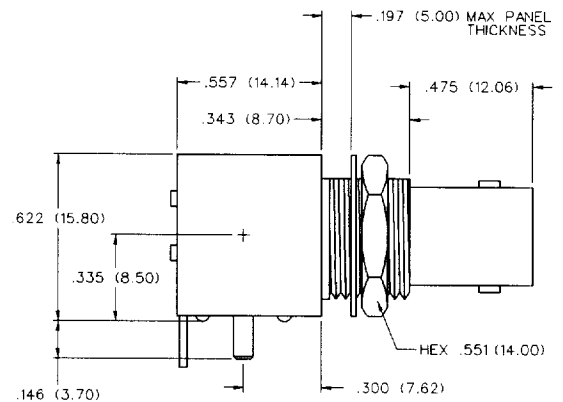
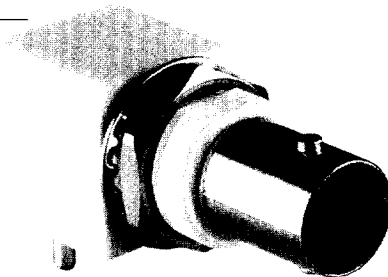


Right Angle Bulkhead Jack Receptacle

Isolated

136-1701-526	50 Ohm, w/mounting posts
136-3701-526	75 Ohm, w/mounting posts

Mounting hole layout
figures 1 and 5 page 45.



Right Angle Bulkhead Jack Receptacle

Isolated, Low Profile

136-1701-536	50 Ohm, w/mounting posts
136-3701-536	75 Ohm, w/mounting posts

Mounting hole layout
figures 1 and 5 page 45.

