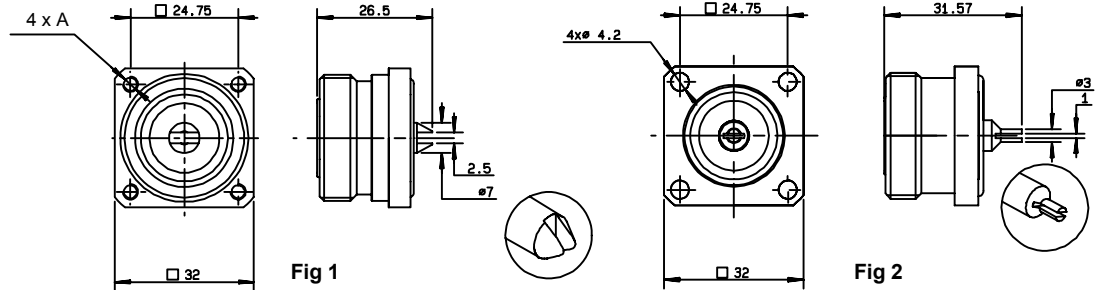
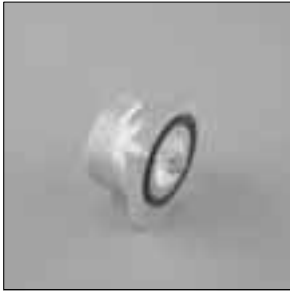
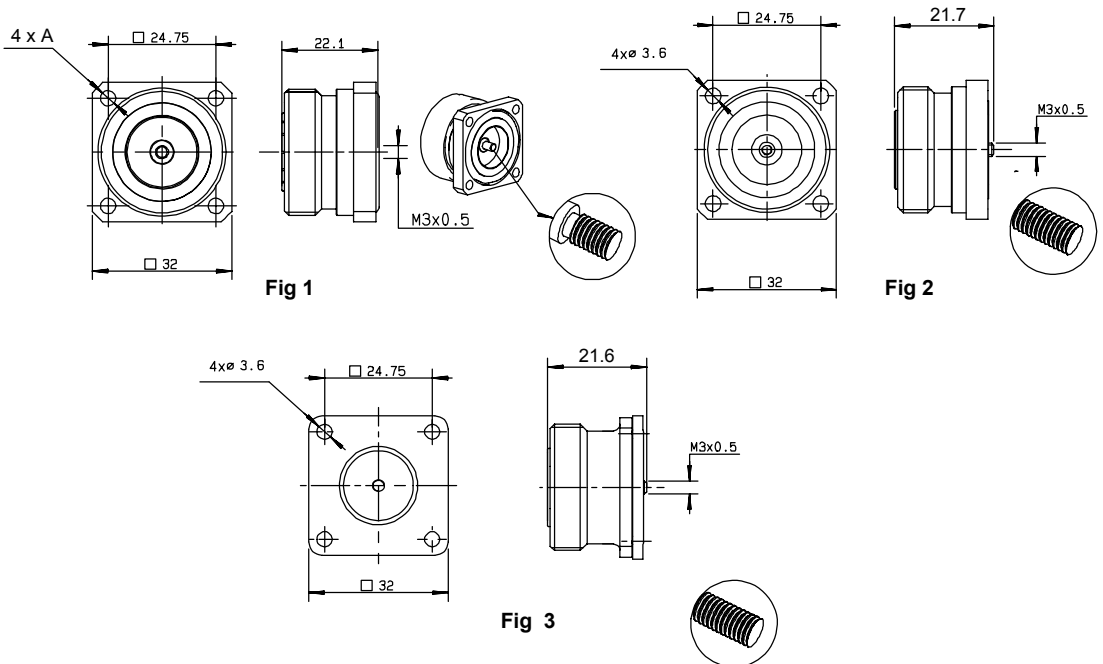


STRAIGHT FLANGE FEMALE RECEPTACLES WITH SLOTTED CONTACT



part number	capt. center cont.	fig.	dim. A	panel	finish	slotted outer contact	packaging	note
R185 404 200	yes	1	4 x 3.5	P05	Silver+Copper	no	20	panel seal
R185 404 230	yes	1	4 x M 3	P05	Silver	no	20	
R185 404 240*	yes	2	4 x 4.2	P04	Silver+Copper	no	20	

STRAIGHT FEMALE RECEPTACLES WITH THREADED CONTACT



part number	capt. center cont.	fig.	Dim.A	panel	finish	slotted outer contact	packaging	note
R185 405 200	yes	1	4 x 3.5	P05	Silver+Copper	no	20	panel seal - flange mount
R185 405 230	yes	1	4 x M3	P05	Silver+Copper	no	20	
R185 405 248*	yes	1	4 x 3.5	P05	Tin+Nickel	yes	unit	
R185 405 250*	yes	2		P05	Silver+Copper	no	20	
R185 405 400*	yes	3		P05	Silver+Copper	no	20	

• Manufactured upon request

Note : standard packaging = 20 pieces. For unit packaging, add "W" after the P/N.

