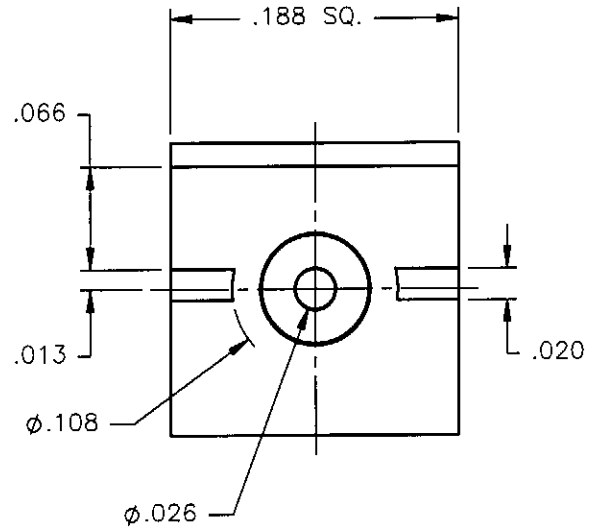
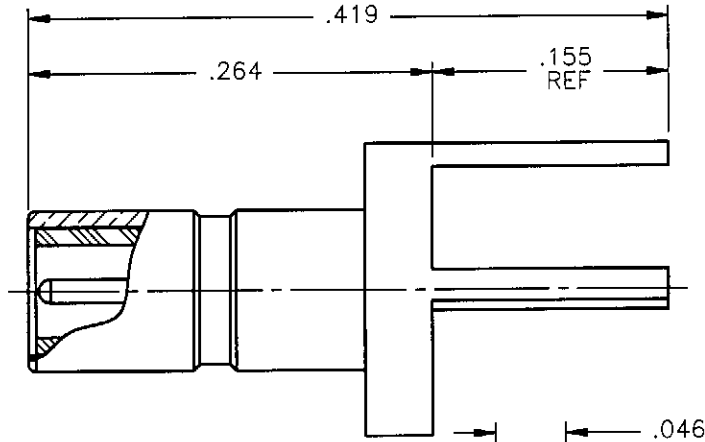
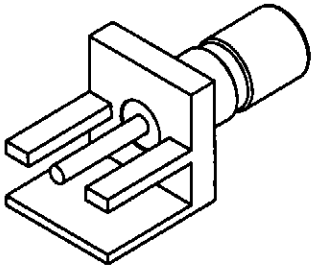


REVISIONS

REV.	DESCRIPTION	DATE	APPROVED
A	INITIAL RELEASE	10/05/06	D.N.
B	ECO #6542	02/12/07	D.N.

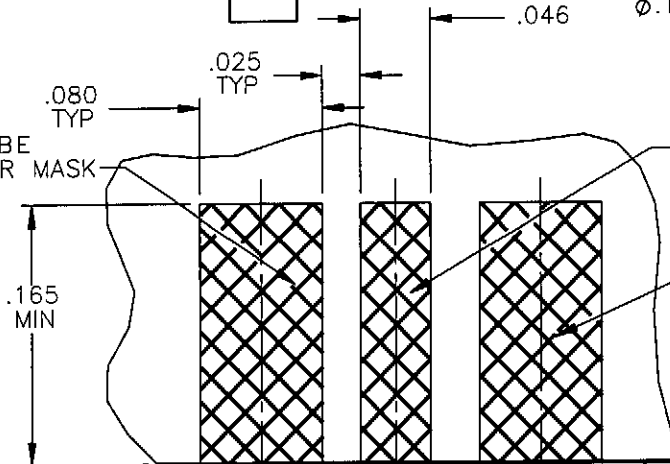
PROPRIETARY INFORMATION
NOT TO BE RELEASED
WITHOUT WRITTEN PERMISSION
FROM AN AUTHORIZED
REPRESENTATIVE OF
APPLIED ENGINEERING PRODUCTS



LAND AREA TO BE FREE OF SOLDER MASK

LAND AREA TO BE FREE OF SOLDER MASK

LAND AREA TO BE FREE OF SOLDER MASK



NOTES:

MATERIALS:

- BODY = BRASS PER ASTM B16, ALLOY C36000, TEMPER H02.
- INSULATOR = VIRGIN WHITE TEFLON PER ASTM D1710, GRADE 1, TYPE I, CLASS "B".
- CONTACT = BERYLLIUM COPPER PER ASTM B196, ALLOY C17300, TEMPER TD04.

FINISHES:

- BODY = GOLD PLATE PER MIL-G-45204, TYPE II, CLASS 0, GRADE C, OVER .00010 TO .00020 COPPER STRIKE PER MIL-C-14550.
- CONTACT = GOLD PLATE PER MIL-G-45204, TYPE II, CLASS 1, GRADE C, OVER .00010 TO .00020 STRESS FREE SULFAMATE NICKEL PER QQ-N-290.

MOUNTING PAD

BOARD EDGE

UNLESS OTHERWISE SPECIFIED DIMENSIONS ARE IN INCHES TOLERANCES ON	
DECIMAL	ANGLE
REFERENCE:	
ORIGINATED: D.N. DATE: 10/05/06	

DWN:	DATE
D.N.	10/05/06
CHKD:	DATE
A.D.M.	10/05/06
APVD:	DATE
B.N.	10/05/06
MATERIALS & FINISHES:	
SEE NOTES	

AEP APPLIED ENGINEERING PRODUCTS
a RADIALL company
104 John W. Murphy Dr.
New Haven, CT 06513

SSMB STRAIGHT JACK EDGE MOUNT RECEPTACLE FOR .062 BOARD

SIZE	FSCM NO.	DWG NO.	REV
A	19505	7209-1511-038	B
SCALE 8:1		THIRD ANGLE PROJECTION	SHEET 1 OF 1

7209-1511-038