

SAW Resonator 915.0MHz
Part No: MP05759

Model: TD0125A
Rev No: 2

A. FEATURES:

1. Two - Port Resonator

B. MAXIMUM RATING:

1. Input Power Level: 0dBm
2. DC voltage: 12V
3. Operating Temperature: -40°C to +85°C
4. Storage Temperature: -40°C to +85°C

C. ELECTRICAL CHARACTERISTICS:

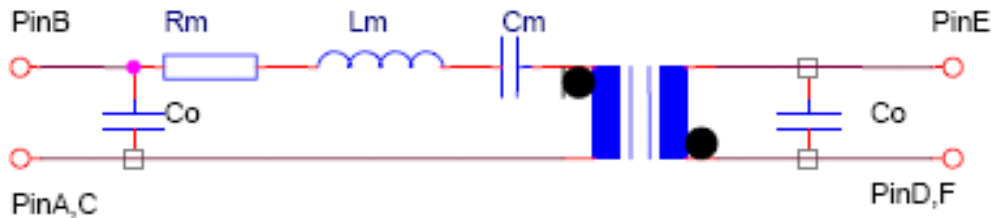
Characteristic	Units	Min.	Typ.	Max.
Center frequency Fr	MHz	914.750	915.000	915.250
Insertion Loss IL	dB	-	6.5	8.5
Phase at FC Φ	el	125	145	165
Equivalent Elements				
Motional capacitance C1	fF	-	0.225	-
Motional inductance L1	μ H	-	134.5	-
Motional resistance R1	Ohm	-	108	-
Parallel capacitance Co	pF	-	1.5	-
Temp. coeff.	ppm/c*2	-	0.032	-
Turnover To	deg. C	-	25	-
Package size		SMD 3 X 3 X 1.4mm		

SAW Resonator 915.0MHz
Part No: MP05759

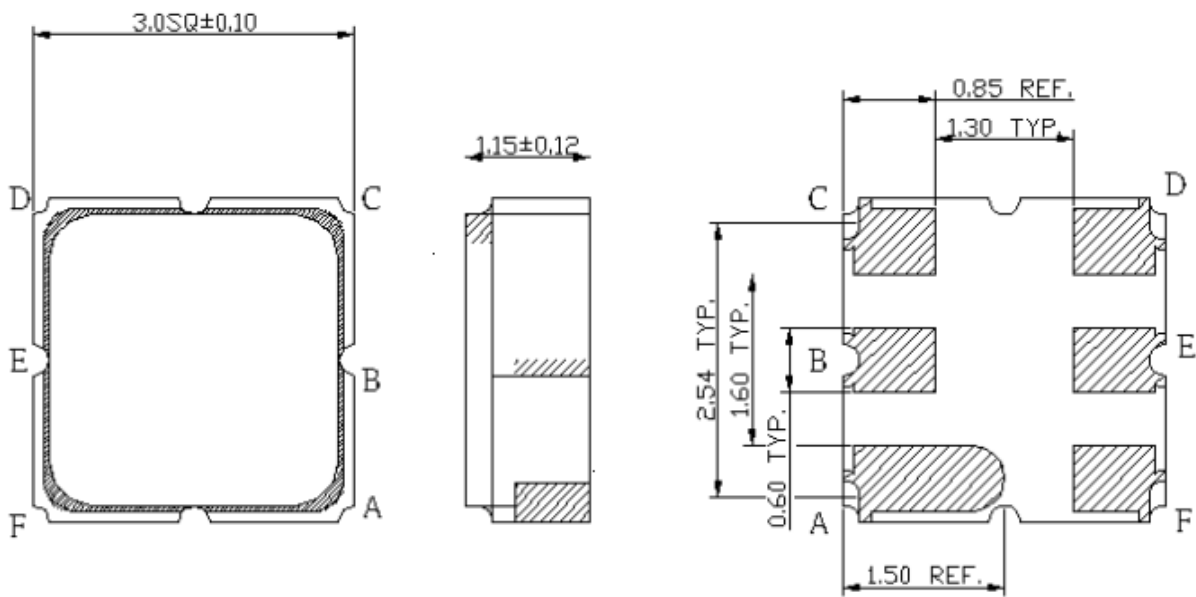
Model: TD0125A
Rev No: 2

D. EQUIVALENT CIRCUIT:

Two-Port Resonator:



E. OUTLINE DRAWING:



Pin B: Input or Output ; Pin E: Output or Input
 Pin A,C,D,F:Ground

Unit : mm

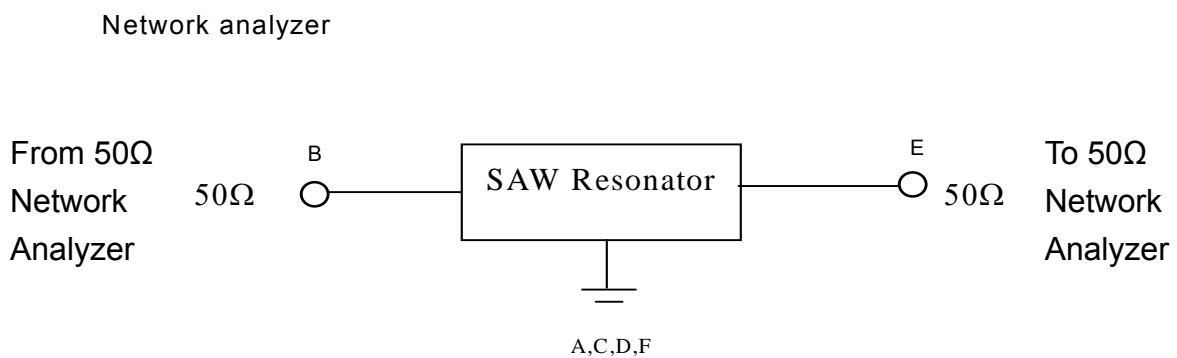
SAW Resonator 915.0MHz
Part No: MP05759

Model: TD0125A
Rev No: 2

F. FREQUENCY CHARACTERISTICS:



G. TEST CIRCUIT:

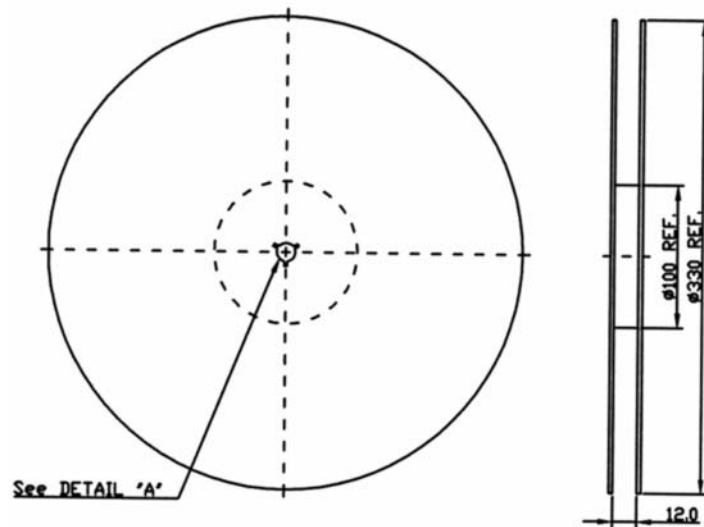


SAW Resonator 915.0MHz
Part No: MP05759

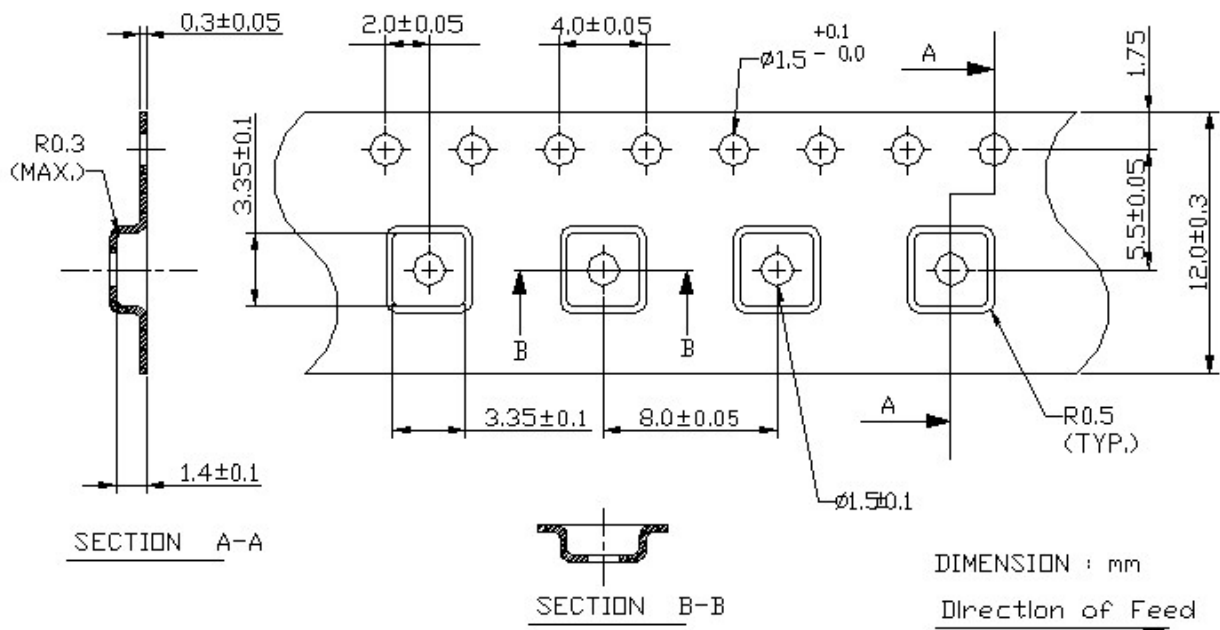
Model: TD0125A
Rev No: 2

H. PACKING:

1. Reel Dimension



2. Tape Dimension



SAW Resonator 915.0MHz
Part No: MP05759

Model: TD0125A
Rev No: 2

I. RECOMMENDED REFLOW PROFILE:

