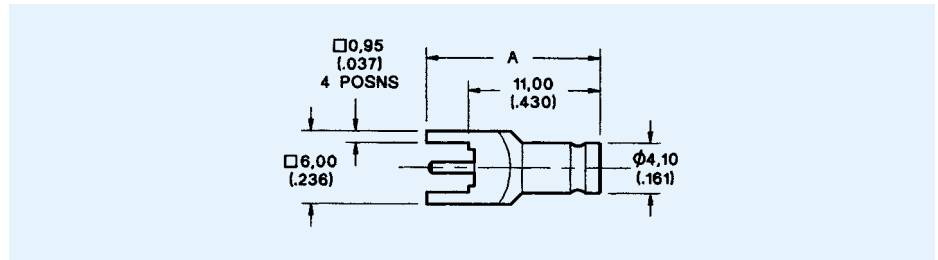


75Ω Printed Circuit Board Connectors

**Straight Jack
Push-Pull and Snap Couplings**

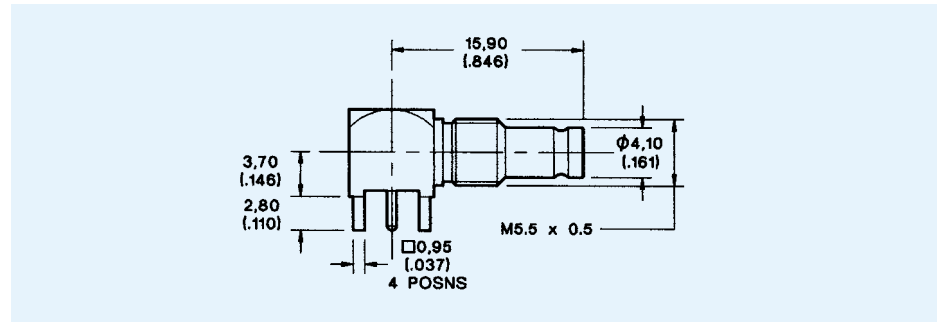
Part Number	A
F50-F51-9001A9A	14,50 (.570)



Mounting Plan F (Page 108)

**Right Angle Jack
All Couplings**

Part Number
F50-F53-9001A9A



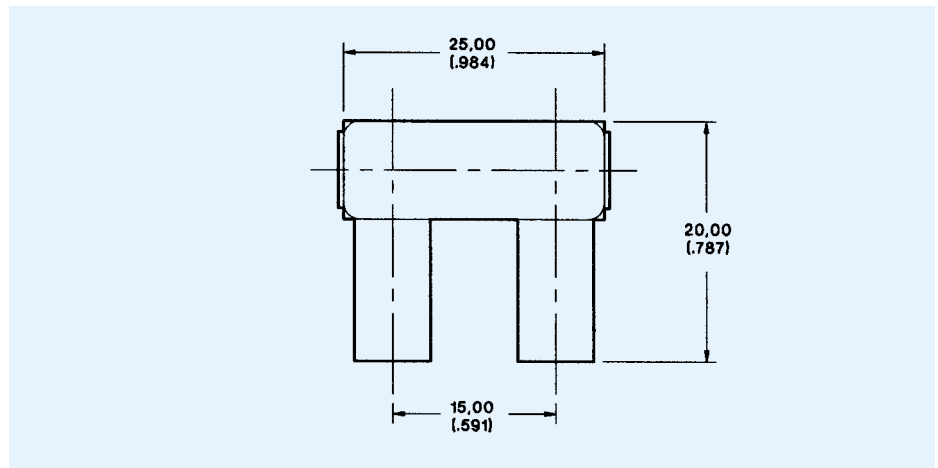
Mounting Plan F (Page 108)

1.0/2.3

Miscellaneous Connectors

**Coaxial Link, Plug-to-Plug
Snap Coupling**

Part Number
F51-B81-9001A90



**75Ω Decoupled Adaptor
Push-Pull Plug to Push-Pull and Snap Jack**

Part Number
F55-F74-9001A90

