

TERMINAL,PIDG SPR SPD 16-14 6 ✓ ACTIVE



PIDG

TE Part # 52420

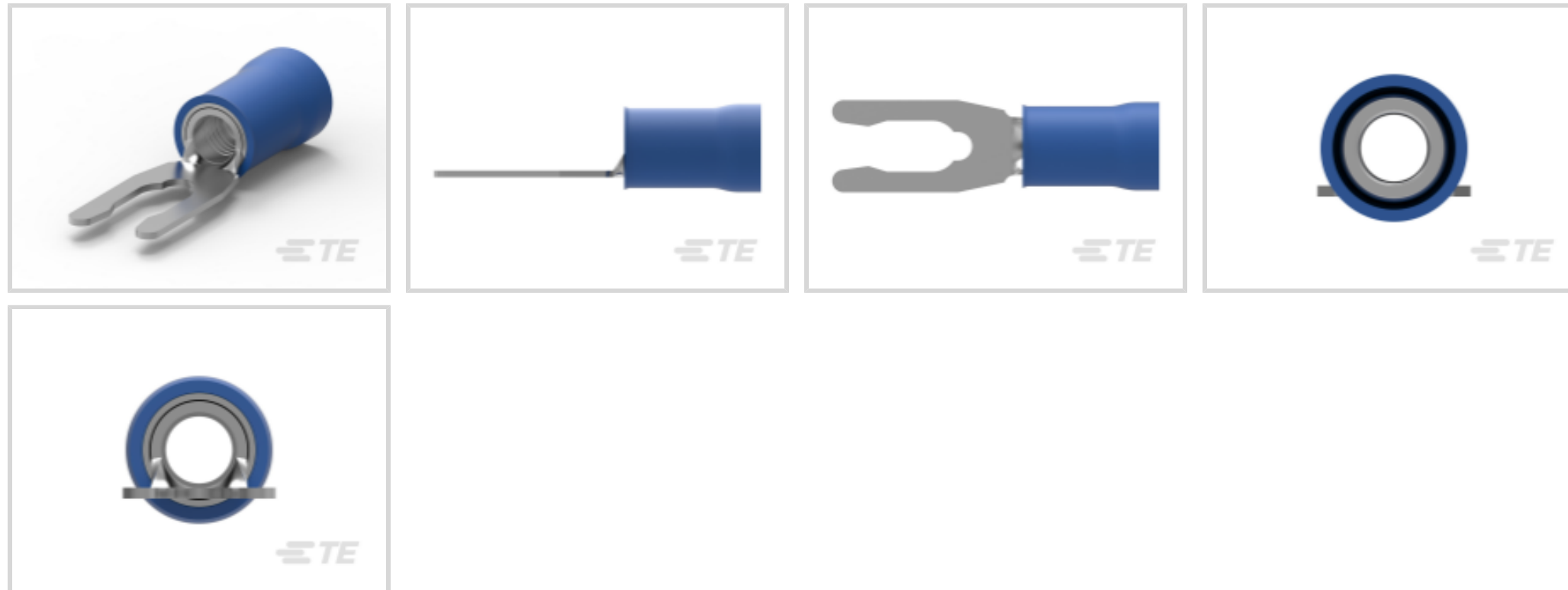
TE Internal #: 52420

Mil-Spec: [B: 52420]

PIDG LONG SPRING SPADE TONGUE TERMINALS

[View on TE.com >](#)

Terminals & Splices > Rings & Spades > PIDG LONG SPRING SPADE TONGUE TERMINALS



Wire Size: 2050 – 5180 CMA

Stud Size: #6, M3.5

Stud Diameter: 3.51 mm [.138 in]

[All PIDG LONG SPRING SPADE TONGUE TERMINALS \(52\)](#)

Features

Product Type Features

Shape Description	SPADE-031
Stud Size	#6, M3.5
Barrel Type	Closed Barrel
Sealable	No
Insulated	Yes
Wire/Cable Type	Regular Wire
Support Style	Insulation Support

Configuration Features

Terminal Angle	Straight
----------------	----------

Electrical Characteristics

Voltage (Max)	300 V
---------------	-------

Body Features

Inspection Slot	No
Insulation Sleeve Color	Blue



Plating Material	Phosphor Bronze, Tin
------------------	----------------------

Contact Features

Terminal Orientation	Straight
----------------------	----------

Mechanical Attachment

Wire Insulation Support	With
-------------------------	------

Dimensions

Wire Size	2050 – 5180 CMA
Stud Diameter	3.51 mm[.138 in]
Tongue Thickness	.84 mm[.033 in] .105 – .15 in

Operation/Application

Heavy Duty	No
------------	----

Industry Standards

Government Qualified	No
----------------------	----

Packaging Features

Packaging Quantity	1000
Packaging Method	Loose Piece

Product Compliance

[For compliance documentation, visit the product page on TE.com>](#)

EU RoHS Directive 2011/65/EU	Compliant
EU ELV Directive 2000/53/EC	Compliant
China RoHS 2 Directive MIIT Order No 32, 2016	No Restricted Materials Above Threshold
EU REACH Regulation (EC) No. 1907/2006	Current ECHA Candidate List: JAN 2019 (197) Candidate List Declared Against: JAN 2018 (181)
Halogen Content	Not Low Halogen - contains Br or Cl > 900 ppm.
Solder Process Capability	Not applicable for solder process capability

Product Compliance Disclaimer

This information is provided based on reasonable inquiry of our suppliers and represents our current actual knowledge based on the information they provided. This information is subject to change. The part numbers that TE has identified as EU RoHS compliant have a maximum concentration of 0.1% by weight in homogenous materials for lead, hexavalent

chromium, mercury, PBB, PBDE, DBP, BBP, DEHP, DIBP, and 0.01% for cadmium, or qualify for an exemption to these limits as defined in the Annexes of Directive 2011/65/EU (RoHS2). Finished electrical and electronic equipment products will be CE marked as required by Directive 2011/65/EU. Components may not be CE marked. Additionally, the part numbers that TE has identified as EU ELV compliant have a maximum concentration of 0.1% by weight in homogenous materials for lead, hexavalent chromium, and mercury, and 0.01% for cadmium, or qualify for an exemption to these limits as defined in the Annexes of Directive 2000/53/EC (ELV). Regarding the REACH Regulations, TE's information on SVHC in articles for this part number is still based on the European Chemical Agency (ECHA) 'Guidance on requirements for substances in articles' (Version: 2, April 2011), applying the 0.1% weight on weight concentration threshold at the finished product level. TE is aware of the European Court of Justice ruling of September 10th, 2015 also known as O5A (Once An Article Always An Article) stating that, in case of 'complex object', the threshold for a SVHC must be applied to both the product as a whole and simultaneously to each of the articles forming part of its composition. TE has evaluated this ruling based on the new ECHA "Guidance on requirements for substances in articles" (June 2017, version 4.0) and will be updating its statements accordingly.

Compatible Parts



REPRESENTATION ONLY

TE Part # 525691
 16-14 PIDG D.A.H.T. ASSY.



TE Part # 539691-2
 ERGO DIE R.B.Y



REPRESENTATION ONLY

TE Part # 47387
 P.I.D.G. DAHT 16-14



TE Part # 58423-1
 DIE, RBY IS9252



TE Part # 2063030-1
 SDE DIESET, RBY, UL



TE Part # 59250
 T-HD HT, PIDG 22-14



REPRESENTATION ONLY

TE Part # 47387-7
 16-14 PIDG D.A.H.T. ASSY .



TE Part # 47807-1
 DIE PIDG 69100 16-14

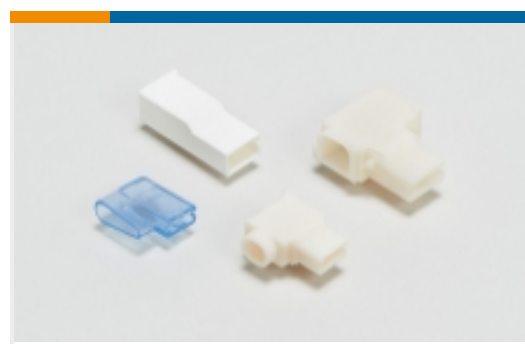


TE Part # 58433-3
 PRO CR ASSY, RBY IS9252



TE Part # 59824-1
 TETRA-CRIMP HT ASSY

Also in the Series | PIDG



Crimp Terminal Housings
(1)



Crimp Wire Pins, Tabs &
Ferrules(41)



Knife Disconnects(11)



PCB Terminals(9)



Portable Crimp Tools(1)



Quick Disconnects(53)



Rings & Spades(868)



Special Purpose Terminals
(1)



Splices(48)

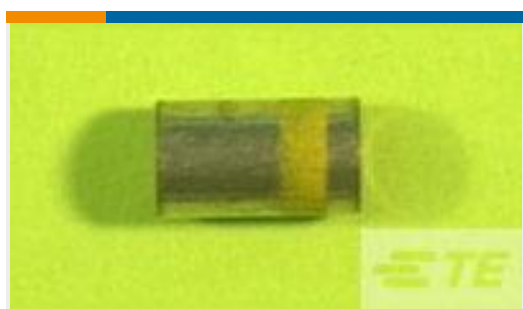
Customers Also Bought



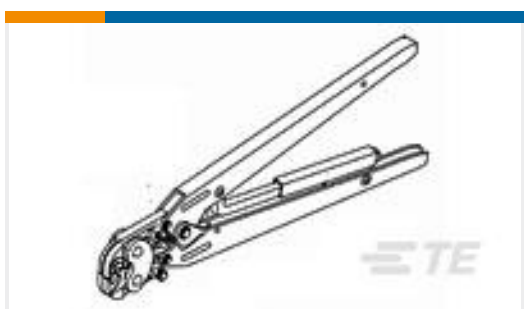
TE Part #1658662-1
KIT,HDP-20,OVRMLD,
RCPT,SIZE 3,



TE Part #650070-000
D-436-40



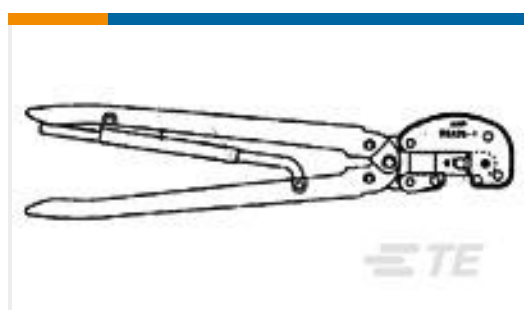
TE Part #680106-000
D-609-05



TE Part #525691
16-14 PIDG D.A.H.T. ASSY.



TE Part #202799-1
CNTR FASTENER PLUG
BLOCK,160P



TE Part #525692
HEAVY HEAD 12-10 PIDG
H/T ASSY



TE Part #5-1437418-4
J6140=JUMPER S T 3/8 40
CKTS

Documents



Product Drawings

[TERMINAL,PIDG SPR SPD 16-14 6](#)

English

CAD Files

Customer View Model

[ENG_CVM_52420_G.3d_igs.zip](#)

English

Customer View Model

[ENG_CVM_52420_G.3d_stp.zip](#)

English

Customer View Model

[ENG_CVM_52420_G.2d_dxf.zip](#)

English

[3D PDF](#)

English

Product Specifications

[Application Specification](#)

English

Product Environmental Compliance

[TE Material Declaration](#)

English

Agency Approvals

[UL Report](#)

English