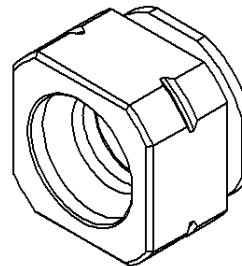
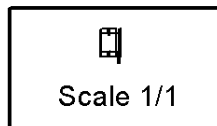
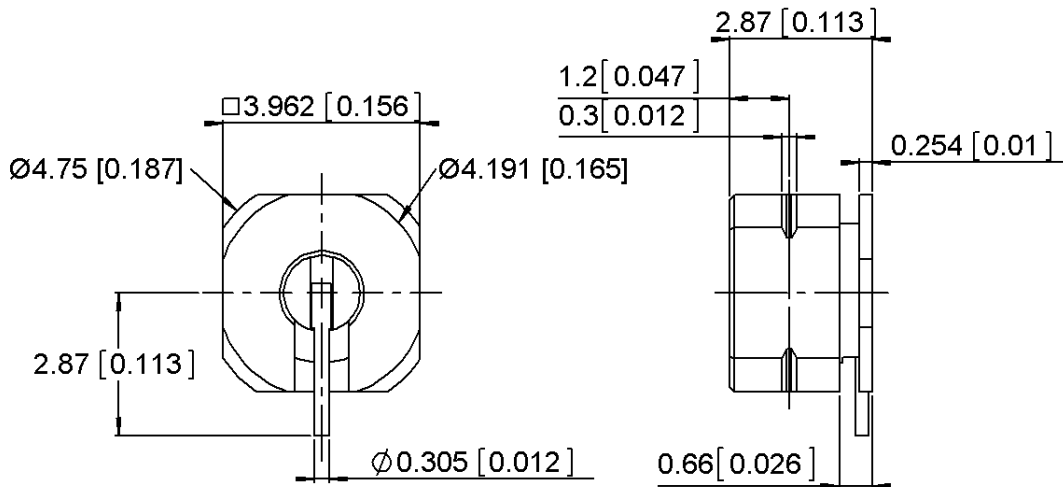


MALE STRAIGHT RECEPTACLE

R201.508.010

SMT TYPE - FULL DETENT

Series : **SMPM**



All dimensions are in mm.

COMPONENTS	MATERIALS	PLATING (µm)
BODY	BERYLLIUM COPPER	GOLD 1.27 OVER NICKEL 1.27
CENTER CONTACT	BERYLLIUM COPPER	GOLD 1.27 OVER NICKEL 1.27
OUTER CONTACT		
INSULATOR	PEEK 450G OU PEEK 1000	
GASKET		
OTHERS PARTS		
-	-	-
-	-	-

Issue : 1301 A

In the effort to improve our products, we reserve the right to make changes judged to be necessary.
 This document contains proprietary information and such information shall not be disclosed to any third party for any purpose whatsoever or used for manufacturing purposes without prior written agreement from RADIALL



MALE STRAIGHT RECEPTACLE

R201.508.010

SMT TYPE - FULL DETENT

Series : **SMPM**

PACKAGING

Standard	Unit	Other
100	'W' option	Contact us

SPECIFICATION

ELECTRICAL CHARACTERISTICS

Impedance	50	Ω
Frequency	0-18	GHz
VSWR	1.15 + 0.000	x F(GHz) Maxi
Insertion loss	.1	\sqrt{F} (GHz) dB Maxi
RF leakage	- (65)	- F(GHz)) dB Maxi
Voltage rating	325	Veff Maxi
Dielectric withstanding voltage	500	Veff mini
Insulation resistance	5000	M Ω mini

ENVIRONMENTAL

Operating temperature	-55/+125	$^{\circ}$ C
Hermetic seal	NA	Atm.cm3/s
Panel leakage	NA	

OTHER CHARACTERISTICS

Assembly instruction

Others :

MECHANICAL CHARACTERISTICS

Center contact retention		
Axial force – Mating end	6.7	N mini
Axial force – Opposite end	6.7	N mini
Torque	NA	N.cm mini
Recommended torque		
Mating	NA	N.cm
Panel nut	NA	N.cm
Mating life	1000	Cycles mini
Weight	0.2300	g

Issue : 1301 A

In the effort to improve our products, we reserve the right to make changes judged to be necessary.
 This document contains proprietary information and such information shall not be disclosed to any third party for any purpose whatsoever or used for manufacturing purposes without prior written agreement from RADIALL

