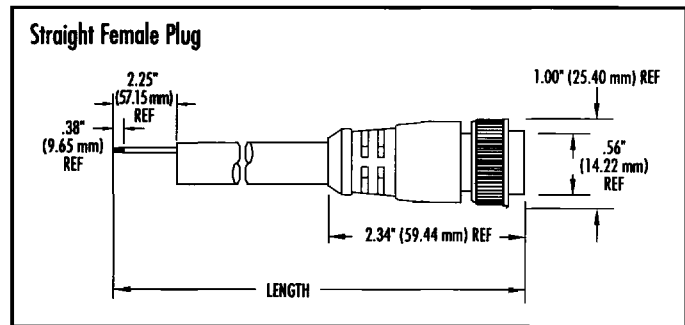
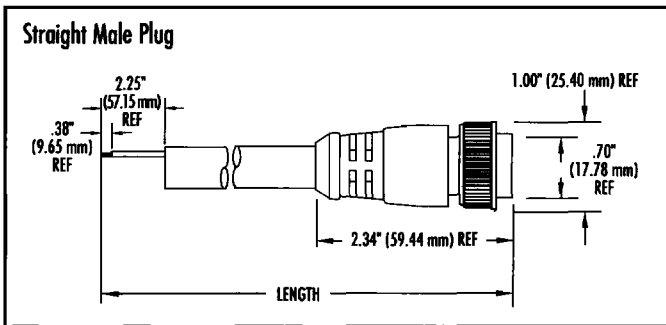


# Mini-Change® IEC Plugs and Cable Assemblies

## Product Specifications

<b>MECHANICAL</b> MOLDED BODY MATERIAL: CONTACT MATERIAL: CONTACT PLATING:  COUPLING NUT MATERIAL:  CABLE TYPE(S):  CABLE STRANDING: CABLE DIAMETER:  CABLE STRAIN RELIEF:	PVC, FLAMMABILITY RATING FT2 BRASS GOLD - 5µ. IN. (MIN) PALLADIUM/NICKEL - 20µ. IN. (MIN) ZINC DIECAST EPOXY-COAT (ALSO AVAILABLE IN STAINLESS STEEL OR NON-METALLIC) 18 AWG: PVC INSULATED, STRANDED COPPER CONDUCTORS, YELLOW PVC JACKETED, UL RECOGNIZED, 300V 105°C, AWM 2661, CSA CERTIFIED AWM I/II A/B 80°C 300V FT1 (SEE CABLE MATRIX ON PAGE 132 FOR OTHER AVAILABLE CABLE TYPES) 41 X #34 3/C - .29" 4/C - .29" 5/C - .28" 35 POUNDS MIN. - PER UL STD. 514	<b>ELECTRICAL</b> VOLTAGE RATING: CONTACT RESISTANCE:  ISOLATION RESISTANCE:  <b>ENVIRONMENTAL</b> PROTECTION: AMBIENT OPERATING TEMP: CORROSION RESISTANCE: VIBRATION RESISTANCE: HIGH PRESSURE WATER SPRAY:  <b>CERTIFICATIONS</b> UL: CSA: VDE:	300VAC/300VDC ≤5mΩ, (AFTER 100 MATE/UNMATE CYCLES - PER MIL STD. 1344, 3004.1) ≥1000MΩ  IP 68, NEMA 6P - PER NEMA STD. 250 -20° TO +105°C 500 HOUR SALT SPRAY - PER MIL STD. 202F 10 - 500Hz @ 10g - PER MIL STD. 202F, 204D, CONDITION A 1000 PSI  UL RECOGNIZED, FILE NO. E46237 CSA CERTIFIED, FILE NO. LR6837 SPACINGS TO VDE 0110 GROUP C (250VAC/300VDC)
--	--	--	---



IEC PLUGS WITH AWM 2661 CABLE							
POLES	FACE VIEW MALE	WIRING CODE	CURRENT RATING @ 300V	CONDUCTOR SIZE	CABLE LENGTH m/ft	MALE STRAIGHT	FEMALE STRAIGHT
3		1-BLACK 2-BROWN 3-BLUE	7A	18 AWG	1m/3.28ft	40933-E	40987-E
					2m/6.56ft	40951-E	40988-E
					5m/16.40ft	40972-E	40989-E
3		1-GREEN/YEL 2-BROWN 3-BLUE	10A	18 AWG	1m/3.28ft	40904-E	40901-E
					2m/6.56ft	40905-E	40902-E
					5m/16.40ft	40906-E	40903-E
4		1-BLACK 2-BLUE 3-BROWN 4-WHITE	5A	18 AWG	1m/3.28ft	41110-E	41107-E
					2m/6.56ft	41111-E	41108-E
					5m/16.40ft	41112-E	41109-E
5		1-BLACK 2-BLUE 3-GREEN/YEL 4-BROWN 5-WHITE	5A	20 AWG	1m/3.28ft	41315-E	41306-E
					2m/6.56ft	41316-E	41307-E
					5m/16.40ft	41317-E	41308-E