








-  Flyback transformers designed for PoE (IEEE802.3af) powered devices with up to 13 Watts
-  Designed for 250kHz switching frequency (continuous mode) with input of 33 - 57V
-  Low Leakage Inductance
-  Hipot voltage: 1500Vrms
-  Operating temperature -40°C to +85°C.
-  RoHS compliant version is available
-  Custom design is also available



**ELECTRICAL SPECIFICATION @ 25°C**

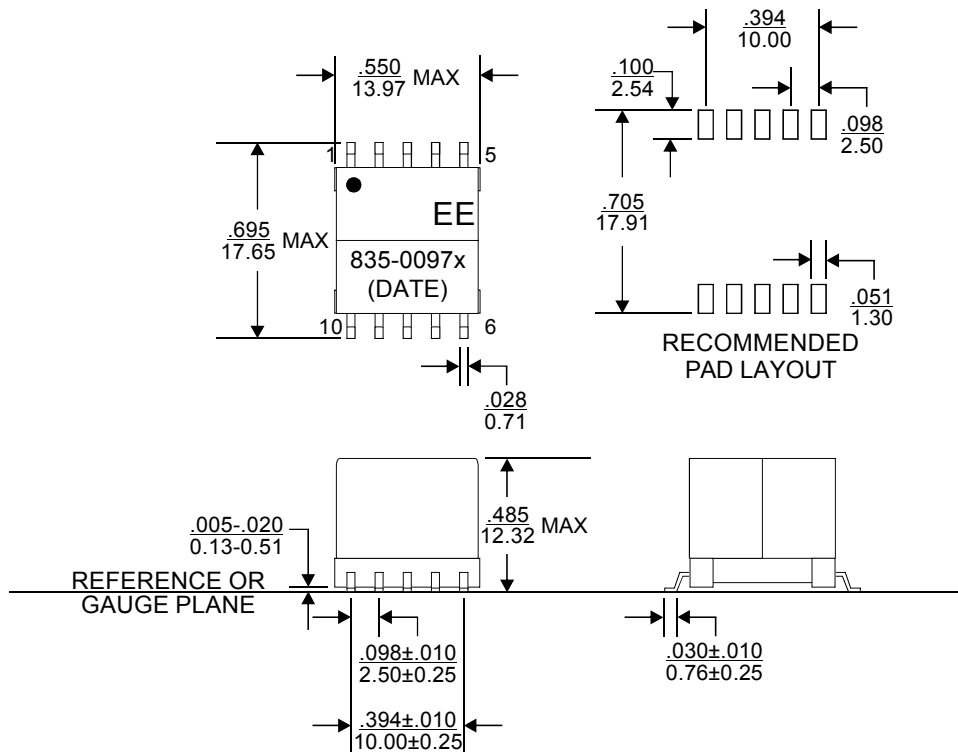
Part Number	RoHS Part Number	Turns Ratio		Inductance at 0A (uH ± 10%)	Inductance at Ipk (uH Min)	Leakage Inductance (nH Max)	DCR (mOhm Max)			Ipk (A)	Secondary Output
		Pri : Sec	Pri : Bias				Pri	Bias	Sec		
835-00974	835-00974F	1 : 0.166	1 : 0.50	127	114.3	1.25	255	310	24	1.0	Vout=3.3V,4.0A
835-00975	835-00975F	1 : 0.25	1 : 0.50	127	114.3	0.95	222	348	39	1.0	Vout=5.0V,2.6A
835-00976	835-00976F	1 : 0.50	1 : 0.50	127	114.3	0.65	199	308	65	1.0	Vout=12V,1.08A

**Notes:**

1. Inductance is measured at 250kHz, 0.2Vrms, 0A<sub>dc</sub>.
2. Peak primary current, I<sub>pk</sub>, is drawn at minimum input voltage.
3. DCR for the secondary is per winding.
4. Leakage Inductance measured between pins 3 and 4 with all other pins shorted.
5. Turns ratio is with the secondary windings connected in parallel.
6. Output of the secondary is with the windings connected in parallel. Bias winding output is 12V, 20mA.
7. Operating temperature range: -40°C to +85°C. The part temperature (ambient temperature + temperature rise) should not exceed the upper limit of the operating temperature under worst case operating conditions. Circuit design, component placement, PWB trace size and thickness, airflow and other cooling provisions all affect the part temperature. Part temperature should be verified in the end application.



**MECHANICAL DIMENSIONS**

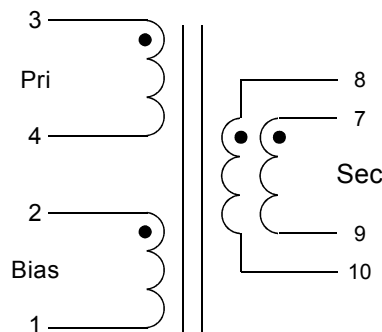


**Notes:**

8. All dimensions are specified in  $\frac{\text{inches}}{\text{mm}}$  with higher precedence in inches.
9. Unless otherwise specified, all tolerances are  $\pm \frac{.010}{0.25}$ .
10. Coplanarity:  $\frac{.004}{0.10}$  max.

Weight (in gram)	: 6.0 typ.
Tape & Reel	: 160 / reel

**SCHEMATICS**



**SCHEMATIC**

**FOR MORE INFORMATION, PLEASE CONTACT**

HEADQUARTER  
2/F Block A, Merit Industrial Centre,  
94 Tokwawan Road, Kowloon,  
Hong Kong  
Tel: (852) 2765 3888  
Fax: (852) 2954 3304  
Email: eempl@eleceltek.com

Website: <http://www.eleceltek.com>

Information herein is for reference only and subject to change without notice. It does not constitute any representation, warranty or commitment of the company in respect of the products in any aspect. All logos, brands and product names mentioned herein are trademarks or registered trademarks of their respective owners. The company does not assume any liability arising out of the application or use of any product or circuit described herein. Copyrights 2007, E & E Magnetic Products Limited.