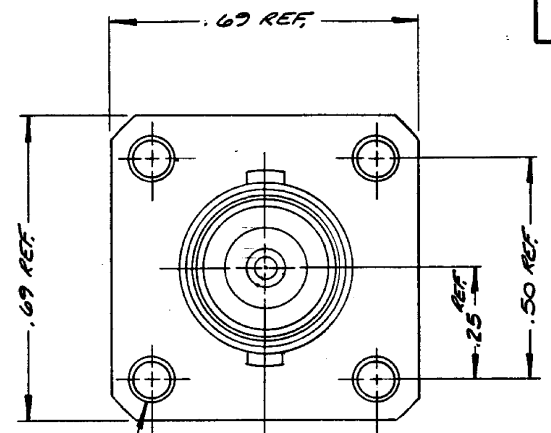
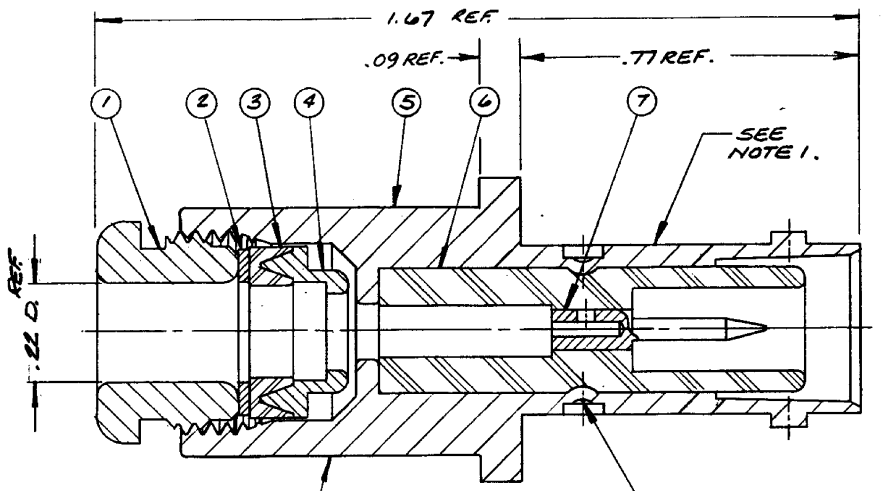


DASH NO. M CODE MADE FROM

REVISIONS

REV	CHANGES
0	ER 25025 MCO 16 SEP 83



(2.50 I.D.S)
9-1-1691

STAMP:
KINGS 1691-1-5

NOTES:

1. APPLY A BAND, APPROX. $\frac{3}{16}$ WIDE, OF RED DIE MAKERS' INK, AT ASSEMBLY.
2. FOR USE WITH RG-58, 140, 142, 223 & 400/U CABLES.
3. FOR CABLING INSTRUCTIONS SEE CP 1001.
4. INSULATOR MUST BE CAPABLE OF WITHSTANDING AN 8LB. PUSHOUT FORCE.

UNLESS OTHERWISE SPECIFIED:

1. TOLERANCES: FRACTIONS & 2 PLACE DECIMALS $\pm .010$	2. REMOVE ALL BURRS, BREAK SHARP EDGES .005 MAX.
3 PLACE DECIMALS $\pm .004$	3. NO FILLETS PERMITTED.
ANGLES $\pm 0^{\circ}30'$	4. SURFACE ROUGHNESS 83 MICRONS RMS MAX.
T. I. R. CONCENTRICITY OF ANY 2 DIAMETERS MAY NOT EXCEED HALF THE SUM OF THEIR TOLERANCES	5. ALL DIMENSIONS PRIOR TO PLATING.
	6. ALL PLATING IN ACCORDANCE WITH KER 10004.

SCALE:	4:1
APPROX. SURFACE AREA:	
	WAS E-11939
USED ON:	
REF:	DELMAR ELECTRONICS P.O. NO. C2587
	MHV PANEL JACK (POLARIZED)
DRAWN MCO	DATE 18 AUG 83
APPR. ZA	DATE 22 AUG 83
1691-1-5 (SHT. 1 OF 2)	