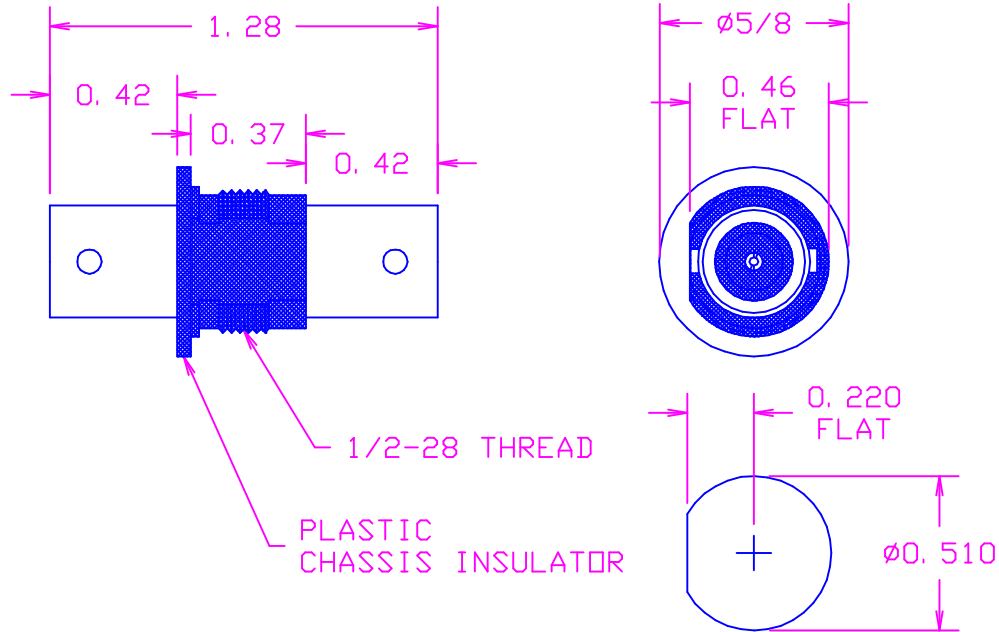


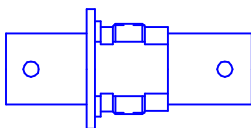
DATE	SYM	REVISION RECORD	AUTH.	DR.	CK.
3/3/99	-	ISSUED		NT	GH



MATERIAL: CONTACT- BERYLLIUM COPPER, GOLD PLATED  
 BODY- BRASS, NICKEL PLATED  
 INSULATION- PTFE

IMPEDANCE: 50 OHMS REF.  
 VOLTAGE RATING: 500 VOLTS REF.

ACTUAL SIZE



TOLERANCES (EXCEPT AS NOTED)	CONCORD ELECTRONICS CORPORATION		
DECIMAL + - .01	P/N	SCALE	30 GREAT JONES ST. NEW YORK N. Y. 10012
FRACTIONAL + -	TITLE BNC BULKHEAD ADAPTER		
ANGULAR + -	DATE 1-20-97	DRAWING NUMBER 800-2464-03-1C	