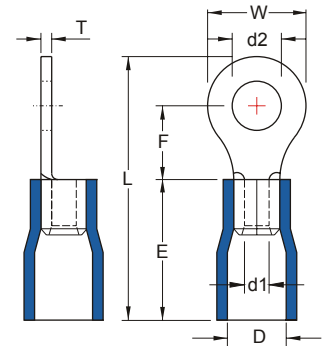


# VINYL-INSULATED RING TERMINALS



**MAXIMUM ELECTRIC CURRENT:**

A.W.G.	16	14
AMP.	18	30

**MAXIMUM ELECTRICAL RATING: 105°C 600 VOLTS MAX.**

**INSULATION MATERIAL: VINYL**

**INSULATION COLOR:**

16-14 A.W.G.: BLUE

**TERMINAL MATERIAL: COPPER**

WIRE RANGE A.W.G. mm <sup>2</sup>	ITEM NO.		STUD SIZE		DIMENSION <sup>inch</sup> / <sub>mm</sub>						CRIMPING TOOL	Q'TY BOX	
	BRAZED SEAM	BUTTED SEAM	d2		W	F	L	E	D	d1			T
16-14 A.W.G.	RVB2-2	RV2-2	#2	.087 2.2			.709 18.0					IZUMI MODEL 34 WITH DIE INDEX COLOR:BLUE  OR  K.S. MODEL KST2000A <b>HRI-126J</b> <b>KSTLY-2004</b> <b>KSTLY-2005</b> WITH DIE INDEX COLOR:BLUE	1000
	RVB2-2.5	RV2-2.5	#2	.098 2.5	.260 6.6	.189 4.8							1000
	RVB2-3.2	RV2-3.2 *	#4	.126 3.2			.701 17.8						1000
	RVBS2-3.2	RVS2-3.2	#4	.126 3.2	.217 5.5	.220 5.6	.724 18.4						1000
	RVBS2-3.7	RVS2-3.7 *	#6	.146 3.7		.189 4.8	.701 17.8						1000
	RVBM2-3.7	RVM2-3.7 *	#6	.146 3.7	.260 6.6	.243 6.3	.764 19.4						1000
	RVBL2-3.7	RVL2-3.7 *	#6	.146 3.7	.335 8.5	.291 7.4	.858 21.8						1000
	RVBS2-4	RVS2-4 *	#8	.169 4.3	.260 6.6	.243 6.3	.764 19.4						1000
	RVBL2-4	RVL2-4 *	#8	.169 4.3	.335 8.5	.307 7.8							1000
	RVBS2-5	RVS2-5 *	#10	.209 5.3			.858 21.8						1000
1.5-2.5 mm <sup>2</sup>	RVBL2-5	RVL2-5 *	#10	.209 5.3	.374 9.5	.287 7.3		.394 10.0	.177 4.5	.091 2.3	.031 0.8	1000	
	RVB2-6	RV2-6 *	1/4	.252 6.4			1.055 26.8					1000	
	RVB2-7	RV2-7	5/16	.291 7.4	.472 12.0	.433 11.0	1.063 27.0					1000	
	RVB2-8	RV2-8 *	5/16	.331 8.4			1.055 26.8					1000	
	RVB2-9	RV2-9	5/16	.386 9.8	.535 13.6	.547 13.9	1.201 30.5					1000	
	RVB2-10	RV2-10	3/8	.413 10.5								1000	
	RVBL2-10	RVL2-10	3/8	.413 10.5	.756 19.2	.630 16.0	1.402 35.6					1000	
	RVB2-12	RV2-12	1/2	.512 13.0			1.394 35.4					1000	
	RVB2-14	RV2-14	9/16	.591 15.0								1000	
	RVB2-16	RV2-16	5/8	.669 17.0	1.063 27.0	.827 21.0	1.744 44.3					1000	
RVB2-20	RV2-20	3/4	.827 21.0								1000		

UL cUL ALL LISTED  
\*: ADDITIONAL SF CERTIFIED