



Technical Data Sheet

0.28" Single Digit Lead frame Displays

ELLS-325YWA

Features

- Industrial standard size.
- Low power consumption.
- Categorized for luminous intensity.
- Pb free
- The product itself will remain within RoHS compliant version.

Descriptions

- The ELLS-325 series is a large 7.00mm (0.28") high seven segment display designed for viewing distances up to 7 meters.
- These displays provide excellent reliability in bright ambient light.
- These devices are made with white segments and gray surface.



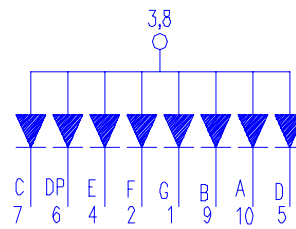
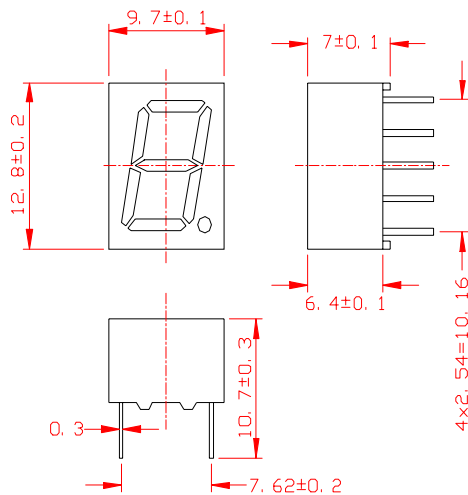
Applications

- Audio equipment
- Instrument panels
- Digital read out display

Device Selection Guide

Chip		Face Color
Material	Emitted Color	
GaAs/P/GaP	Yellow	Gray

Package Dimensions



INTERNAL CONNECTION DIAGRM

- 1 CATHODE G
- 2 CATHODE F
- 3 COMMAN ANODE
- 4 CATHODE E
- 5 CATHODE D
- 6 CATHODE DP
- 7 CATHODE C
- 8 COMMAN ANODE
- 9 CATHODE B
- 10 CATHODE A

- All dimensions are in millimeters,tolerance is 0.25mm unless otherwise noted.
- Above specification may be changed without notice. Supplier will reserve authority on material change for above specification

Absolute Maximum Ratings (Ta=25°C)

Parameter	Symbol	Rating	Units
Forward Current	I _F	15	mA
Pulse Forward Current ^{*1}	I _{FP}	70	mA
Operating Temperature	T _{opr}	-40 ~ +85	°C
Storage Temperature	T _{stg}	-40 ~ +100	°C
Soldering Temperature ^{*2}	T _{sol}	260	°C
Power Dissipation	P _d	40	mW
Reverse Voltage	V _R	5	V

Notes: *1:I_{FP} Conditions--Pulse Width ≤ 10msec and Duty ≤ 1/10.

*2:Soldering time ≤ 5 seconds.

Electro-Optical Characteristics (Ta=25°C)

Parameter		Symbol	Condition	Min.	Typ.	Max.	Units
Forward Voltage		V_F	$I_F=20mA$	---	3.0	---	V
Reverse Current		I_R	$V_R=5V$	--	--	10	μA
Luminous Intensity	Per segment	I_V	$I_F=10mA$	0.18	0.90	--	mcd
	Per decimal point			--	--	--	
Peak Wavelength		λ_p	$I_F=20mA$	--	585	--	nm
Dominant Wavelength		λ_d	$I_F=20mA$	--	590	--	nm
Spectrum Radiation Bandwidth		$\Delta \lambda$	$I_F=20mA$	--	35	--	nm

Chromaticity Coordinates Specifications for Bin Grading(Unit:mcd)

Rank	Min.	Max.	Rank	Min.	Max.
E	0.18	0.36	H	0.7	1.40
F	0.28	0.56	I	1.10	2.20
G	0.45	0.90	--	--	--

Typical Electro-Optical Characteristics Curves

