

Socket connector DIP type for pin Ø 0.50 mm



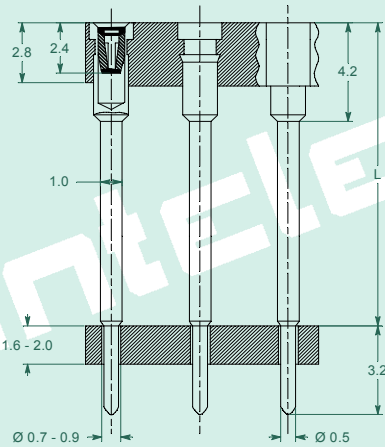
Product specifications

Current rating : 3.0 A
 Dielectric withstanding voltage : > 1000 Volts RMS
 Contact resistance : < 10 mΩ
 Operating temperature : -55°C to +125°C
 Max processing temperature : 260°C during 5 sec
 Mechanical cycles : 500 cycles min
 Insertion force : < 2 N
 Extraction force : > 1 N
 Contact : copper beryllium
 Plating : tin with golden clip
 Insulator : PCT, UL94V-0
 Other lengths : on request

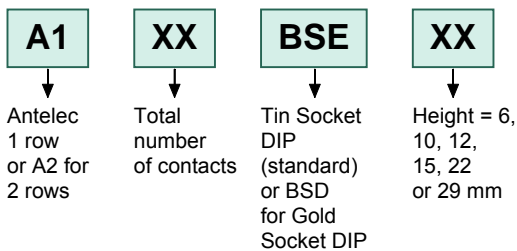


Mates with

Pin header Ø 0.4 to 0.56 mm	A(1 or 2)-XX-C-RSD-3.7
A(1 or 2)-XX-(SSE or SSD)-XX	A(1 or 2)-XX-DI-RSD
A(1 or 2)-XX-(SSX or S3X)	A(1 or 2)-XX-(SSE or SSD)-CMS-254



Create your part number



Product range

Number of pins :
 1 row : 1 to 64 pins
 2 rows : 4 to 72 pins