

Amphenol

RF Interconnects

FME RF Connectors for Wireless and Telecommunication Applications

Materials

Body/Finish – Brass/Nickel
 Contact/Finish – Phosphor Bronze/Gold
 Under-plate – Nickel
 Insulator – Delrin or Teflon
 Crimp Ferrules – Brass

Electrical

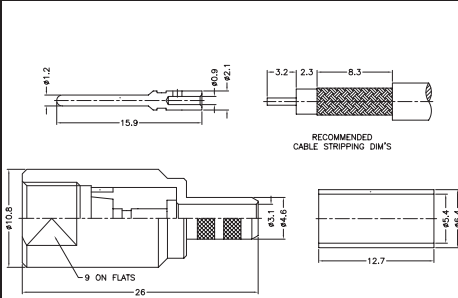
Impedance – 50 Ohm
 Frequency Range – 0-200 MHz

Environmental

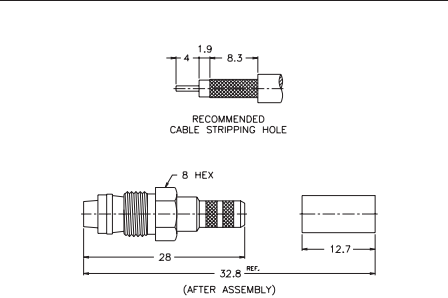
Temp. range – -65°C thru 85°C

Related Information

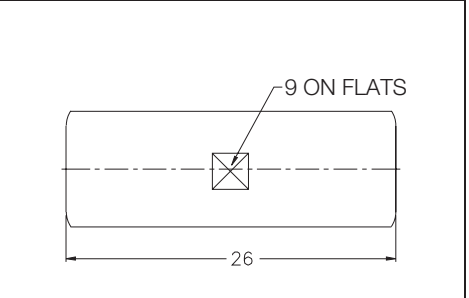
Hand Tools – Page W-1
 Termination Instr. – Page U-35~U-38
 Terminology – Page U-38



Crimp/Crimp Straight Plug (Teflon Insulator)
 Termination Instruction **E**
FME1121AxNT3Gxxx50



Crimp/Crimp Straight Jack (Delrin Insulator)
 Termination Instruction **E**
FME6121x1ND3Gxxx50



Plug-to-Plug Adapter
 Teflon Insulator
FME2071A2NTS50

Part Number:	Cable/Description	Part Number:	Cable/Description	Part Number:	Description
81-169	RG/U 58/141/142	81-186-RFX	RG/U 58/141/142	81-188-RFX	26mm Long
81-185-RFX	RG/U 174/188/316 Like Diagram	81-187-RFX	RG/U 174/188/316 Like Diagram		

F Series Threaded Coupling RF Connector

Materials

Body/Finish – Brass/Nickel (Ni)
 Contact/Finish – Brass/Gold
 Centre MALE – Brass/Gold
 Centre FEMALE – Brass/Tin
 Insulator – Polypropylene

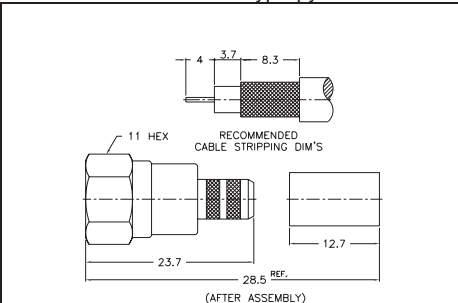
Gasket – Silicone rubber
 Crimp Ferrules – Annealed Copper/Ni

Electrical

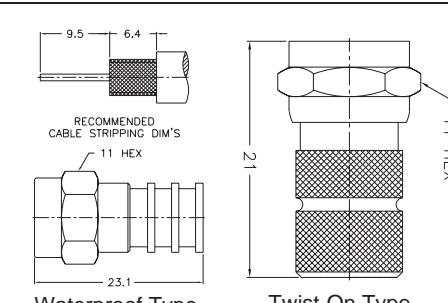
Impedance – 75 ohm
 Frequency range – 0-3 GHz

Related Information

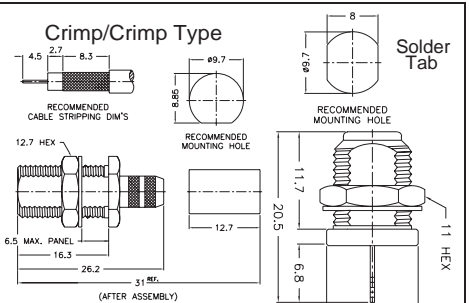
Hand Tools – Page X-1
 Termination Instr. – Page W-50
 Terminology – Page W-50



Crimp/Crimp Straight Plug
 Termination Instruction **E**
F1121A1ND3Gxxx75

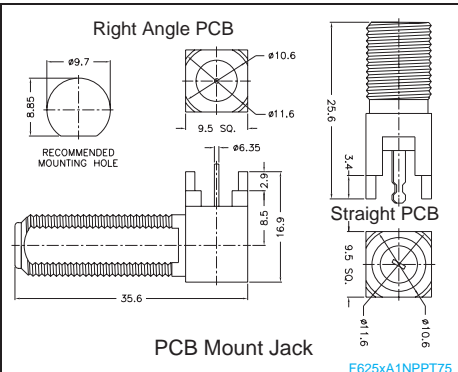


Waterproof Type Twist-On Type
 Straight Plug
 Termination Instruction: Waterproof **V**, Twist **K**
F1111MxNx75/F1131A1Nx75

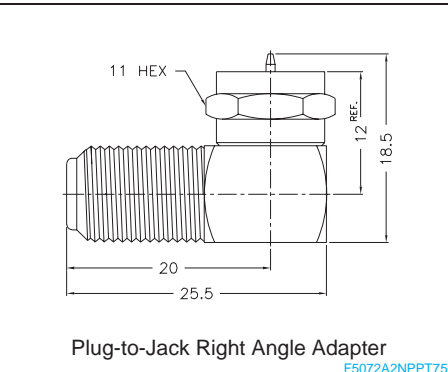


Crimp/Crimp Type Solder Tab
 Crimp/Crimp Straight Bulkhead Jack
 Termination Instruction **E**
F641A2NT3Gxxx75

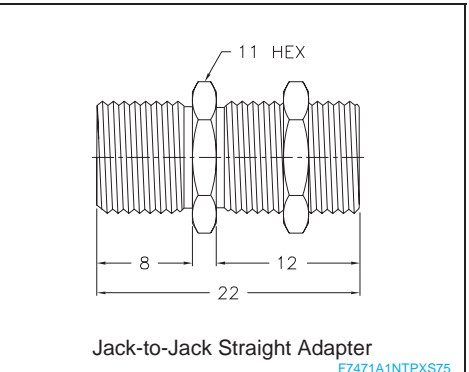
Part Number:	Cable	Part Number:	Description/Cable	Part Number:	Cable/Description
531-1121M01RFX	RG/U 59	531-1111M01RFX	Waterproof Crimp RG/U 59	531-6421M01RFX	RG/U 59
531-1121M02RFX	RG/U 6	531-1111M02RFX	Waterproof Crimp RG/U 6	531-6421M02RFX	RG/U 6
		531-1131A01RFX	Twist-On RG/U 59	Other - Bulkhead Jack <small>F6451A1NPPT75</small>	
		531-1131A02RFX	Twist-On RG/U 6	531-6451A01RFX	Solder-Tab



PCB Mount Jack
F625x1NPPT75



Plug-to-Jack Right Angle Adapter
F5072A2NPPT75



Jack-to-Jack Straight Adapter
F7471A1NTPXS75

Part Number:	Description	Part Number:	Description	Part Number:	Description
531-6252A01RFX	Right Angle Tinned Contact	531-5072A01RFX	Tinned Contact	531-7471A01RFX	Silver Contact
531-6251A01RFX	Straight Tinned Contact				

ARFA/RF