

General Specifications

Motor Structure: Capacitor-Run Induction Motor
 Motor Protection: J~K Impedance Protection / L Thermal Protection
 Insulation Resistance: 100M Ohm or over with DC500V Megger
 Dielectric Withstand Voltage: AC 1800V 3s
 Allowable Ambient Temperature Range:
 -10 degree C ~ +70 degree C (Operating)
 -40 degree C ~ +70 degree C (Storage)
 (non-condensing environment)

Material

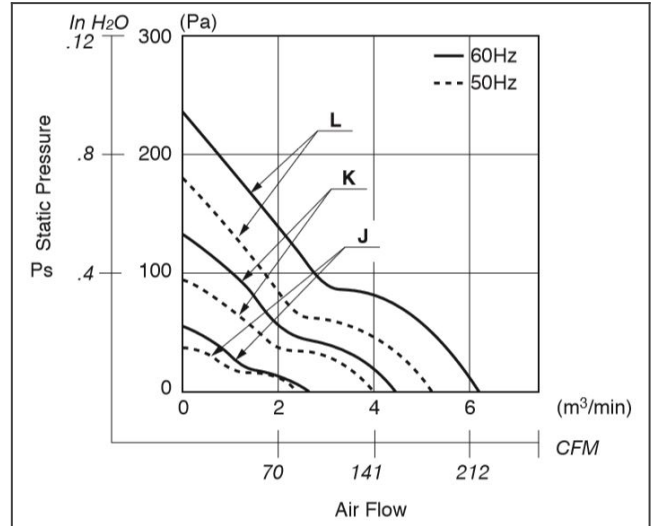
Casing: Aluminum Black Painting
 Impeller: Plastic (Black) UL94V-0
 Lead Wire or Terminal: STP-1 2X0.824mm² AWG22, Faston #110 or equivalent

order part 5915PC-12T-B10-A00_60Hz Ball Bearing Fan AC Axial Fans

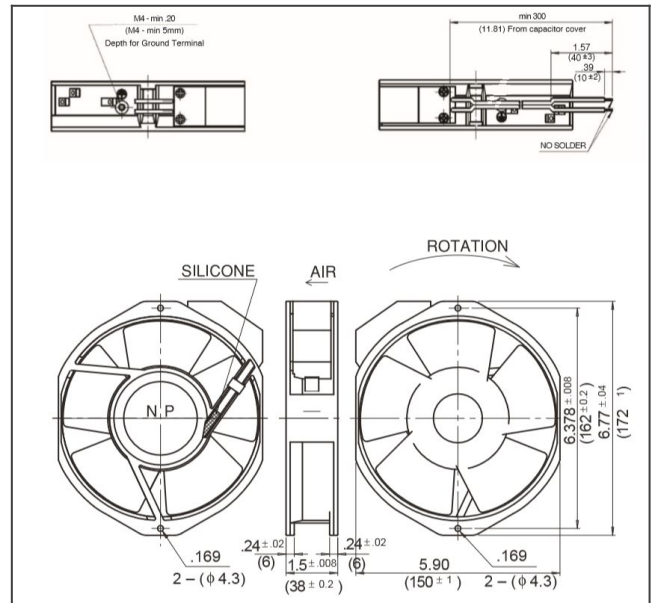
AC Axial Fans



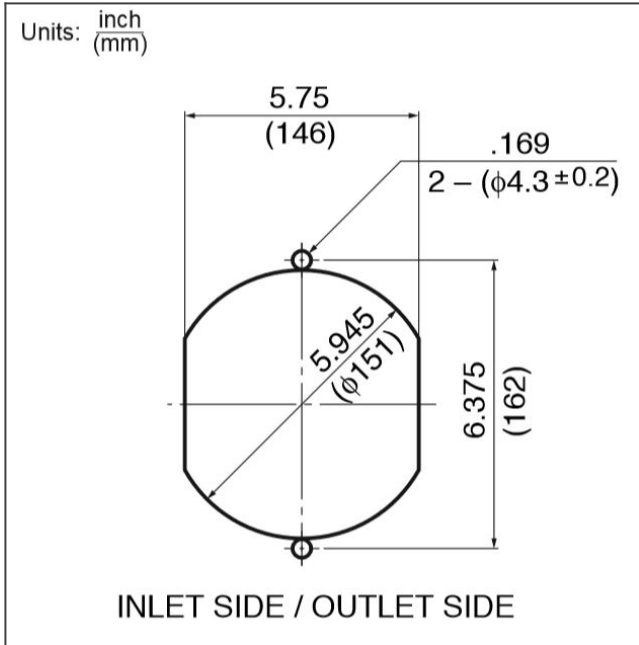
5915PC-12T-B10-A00 plastic std characteristics curve



5915PC-12T-B10-A00 plastic std product drawing



5915PC-12T-B10-A00 plastic std panel cut out



Detailed Specifications

Expected Life:	*Failure rate 10% 25deg.C 100,000 hours
Nominal Voltage:	115[V]
Frequency:	60[Hz]
Starting Voltage:	75[V]
Current:	0.19[A]
Input Power (+10% - 20%):	18[V]
Speed:	1650[min^{-1}]
Max. Air Flow:	2.9[m^3/min]
Max. Air Flow:	102.3[CFM]
Max. Static Pressure:	60.7[Pa]
Max. Static Pressure:	0.243[In H ₂ O]
Noise:	38[dB]
Fan Size:	150[mm]
Fan Width:	38[mm]
Mass:	800[g]