

RAA239101

Photoelectric Smoke Detector AFE IC

The [RAA239101](#) is a low-power Analog Front-End (AFE) IC; combined with a microcontroller, photoelectric emitter/detector(s), horn, and minimal external components, it forms a complete smoke detector.

The IC operates from a 3V to 5V or 9V battery and has an LDO to provide power to a microcontroller. The battery-check feature can be used to signal an alarm when the battery is low.

The IC provides an SPI bus for a microcontroller interface and a general-purpose IO.

The RAA239101 provides a driver that can switch between two LEDs to pulse the smoke detection LED emitters with a DAC adjustable current. Two photodiode receiver channels with programmable gain amplification using an ADC allow the detection of smoke by sensing the LED light scattered off of smoke in a detection chamber.

A piezoelectric horn driver is also included to provide an audible alarm.

Features

- Ultra-low current consumption
- 9V or 3V to 5V battery operation
- LDO for microcontroller supply
- 10-bit ADC for measuring voltage on 7 analog pins
- Drives two LED emitters with 8-bit current DAC control from 45mA to 600mA
- Two photodiode receivers with programmable gain amplifiers
- General purpose IO
- Horn driver with clamp diodes
- SPI interface

Applications

- Photoelectric smoke detectors

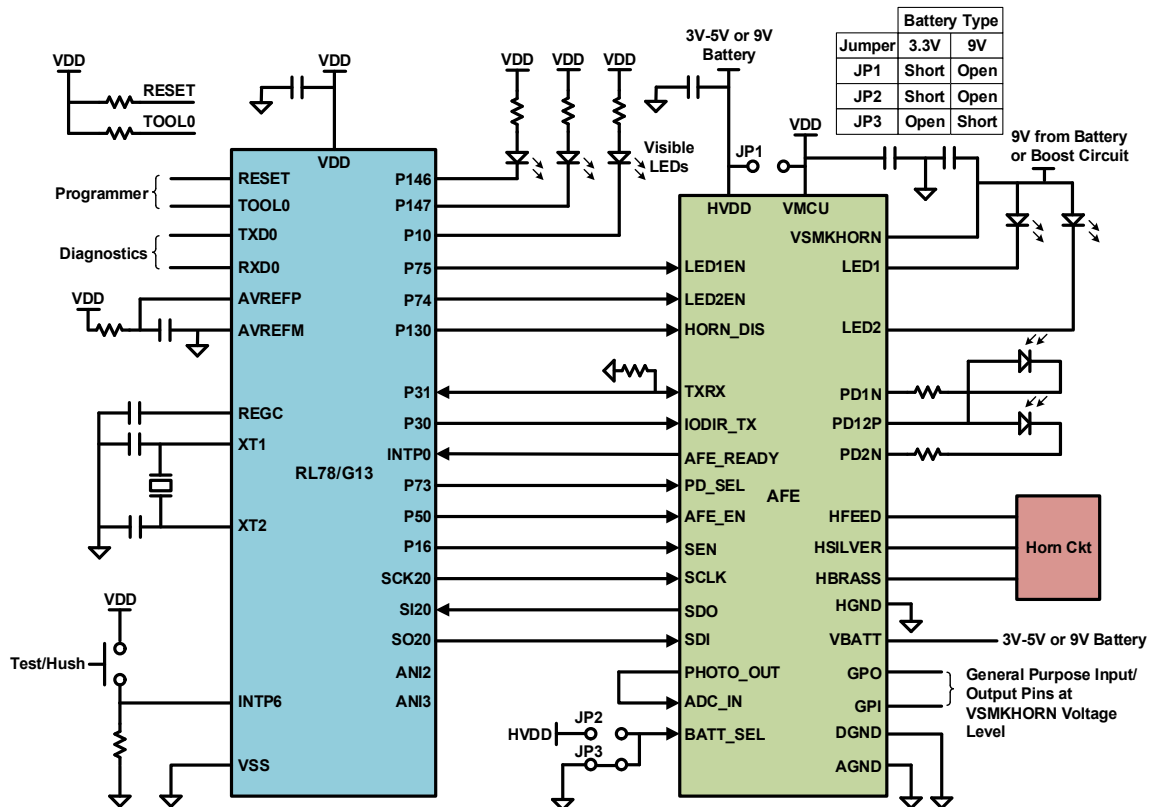


Figure 1. Typical System Diagram

1. Overview

1.1 Block Diagram

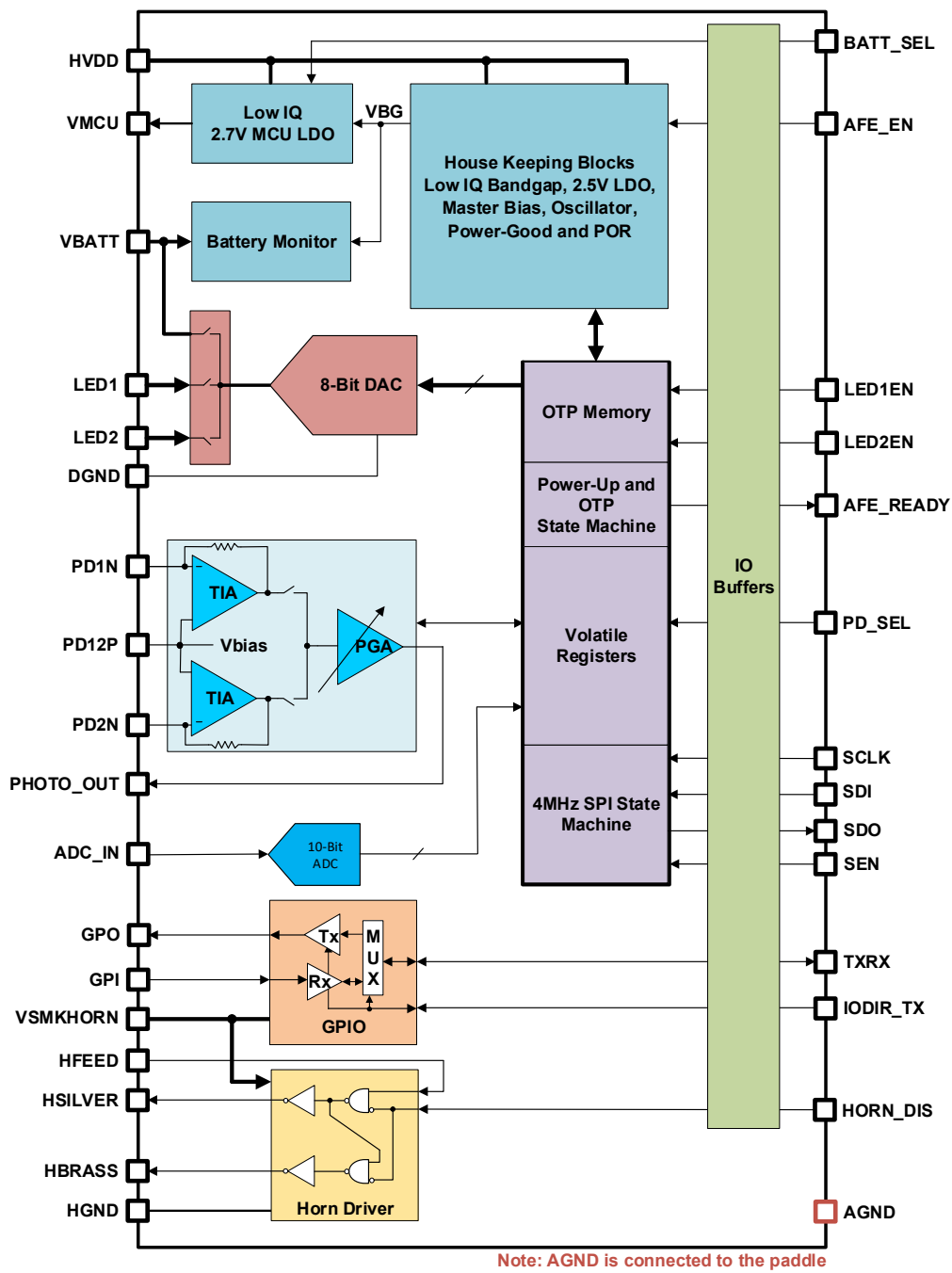


Figure 2. Block Diagram

1.2 Ordering Information

Part Number (Notes 2, 3)	Part Marking	Package Description (RoHS Compliant)	Pkg. Dwg. #	Carrier Type (Note 1)	Temp Range
RAA239101A2GNP#HA0	239101	32 Ld QFN	L32.4X4F	Reel, 6k	-40 to +85°C

Notes:

1. See [TB347](#) for details about reel specifications.
2. These Pb-free plastic packaged products employ special Pb-free material sets, molding compounds/die attach materials, and 100% matte tin plate plus anneal (e3 termination finish, which is RoHS compliant and compatible with both SnPb and Pb-free soldering operations). Pb-free products are MSL classified at Pb-free peak reflow temperatures that meet or exceed the Pb-free requirements of IPC/JEDEC J-STD-020.
3. For Moisture Sensitivity Level (MSL), see the [RAA239101](#) device page. For more information about MSL, see [TB363](#).

2. Revision History

Rev.	Date	Description
2.01	Jun 27, 2022	Changed 3.3V to 3V-5V throughout.
2.00	May 20, 2021	Updated Voltage from 3V-5V to 3.3V throughout.
1.01	May 4, 2021	Updated File number to Renesas formatting. Updated Figure 1. Added Revision History.

IMPORTANT NOTICE AND DISCLAIMER

RENESAS ELECTRONICS CORPORATION AND ITS SUBSIDIARIES (“RENESAS”) PROVIDES TECHNICAL SPECIFICATIONS AND RELIABILITY DATA (INCLUDING DATASHEETS), DESIGN RESOURCES (INCLUDING REFERENCE DESIGNS), APPLICATION OR OTHER DESIGN ADVICE, WEB TOOLS, SAFETY INFORMATION, AND OTHER RESOURCES “AS IS” AND WITH ALL FAULTS, AND DISCLAIMS ALL WARRANTIES, EXPRESS OR IMPLIED, INCLUDING, WITHOUT LIMITATION, ANY IMPLIED WARRANTIES OF MERCHANTABILITY, FITNESS FOR A PARTICULAR PURPOSE, OR NON-INFRINGEMENT OF THIRD PARTY INTELLECTUAL PROPERTY RIGHTS.

These resources are intended for developers skilled in the art designing with Renesas products. You are solely responsible for (1) selecting the appropriate products for your application, (2) designing, validating, and testing your application, and (3) ensuring your application meets applicable standards, and any other safety, security, or other requirements. These resources are subject to change without notice. Renesas grants you permission to use these resources only for development of an application that uses Renesas products. Other reproduction or use of these resources is strictly prohibited. No license is granted to any other Renesas intellectual property or to any third party intellectual property. Renesas disclaims responsibility for, and you will fully indemnify Renesas and its representatives against, any claims, damages, costs, losses, or liabilities arising out of your use of these resources. Renesas' products are provided only subject to Renesas' Terms and Conditions of Sale or other applicable terms agreed to in writing. No use of any Renesas resources expands or otherwise alters any applicable warranties or warranty disclaimers for these products.

(Rev.1.0 Mar 2020)

Corporate Headquarters

TOYOSU FORESIA, 3-2-24 Toyosu,
Koto-ku, Tokyo 135-0061, Japan
www.renesas.com

Contact Information

For further information on a product, technology, the most up-to-date version of a document, or your nearest sales office, please visit:
www.renesas.com/contact/

Trademarks

Renesas and the Renesas logo are trademarks of Renesas Electronics Corporation. All trademarks and registered trademarks are the property of their respective owners.