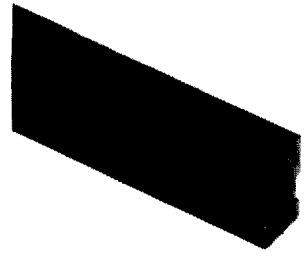
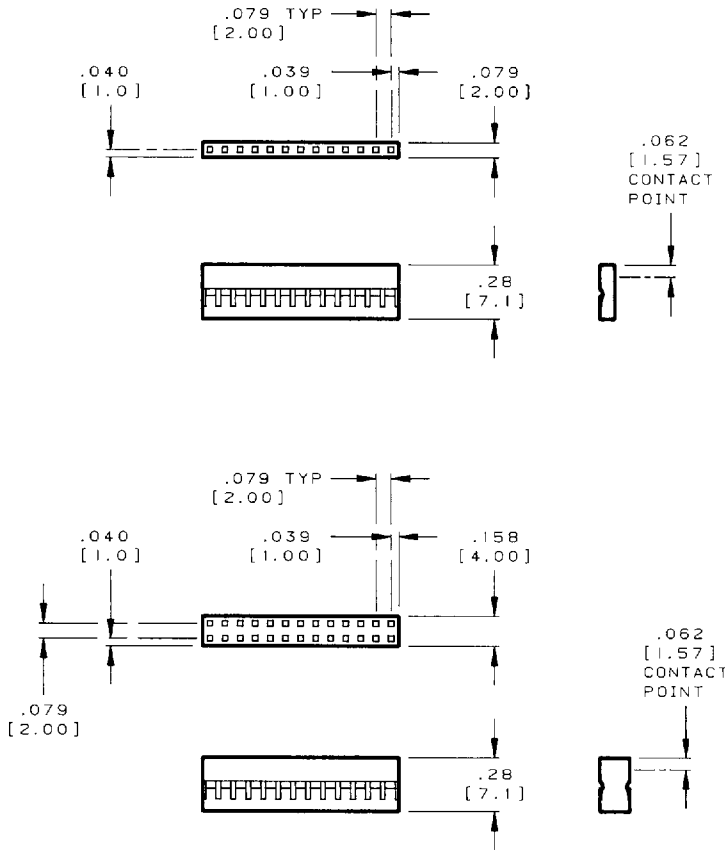


A-65-13



**[2mm] .079 SYSTEM CRIMP SOCKET HOUSING**

**Features**  
 Designed to mate with .020 [0.51] square posts on .079 [2.00] centers  
 Available in single and dual row configurations  
 Separately ordered contacts are available for use with 26 through 30 AWG wire

**Specifications**  
**Environmental**  
 Temperature Range: -55°C to +105°C

**Mechanical**  
 Insulator Material: glass filled polyester, black, UL94V-0  
 Contact Material: phosphor bronze  
 Contact Plating: gold flash

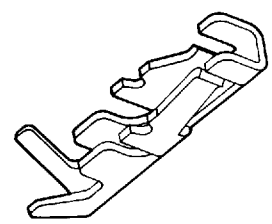
**Electrical**  
 Current Rating: 1 AMP with 26 AWG wire  
 Voltage Rating: 250 Vrms  
 Insulation Resistance: 5 Megohms MIN

**Mating CA Product:**  
 [2mm] .079 System Strip Headers

**CRIMP SOCKET CONTACTS**

**Features**  
 Crimp socket contacts are ordered separately  
 Designed for use with 26 through 30 AWG wire

**Part Numbers**  
 CA-CM-26/30-A



Part Numbers

**CA - 20 C M D**  
 1 2 3 4

- |  |  |   |
|--|--|---|
| <p><b>1 NO. OF POSITIONS</b><br/>                 Single Row = 02 thru 20<br/>                 Dual Row = 04 thru 40</p> | <p><b>2 SERIES (row spacing)</b><br/>                 C = Crimp Housing</p> <p><b>3 SERIES (row spacing)</b><br/>                 M = [2mm] .079</p> | <p><b>4 NO. OF ROWS</b><br/>                 S = Single Row<br/>                 D = Dual Row</p> |
|--|--|---|