



FlexLite

TE Internal #: 332959-000

Hook Up Wire, FlexLite TW, 600V Voltage Rating, Yellow Wire Color, 18AWG Wire Size, .82mm² Wire Size, Operating Temperature Range -65 – 135 °C

[View on TE.com >](#)

Wire & Cable > Hook Up Wire



Cable Type: **FlexLite TW**

Voltage Rating: **600 V**

Wire Color: **Yellow**

Insulation Material: **Flame-Retardant, Modified Polyester**

Conductor Material: **Tin-Coated Copper**

Features

Product Type Features

Product Type	Wire
Product Classification	Wire - Commercial
Cable Style	Primary, Stranded
Cable Type	FlexLite TW

Configuration Features

Number of Conductors	1
Number of Strands	19

Electrical Characteristics

Resistance (Max)	6.22 Ω/1000 ft @ 68°F
Voltage Rating	600 V

Body Features

Weight	9.52 kg/km
Wire Color	Yellow
Insulation Material	Flame-Retardant, Modified Polyester
Conductor Material	Tin-Coated Copper

Dimensions

	18 AWG
--	--------



Overall Outside Diameter Range	1.6 – 1.7 mm [.063 – .067 in]
Conductor Diameter	1.18 mm [.047 in]
Strand Size	30 AWG
Wire Size	.82 mm ²

Usage Conditions

Operating Temperature Range	-65 – 135 °C
-----------------------------	--------------

Product Compliance

[For compliance documentation, visit the product page on TE.com>](#)

EU RoHS Directive 2011/65/EU	Compliant
EU ELV Directive 2000/53/EC	Compliant
China RoHS 2 Directive MIIT Order No 32, 2016	No Restricted Materials Above Threshold
EU REACH Regulation (EC) No. 1907/2006	Current ECHA Candidate List: JUN 2020 (209) Candidate List Declared Against: JUL 2019 (201) Does not contain REACH SVHC
Halogen Content	Out of Scope - excluded from Halogen requirements
Solder Process Capability	Not applicable for solder process capability

Product Compliance Disclaimer

This information is provided based on reasonable inquiry of our suppliers and represents our current actual knowledge based on the information they provided. This information is subject to change. The part numbers that TE has identified as EU RoHS compliant have a maximum concentration of 0.1% by weight in homogenous materials for lead, hexavalent chromium, mercury, PBB, PBDE, DBP, BBP, DEHP, DIBP, and 0.01% for cadmium, or qualify for an exemption to these limits as defined in the Annexes of Directive 2011/65/EU (RoHS2). Finished electrical and electronic equipment products will be CE marked as required by Directive 2011/65/EU. Components may not be CE marked. Additionally, the part numbers that TE has identified as EU ELV compliant have a maximum concentration of 0.1% by weight in homogenous materials for lead, hexavalent chromium, and mercury, and 0.01% for cadmium, or qualify for an exemption to these limits as defined in the Annexes of Directive 2000/53/EC (ELV). Regarding the REACH Regulations, TE's information on SVHC in articles for this part number is still based on the European Chemical Agency (ECHA) 'Guidance on requirements for substances in articles' (Version: 2, April 2011), applying the 0.1% weight on weight concentration threshold at the finished product level. TE is aware of the European Court of Justice ruling of September 10th, 2015 also known as O5A (Once An Article Always An Article) stating that, in case of 'complex object', the threshold for a SVHC must be applied to both the product as a whole and simultaneously to each of the articles forming part of its composition. TE has evaluated this ruling based on the new ECHA "Guidance on requirements for substances in articles" (June 2017, version 4.0) and will be updating its statements accordingly.

Compatible Parts

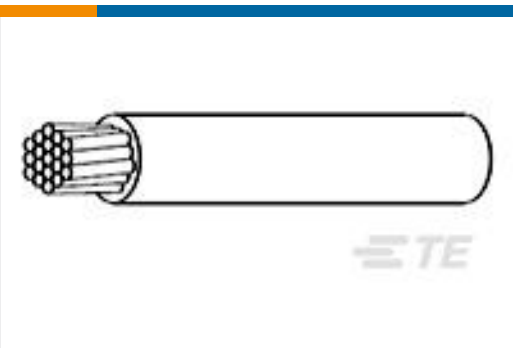


TE Model / Part # 650075-000
D-436-37

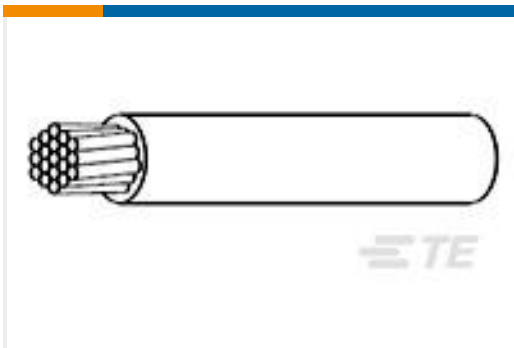
Customers Also Bought



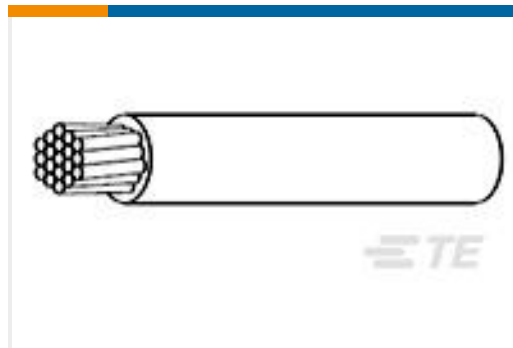
TE Model / Part #3-1452721-1
LOW & MEDIUM POWER HEADER



TE Model / Part #670373-000
FLTWC0311-18-7



TE Model / Part #267919-000
FLTWC0311-18-9



TE Model / Part #325755-000
FLTWC0311-18-6



TE Model / Part #1855532-3
HDM/FA SAPR.180F.4300 BENCH G CUT



TE Model / Part #2-1633930-2
ANVIL,COMBINATION



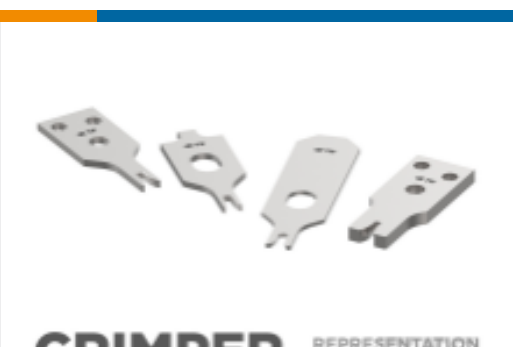
TE Model / Part #2151823-2
OC-AT-S-FA-070F080F-070-0820



TE Model / Part #680699-3
HDM 5SAPR200F4300 G



TE Model / Part #7-2150514-7
OCEAN_2.0_SPARE_PART_KIT-080F



TE Model / Part #8-654223-6
DRAHTCRIMPER

Documents

Product Drawings

[FLTWC0311-18-4](#)

English

Datasheets & Catalog Pages

[1654025_Sec9_FlexLite](#)

English

Wire and Cable Overview

English



Product Specifications

Product Specification

English