

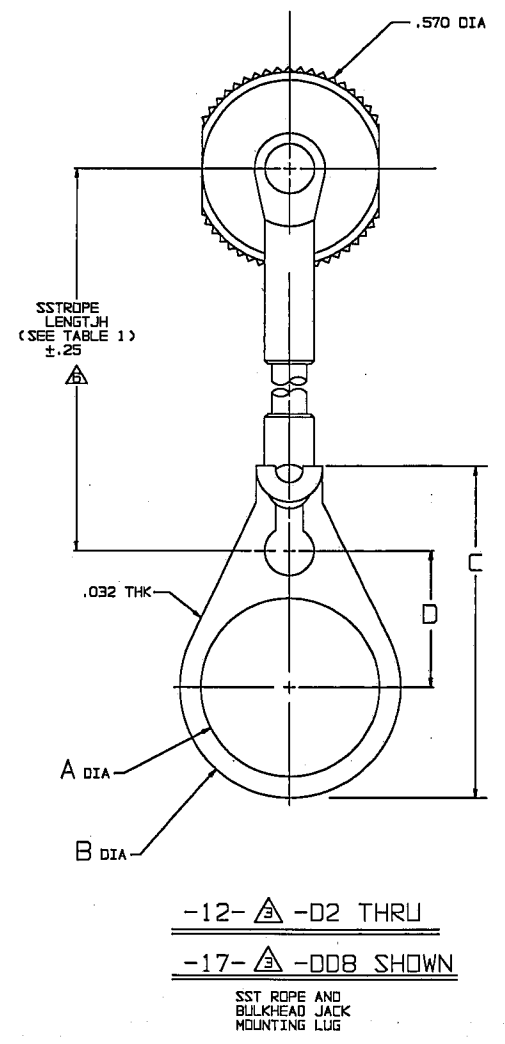
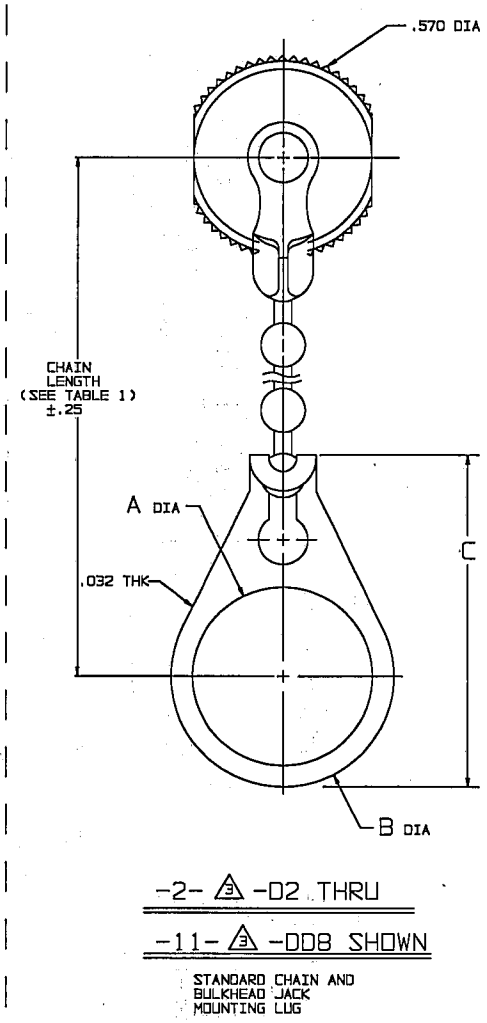
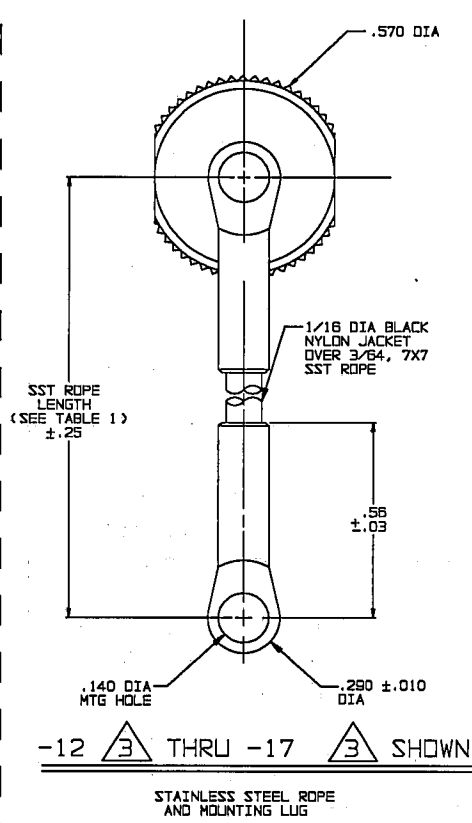
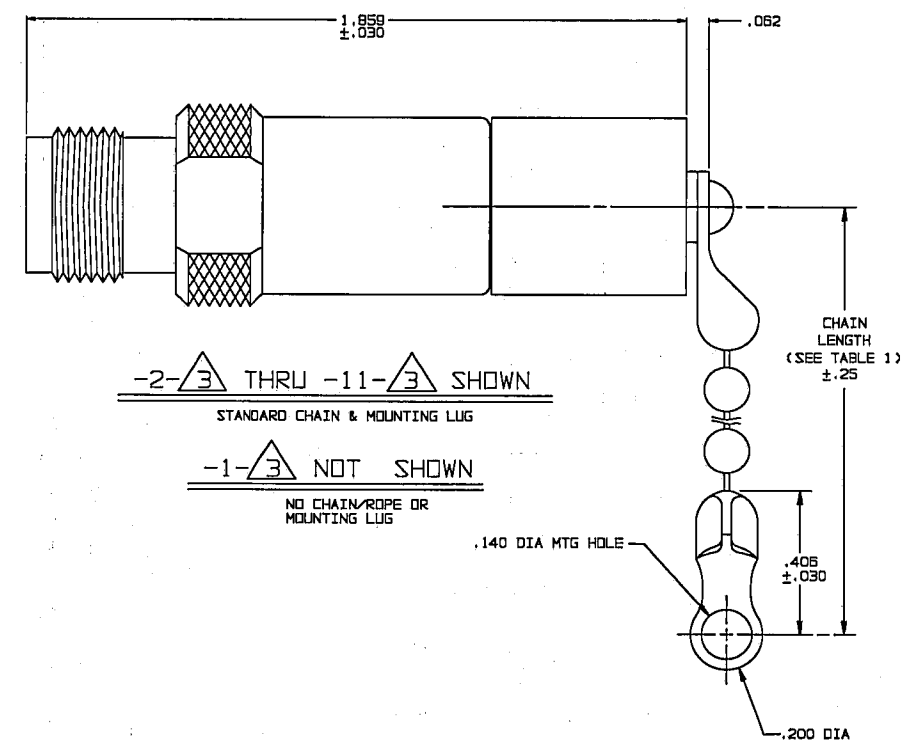
# RED INDICATES ORIGINAL

DATA CONTAINED IN THIS DOCUMENT IS PROPRIETARY TO TROMPETER ELECTRONICS, INC. AND SHALL NOT BE DISCLOSED, COPIED OR USED FOR REPRODUCTION OR MANUFACTURE WITHOUT EXPRESS WRITTEN PERMISSION.

REV		ECD	DESCRIPTION	DWN	APPROVED	DATE
A		12482	ADDED: -8 THRU 17; GENERAL UPDATE; SEE ECD	R L	AM JL	10/30/98

DASH NO	DESCRIPTION	DASH NO	DESCRIPTION
-1	TERM (NO CHAIN)	-8	TERM WITH 4.0 BRASS CHAIN
-2	TERM WITH 2.5 BRASS CHAIN	-9	TERM WITH 4.0 NYLON CHAIN
-3	TERM WITH 2.5 NYLON CHAIN	-10	TERM WITH 10.0 BRASS CHAIN
-4	TERM WITH 3.0 BRASS CHAIN	-11	TERM WITH 10.0 NYLON CHAIN
-5	TERM WITH 3.0 NYLON CHAIN	-12	TERM WITH 2.5 SST ROPE
-6	TERM WITH 6.0 BRASS CHAIN	-13	TERM WITH 3.0 SST ROPE
-7	TERM WITH 6.0 NYLON CHAIN	-14	TERM WITH 6.0 SST ROPE
		-15	TERM WITH 4.0 SST ROPE
		-16	TERM WITH 7.0 SST ROPE
		-17	TERM WITH 4.5 SST ROPE

DASH NO	"A" DIA	"B" DIA	"C" DIM	"D" DIM
-02	.630	.750	1.066	.450
-03	.505	.625	.941	.388
-04	.439	.562	.878	.355
-05	.380	.500	.816	.325
-06	.317	.437	.753	.295
-07	.281	.406	.722	.278
-08	.610	.750	1.066	.450
-09	.567	.687	1.003	.419
-008	.330	.450	.766	.300



NOTE SST ROPE LENGTH WITH MOUNTING LUG OPTION, NOT MEASURED TO CENTER OF BULKHEAD MOUNTING LUG

5. EXAMPLE OF COMPLETE MODEL NO: 3 - 02

TNTF1 - 2 - 3 - 02

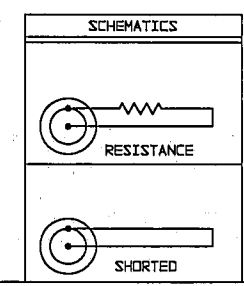
BASIC MODEL NO

CHAIN/ROPE MATL AND LENGTH (SEE TABLE 1)

BULKHEAD JACK MOUNTING LUG (OPTIONAL) (SEE TABLE 2)

4. TERMINATED FEMALE TWINAX/TRIAX THREADED JACK WITH MOUNTING LUG OPTIONS
- RESISTANCE VALUE IN OHMS PER TT-05 (1/2W, 1%) \*S\* = CONTACT SHORTED TO SHIELD (NO RESISTOR)
2. FINISH: TFS-1A (NICKEL)
1. ALL DIMENSIONS ARE IN INCHES

INCH	MM	INCH	MM	INCH	MM	INCH	MM	INCH	MM	INCH	MM
.005	0.13	.295	7.49	.437	11.10	.625	15.88	1.003	25.48	10.0	254.00
.010	0.25	.300	7.62	.439	11.15	.630	15.90	1.066	27.08		
.030	0.76	.317	8.05	.450	11.43	.667	17.45	1.071	27.20		
.032	0.81	.325	8.26	.500	12.70	.722	18.34	1.118	28.40		
.140	3.56	.330	8.38	.505	12.83	.750	19.05	2.5	63.50		
.200	5.08	.355	9.02	.56	14.22	.753	19.13	3.00	76.20		
.25	6.35	.380	9.65	.562	14.27	.816	20.73	4.00	101.60		
.278	7.05	.389	9.86	.567	14.40	.878	22.30	4.50	114.30		
.281	7.14	.406	10.31	.602	15.29	.925	23.50	5.00	127.00		
.290	7.37	.419	10.64	.610	15.49	.941	23.90	7.00	177.80		



QTY	DESCRIPTION	PART NUMBER	ITEM
TOL UNLESS SPECIFIED	TROMPETER ELECTRONICS, INC.	TNTF1	
DWN R L 9/29/98	MATERIAL CODE IDENT	DRAWING NO. 3-0064	REV A
ENGR IJM 10-29-98	14949		
APPR [Signature]	SCALE 4/1	DATE 5/4/91	SHEET 1C