

SOLISTRAND

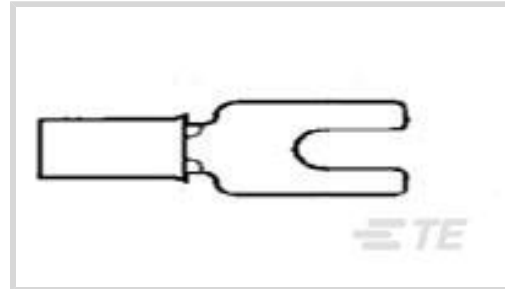
TE Part # 34129

TE Internal #: 34129

[View on TE.com >](#)



Terminals & Splices > Rings & Spades



Terminal & Splice Type: **Spade Tongue**

Wire Size: 2050 – 5180 CMA

Stud Size: #10

Features

Product Type Features

Shape Description	SPADE-023
Stud Size	#10
Barrel Type	Closed Barrel
Sealable	No
Insulated	No
Wire/Cable Type	Regular Wire

Configuration Features

Terminal Angle	Straight
----------------	----------

Body Features

Inspection Slot	No
Plating Material	Copper, Tin

Contact Features

Terminal & Splice Type	Spade Tongue
Terminal Orientation	Straight

Mechanical Attachment

Wire Insulation Support	Without
-------------------------	---------

Dimensions

Wire Size	2050 – 5180 CMA
Stud Diameter	5 mm[.197 in]
Tongue Thickness	.79 mm[.0311 in]



Overall Length 17.4 mm[.685 in]

Barrel Inside Diameter 2.16 mm[.085 in]

Usage Conditions

Operating Temperature Range 170 °C[338 °F]

Operation/Application

Heavy Duty No

Industry Standards

Government Qualified No

Packaging Features

Packaging Quantity 1000

Packaging Method Loose Piece

Product Compliance

[For compliance documentation, visit the product page on TE.com>](#)

EU RoHS Directive 2011/65/EU Compliant

EU ELV Directive 2000/53/EC Compliant

China RoHS 2 Directive MIIT Order No 32, 2016 No Restricted Materials Above Threshold

EU REACH Regulation (EC) No. 1907/2006
Current ECHA Candidate List: JAN 2019 (197)
Candidate List Declared Against: JAN 2019 (197)

Halogen Content Low Halogen - Br, Cl, F, I < 900 ppm per homogenous material. Also BFR/CFR/PVC Free

Solder Process Capability Not applicable for solder process capability

Product Compliance Disclaimer

This information is provided based on reasonable inquiry of our suppliers and represents our current actual knowledge based on the information they provided. This information is subject to change. The part numbers that TE has identified as EU RoHS compliant have a maximum concentration of 0.1% by weight in homogenous materials for lead, hexavalent chromium, mercury, PBB, PBDE, DBP, BBP, DEHP, DIBP, and 0.01% for cadmium, or qualify for an exemption to these limits as defined in the Annexes of Directive 2011/65/EU (RoHS2). Finished electrical and electronic equipment products will be CE marked as required by Directive 2011/65/EU. Components may not be CE marked. Additionally, the part numbers that TE has identified as EU ELV compliant have a maximum concentration of 0.1% by weight in homogenous materials for lead, hexavalent chromium, and mercury, and 0.01% for cadmium, or qualify for an exemption to these limits as defined in the Annexes of Directive 2000/53/EC (ELV). Regarding the REACH Regulations, TE's information on SVHC in articles for this part number is still based on the European Chemical Agency (ECHA) 'Guidance on requirements for substances in articles' (Version: 2, April 2011), applying the 0.1% weight on weight concentration threshold at the finished product level. TE is aware of the European Court of Justice ruling of September 10th, 2015 also known as O5A (Once An Article Always An Article) stating that, in case of 'complex object', the threshold for a SVHC must be applied to both the

product as a whole and simultaneously to each of the articles forming part of its composition. TE has evaluated this ruling based on the new ECHA "Guidance on requirements for substances in articles" (June 2017, version 4.0) and will be updating its statements accordingly.

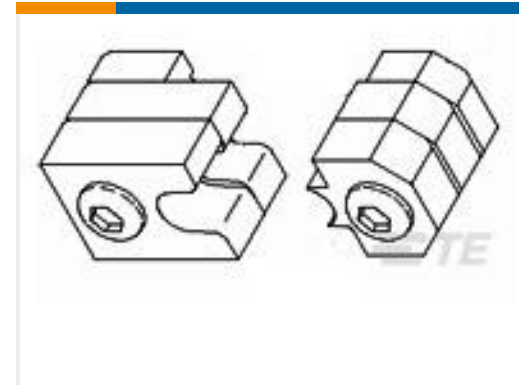
Compatible Parts



TE Part # 58546-1
PC 22-10 SOLISSPICE SPL
I SHT



TE Part # 58545-1
SOLISTRAND 10-22 DIE
ASSY



TE Part # 47813
DIE SOLIS 69365 16-14



TE Part # 525693
22-10 TYPE W D.A.H.T.
ASSY



TE Part # 49935
DAHT SOLIS 22-10



TE Part # 58545-3
SDE DIE ASSY. 22-10
SOLISTRAND



TE Part # 539662-2
MATR SOLISTR 0,3-6,

Customers Also Bought



TE Part #3-640604-8
08P MTA156 CONN ASSY
18AWG LF



TE Part #1-640251-8
18P SL156 HSG W/O LCK
RAMP



TE Part #3-1546158-2
6PCR-06-008=6 SERIES
ASSEMBLY



TE Part #34128
TERMINAL,SOLIS SPD 16-
14 8



TE Part #5-104118-3
10 SYS 50 HDR DRRA
UNSHRD SN



TE Part #5-87587-9
26 MODII HDR DRST
SHRD .100CL



TE Part #2-1571551-5
518-AG11D-ESL-LF=500
DIP,GF/SN



TE Part #2-640456-1
21P MTA100 HDR ASSY F
/L SQ STR



Documents

Product Drawings

[TERMINAL,SOLIS SPD 16-14 10](#)

English

Product Environmental Compliance

[TE Material Declaration](#)

English

Agency Approvals

[UL](#)

English