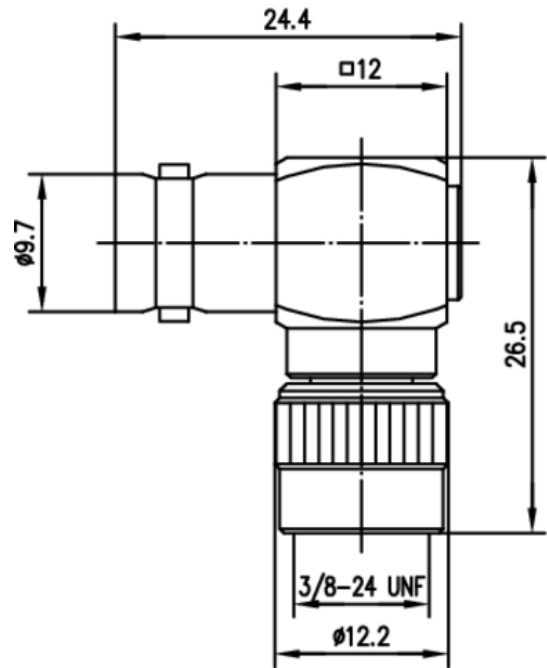


order number: J01008A0074

Angle Adaptor BNC to Mini UHF f-m



Technical Attributes	
Type	BNC (f)/Mini UHF (m)
Max. Frequency	2.5 GHz
Life	min. 500
Z	Ω
Series	
Finish	
Mount. dim.	