



Raychem

TE Internal #: 2831263001

Hook Up Wire, Spec 44, 600V Voltage Rating, Red with Black Stripe Wire Color, 24AWG Wire Size, Operating Temperature Range -65 – 150 °C

[View on TE.com >](#)

Wire & Cable > Hook Up Wire



Cable Type: **Spec 44**

Voltage Rating: **600 V**

Wire Color: **Red with Black Stripe**

Insulation Material: **Modified Radiation Cross-linked PVDF**

Conductor Material: **Tin-Coated Copper**

Features

Product Type Features

Cable Style	Primary
Product Type	Wire
Product Classification	High Performance - Spec 44, 55 & RCW
Cable Type	Spec 44

Configuration Features

Number of Conductors	1
----------------------	---

Electrical Characteristics

Voltage Rating	600 V
----------------	-------

Body Features

Wire Color	Red with Black Stripe
Insulation Material	Modified Radiation Cross-linked PVDF
Conductor Material	Tin-Coated Copper

Dimensions

Overall Outside Diameter	1.02 mm[.04 in]
Wire Diameter	1.02 mm[.04 in]
Conductor Diameter	.64 mm[.025 in]
Wire Size	24 AWG



Usage Conditions

Operating Temperature Range	-65 – 150 °C
-----------------------------	--------------

Other

Wire Source	United Kingdom
-------------	----------------

Product Compliance

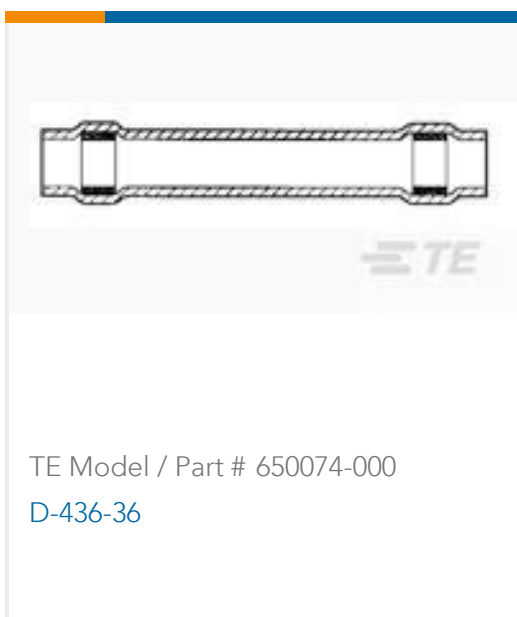
[For compliance documentation, visit the product page on TE.com>](#)

EU RoHS Directive 2011/65/EU	Compliant
EU ELV Directive 2000/53/EC	Compliant
China RoHS 2 Directive MIIT Order No 32, 2016	No Restricted Materials Above Threshold
EU REACH Regulation (EC) No. 1907/2006	Current ECHA Candidate List: JUN 2020 (209) Candidate List Declared Against: JAN 2020 (205) Does not contain REACH SVHC
Halogen Content	Out of Scope - excluded from Halogen requirements
Solder Process Capability	Not applicable for solder process capability

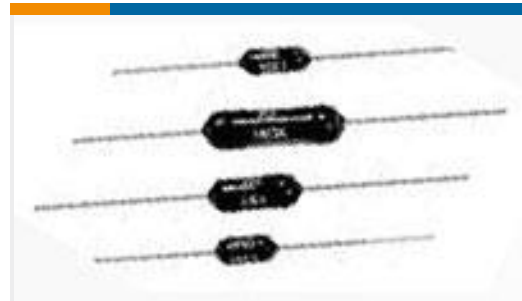
Product Compliance Disclaimer

This information is provided based on reasonable inquiry of our suppliers and represents our current actual knowledge based on the information they provided. This information is subject to change. The part numbers that TE has identified as EU RoHS compliant have a maximum concentration of 0.1% by weight in homogenous materials for lead, hexavalent chromium, mercury, PBB, PBDE, DBP, BBP, DEHP, DIBP, and 0.01% for cadmium, or qualify for an exemption to these limits as defined in the Annexes of Directive 2011/65/EU (RoHS2). Finished electrical and electronic equipment products will be CE marked as required by Directive 2011/65/EU. Components may not be CE marked. Additionally, the part numbers that TE has identified as EU ELV compliant have a maximum concentration of 0.1% by weight in homogenous materials for lead, hexavalent chromium, and mercury, and 0.01% for cadmium, or qualify for an exemption to these limits as defined in the Annexes of Directive 2000/53/EC (ELV). Regarding the REACH Regulation, the information TE provides on SVHC in articles for this part number is based on the latest European Chemicals Agency (ECHA) 'Guidance on requirements for substances in articles' posted at this URL: <https://echa.europa.eu/guidance-documents/guidance-on-reach>

Compatible Parts



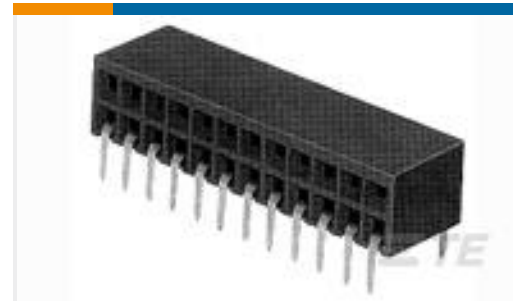
Customers Also Bought



TE Model / Part #8-1879642-3
H8 1K11 0.1% 5PPM



TE Model / Part #F733323001
55D0111-22-9



TE Model / Part #3-87962-1
64 MODII HORZ DR CE 100CL/115



TE Model / Part #2823013001
44A0211-8-9



TE Model / Part #3476303001
55A0812-22-0



TE Model / Part #6-146459-4
14 MODII HDR SRST UNSHRD STKG



TE Model / Part #1-1617138-0
MAW-26S = RELAY



TE Model / Part #1614379-5
RN 0805 12K 0.1% 10PPM CUT LENGTH



TE Model / Part #5-1676274-4
RN 0805 27K 0.1% 10PPM 1K RL



TE Model / Part #1879281-1
RP 2A 309K 0.1% 15PPM CUT LENGTH

Documents

Product Drawings

44A0111-24-20

English

Datasheets & Catalog Pages

1654025_Sec9_SPEC44

English

Raychem Wire and Cable Quick Reference Guide

English