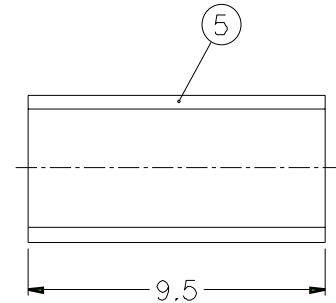
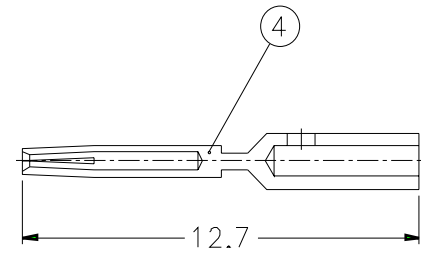
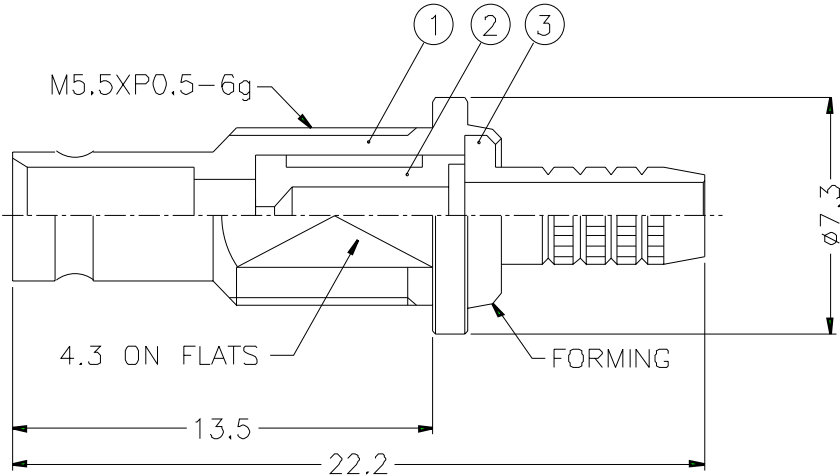
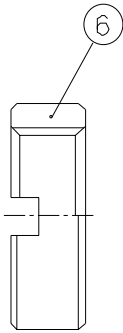
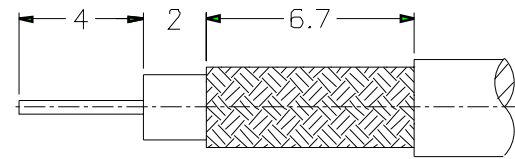
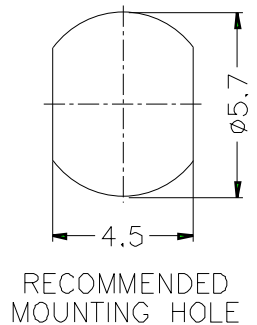


REVISIONS			
ISS	ZONE	DESCRIPTION\PER REQUEST\DATE	

CABLES: - FILOTEX NO ETUDE 276097  
 - TBR/CAB-SP.01  
 - ST 212 (SIRTI TCE2HH2)  
 - PIRELLI SIP CT 1320



- 1. CRIMPED FERRULE  
HEX CRIMP SIZE .151"
- 2. CRIMPED CONTACT PIN  
615717 (M22520/2-01) OR AFM8 ADJUST TO 5

NO.	DESCRIPTION	MATERIAL	FINISH	Q'TY	DRAWING NO.
6	NUT	BRASS	NICKEL	1	123-JACK-SN
5	FERRULE	COPPER	NICKEL	1	4K-871-13
4	CONTACT PIN	BECU	GOLD	1	1236421D7-4-175/095
3	BARREL	BRASS	NICKEL	1	
2	INSULATOR	PTFE	NATURAL	1	NS00AHQ02A
1	BODY	BRASS	GOLD	1	1236421D7-1

DIMENSIONS ARE IN MILLIMETERS			
UNLESS OTHERWISE SPECIFIED TOLERANCES			
0.5-6	=	±0.2	
6-30	=	±0.4	
30-120	=	±0.6	
120-315	=	±1	
315-1000	=	±1.6	
1000-2000	=	±2.4	

PART NO.	1236421A1-E20		
APPROVED	DATE	08-09-02'	
CHECKED	DATE	08-09-02'	
DRAWN	DATE	08-09-02'	
FILE NO.	F:\ND\10\6421\ERC\28\7F\MN		

<b>Amphenol RF</b>	
TITLE	1.0/2.3 CRIMP JACK
DRAWING NO.	106421ERC28MN7F
ITEM NO.	106421ERC28MN7F