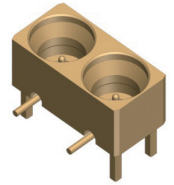
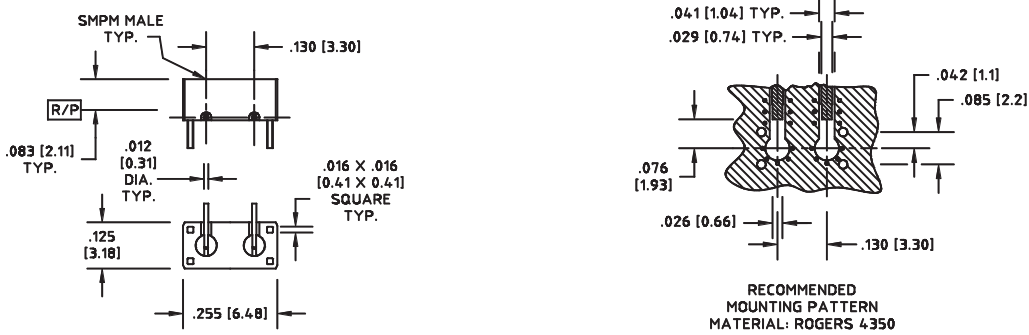


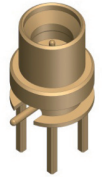
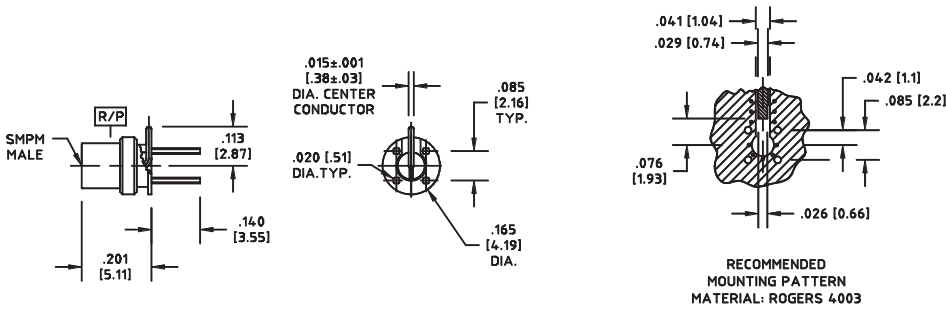
# SMPM - PCB mount connectors

## Dual SMPM male connector



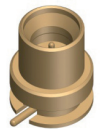
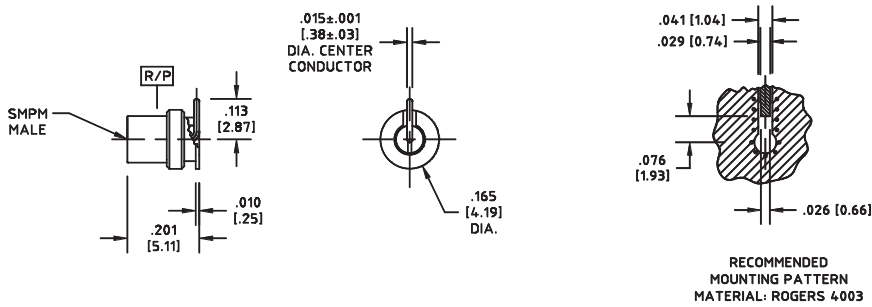
Detent	Part no.
Full	29976CB2-2-001
Smooth bore	29976CB2-4-001

## SMPM male connector



Detent	Part no.
Full	29972S1-2-001
Smooth bore	29972S1-4-001

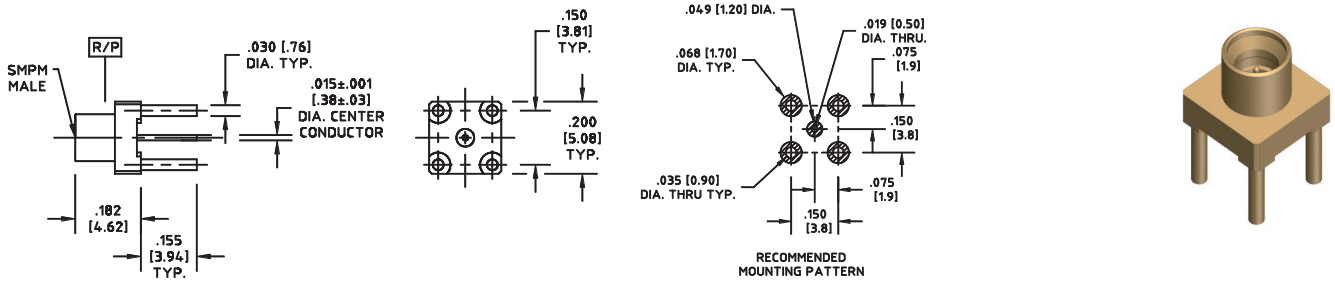
## SMPM male connector



Detent	Part no.
Full	29972SM-2-001
Smooth bore	29972SM-4-001

# SMPM – PCB mount connectors

## SMPM male connector



Detent	Part no.
Full	29972T1-2-155
Smooth bore	29972T1-4-155