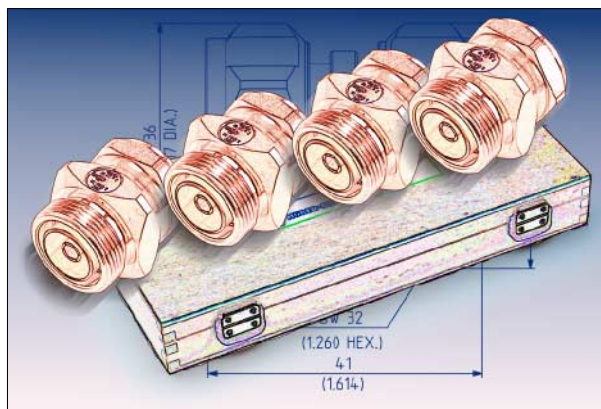


# SUHNER® TEST+MEASUREMENT

## IM STANDARDS (SETS)

### Complete sets 900/1800 MHz



Two complete IM standards sets for the 900 MHz and 1800 MHz frequency bands facilitate referencing during frequent intermodulation measurements.

A wooden box with foamed plastic insert provides protection during handling and allows easy storage of the sensitive components.

### 900 MHz

**289** Type **73 Z-0-0-373**

|             |                          |
|-------------|--------------------------|
| Item        | <b>23007224</b>          |
| Interface 1 | <b>DIN 7/16</b> (male)   |
| Interface 2 | <b>DIN 7/16</b> (female) |
| Frequency   | 900 MHz                  |

|                  |               |       |
|------------------|---------------|-------|
| Set consists of: | 69 716-50-0-1 | (291) |
|                  | 69 716-50-0-2 | (292) |
|                  | 69 716-50-0-3 | (293) |
|                  | 69 716-50-0-4 | (294) |

For technical data, see page 86.

### 1800 MHz

**290** Type **73 Z-0-0-374**

|             |                          |
|-------------|--------------------------|
| Item        | <b>23007225</b>          |
| Interface 1 | <b>DIN 7/16</b> (male)   |
| Interface 2 | <b>DIN 7/16</b> (female) |
| Frequency   | 1800 MHz                 |

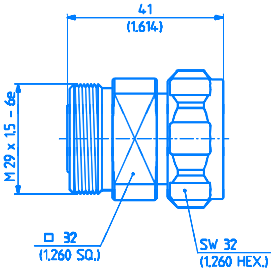
|                  |               |       |
|------------------|---------------|-------|
| Set consists of: | 69 716-50-0-5 | (295) |
|                  | 69 716-50-0-6 | (296) |
|                  | 69 716-50-0-7 | (297) |
|                  | 69 716-50-0-8 | (298) |

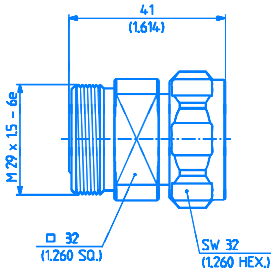
For technical data, see page 87.

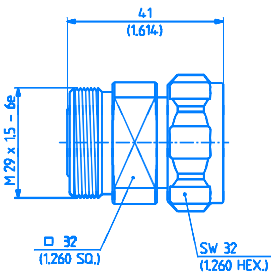
# SUHNER® TEST+MEASUREMENT

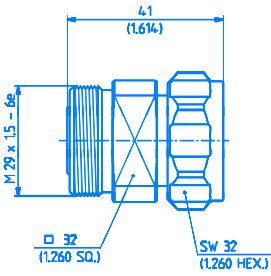
## IM STANDARDS

### Standards for 900 MHz

| 291   | Type        | 69 716-50-0-1 |
|---|-------------|---------------|
|  | Item        | 22658219      |
|   | Interface 1 | DIN 7/16(m)   |
|   | Interface 2 | DIN 7/16(f)   |
|   | IM level    | - 80 dBm      |
|   | Impedance   | 50 Ω          |
|   | Frequency   | 900 MHz       |
|   | Matings     | ≥ 500         |
|   | Material    | Brass / CuBe  |
|   | Weight      | 160 g         |

| 294  | Type        | 69 716-50-0-4 |
|--|-------------|---------------|
|  | Item        | 23003869      |
|  | Interface 1 | DIN 7/16(m)   |
|  | Interface 2 | DIN 7/16(f)   |
|  | IM level    | - 125 dBm     |
|  | Impedance   | 50 Ω          |
|  | Frequency   | 900 MHz       |
|  | Matings     | ≥ 500         |
|  | Material    | Brass / CuBe  |
|  | Weight      | 160 g         |

| 292  | Type        | 69 716-50-0-2 |
|--|-------------|---------------|
|  | Item        | 22658220      |
|  | Interface 1 | DIN 7/16(m)   |
|  | Interface 2 | DIN 7/16(f)   |
|  | IM level    | - 100 dBm     |
|  | Impedance   | 50 Ω          |
|  | Frequency   | 900 MHz       |
|  | Matings     | ≥ 500         |
|  | Material    | Brass / CuBe  |
|  | Weight      | 160 g         |

| 293   | Type        | 69 716-50-0-3 |
|---|-------------|---------------|
|  | Item        | 22658221      |
|   | Interface 1 | DIN 7/16(m)   |
|   | Interface 2 | DIN 7/16(f)   |
|   | IM level    | - 110 dBm     |
|   | Impedance   | 50 Ω          |
|   | Frequency   | 900 MHz       |
|   | Matings     | ≥ 500         |
|   | Material    | Brass / CuBe  |
|   | Weight      | 160 g         |

### Wooden box

For storing and protecting these sensitive adaptors, a box is available under the type 73 Z-0-0-346 (item 22658953). For further information, see page 134.

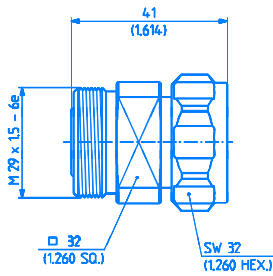
# SUHNER® TEST+MEASUREMENT

## IM STANDARDS

### Standards for 1800 MHz

**295**

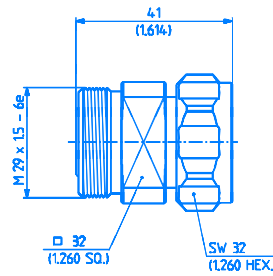
Type **69 716-50-0-5**



|             |                    |
|-------------|--------------------|
| Item        | <b>23003870</b>    |
| Interface 1 | <b>DIN 7/16(m)</b> |
| Interface 2 | <b>DIN 7/16(f)</b> |
| IM level    | - 80 dBm           |
| Impedance   | 50 Ω               |
| Frequency   | 1800 MHz           |
| Matings     | ≥ 500              |
| Material    | Brass / CuBe       |
| Weight      | 160 g              |

**296**

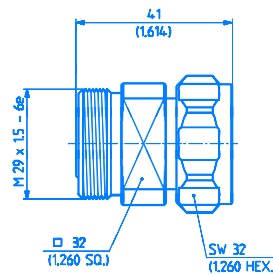
Type **69 716-50-0-6**



|             |                    |
|-------------|--------------------|
| Item        | <b>23003871</b>    |
| Interface 1 | <b>DIN 7/16(m)</b> |
| Interface 2 | <b>DIN 7/16(f)</b> |
| IM level    | - 100 dBm          |
| Impedance   | 50 Ω               |
| Frequency   | 1800 MHz           |
| Matings     | ≥ 500              |
| Material    | Brass / CuBe       |
| Weight      | 160 g              |

**297**

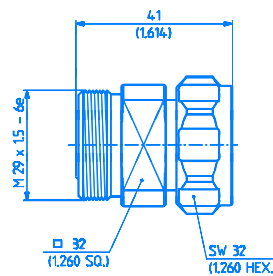
Type **69 716-50-0-7**



|             |                    |
|-------------|--------------------|
| Item        | <b>23003872</b>    |
| Interface 1 | <b>DIN 7/16(m)</b> |
| Interface 2 | <b>DIN 7/16(f)</b> |
| IM level    | - 110 dBm          |
| Impedance   | 50 Ω               |
| Frequency   | 1800 MHz           |
| Matings     | ≥ 500              |
| Material    | Brass / CuBe       |
| Weight      | 160 g              |

**298**

Type **69 716-50-0-8**



|             |                    |
|-------------|--------------------|
| Item        | <b>23003873</b>    |
| Interface 1 | <b>DIN 7/16(m)</b> |
| Interface 2 | <b>DIN 7/16(f)</b> |
| IM level    | - 125 dBm          |
| Impedance   | 50 Ω               |
| Frequency   | 1800 MHz           |
| Matings     | ≥ 500              |
| Material    | Brass / CuBe       |
| Weight      | 160 g              |