



CMN30 SERIES COMMON MODE CHOKE



COTS+

ELECTRICAL SPECIFICATIONS

- **Operating Temperature:** -55°C to +125°C
- **Storage Temperature:** -55°C to +130°C
- **Temperature Rise:** < 30°C
- **Inductance:** Measured at 10kHz, 0.10V
- **Inductance Tolerance:** ± 30%
- **DCR:** Measured at room ambient (25°C)
- **Dielectric Withstanding Voltage:** 1500 V_{RMS}
- **Overload Current:** 1.5 times rated current
- **Different electrical values available upon request**

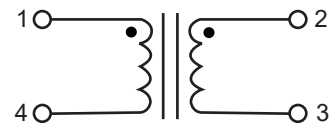
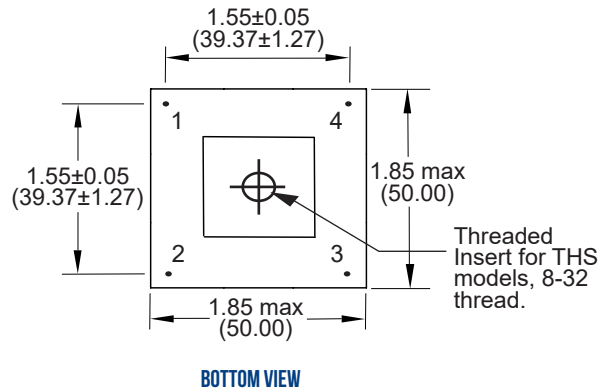
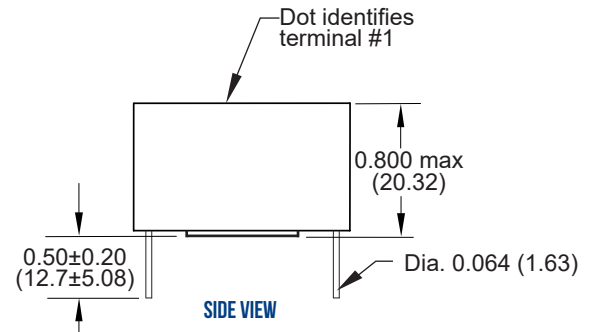
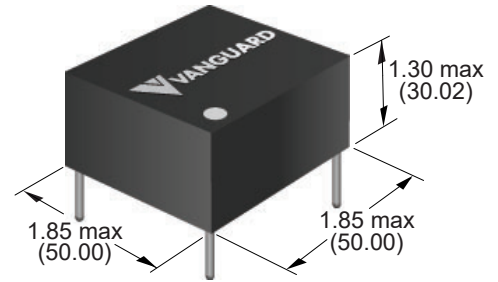
FEATURES

- **Terminations:** SnPb, Lead Free (RoHS). Add "LF" suffix to the end of the part number to designate RoHS component. EX. CMN30-106THLF
- **Insert:** Threaded insert can be added to component. Add "THS" suffix to the end of the part number. Ex. CMN30-106THS.
- **Resistance to Soldering Heat:** 265°C for 10 seconds
- **Moisture, Shock and Immersion Resistant**
- **Magnetically Shielded**

Vanguard P/N	Inductance @ 10kHz (mH)	DCR Max. (Ohms)	Rated Current (Amps)
CMN30-903TH	0.9	0.0022	22.5
CMN30-274TH	2.7	0.004	16.9
CMN30-554TH	5.5	0.006	14.2
CMN30-804TH	8.0	0.008	11.6
CMN30-125TH	12.5	0.011	9.9
CMN30-255TH	25.0	0.028	6.2
CMN30-505TH	50.0	0.064	4.2
CMN30-755TH	75.0	0.100	3.3
CMN30-106TH	100	0.145	2.8
CMN30-156TH	150	0.280	2.0
CMN30-206TH	200	0.510	1.5

Inductance Range (mH)	DCR max (Ohms)	Current Rating (A)
0.9 - 200	0.0022 - 0.510	22.5 - 1.5

DIMENSIONS: INCHES (MM)
MARKINGS: LASER ETCH OR INK



SCHEMATIC

CUSTOM DESIGNS & MODIFICATIONS:

Other electrical configurations and performance characteristics are available in various sizes and package types

CMN30 SERIES

