

RED IS ORIGINAL

DISK # H 4
 DWG SIZE C
 DATA CONTAINED IN THIS DOCUMENT IS PROPRIETARY TO TROMPETER ELECTRONICS INC. AND SHALL NOT BE DISCLOSED, COPIED OR USED FOR PROCUREMENT OR MANUFACTURE WITHOUT EXPRESS WRITTEN PERMISSION.

REVISIONS			3-0123		SH 1
REV	EO	DESCRIPTION	DWN	APPROVED	DATE
E	10049	PICTORIALLY CHANGED 1.00 FLAIRED SEALING SLEEVE TO STRAIGHT (1.25) LONG SEALING SLEEVE; GENERAL UPDATE	DKC	<i>DKC</i>	6/15/92

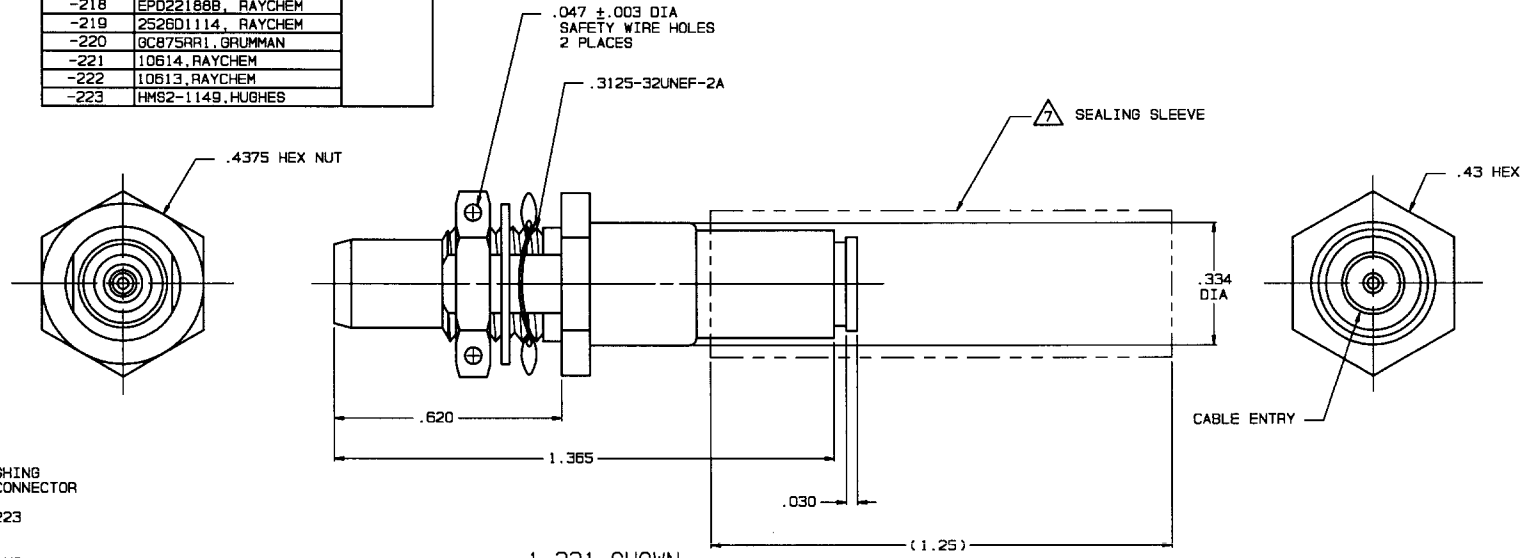
TABLE 1

DASH NO	MODEL NO	CENTER CONTACT/INTMD CONTACT TYPE
-1	BJ3459AC P	SOCKET/PIN
-2	BJ3459AC S	PIN/SOCKET

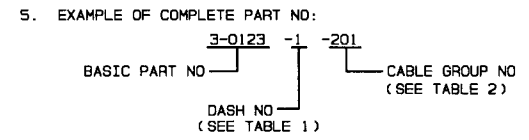
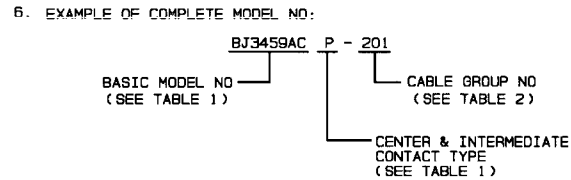
TABLE 2

CABLE GROUP NO	CABLES ACCOMMODATED	ASSEMBLE PER
-201	M17/176-00002	TAI-162
-202	TWC-78-1, TROMPETER	
-203	TWC-124-1A, TROMPETER	
-204	10B02, RAYCHEM	
-205	TWAC-78-1F2, TROMPETER	
-206	7826D0130, RAYCHEM	
-208	202-3927, MICRODOT	
-209	202-3942, MICRODOT	
-212	2524E0114, RAYCHEM	
-217	0C875TM24H GRUMMAN	
-218	EPD22188B, RAYCHEM	
-219	2526D1114, RAYCHEM	
-220	0C875RR1 GRUMMAN	
-221	10614, RAYCHEM	
-222	10613, RAYCHEM	
-223	HMS2-1149, HUGHES	

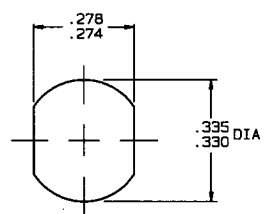
INCH	MM
.003	0.08
.0050	0.13
.010	0.25
.030	0.76
.047	1.19
.125	3.18
.255	6.48
.274	6.98
.278	7.06
.330	8.38
.334	8.48
.335	8.51
.43	10.92
.4375	11.11
.620	15.75
1.00	25.40
1.365	34.67



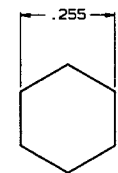
7 SEALING SLEEVE & CRIMP BUSHING SUPPLIED LOOSE WITH EACH CONNECTOR EXCEPT NOT USED ON -205, -208 & -223



-1-221 SHOWN



RECOMMENDED
PANEL CUTOUT



RECOMMENDED
HEX CRIMP

- MAX PANEL THK .125
- CONCENTRIC TWINAX 4 PIECE ASSY, FULL CRIMP NONINSULATED BULKHEAD MOUNT RECEPTACLE, SOCKET CENTER CONTACT AND PIN INTERMEDIATE CONTACT OR PIN CENTER CONTACT AND SOCKET INTERMEDIATE CONTACT
- FINISH: TFS-1U (500 HOURS SALT SPRAY; NICKEL)
- ALL DIM ARE IN INCHES

QTY	DESCRIPTION	PART NUMBER	ITEM
TOL UNLESS SPECIFIED .XX ± .03 .XXX ± .010 .XXXX ± .0050 ANGLES ±	TROMPETER ELECTRONICS, INC.	BJ3459ACP/S	
DWN DKC 12-7-92	MATERIAL	CODE IDENT	DRAWING NO.
CHK <i>DKC 6-9-92</i>		14949	3-0123
ENGR -G			REV E
APPR <i>EG</i>	SCALE 4/1	DATE 10-7-87	SHEET 1 OF 2