

Data Sheet

PC Quick-Fit Terminal 6.3x0.8mm 45° Brass nickel-plated hole ø6.3mm

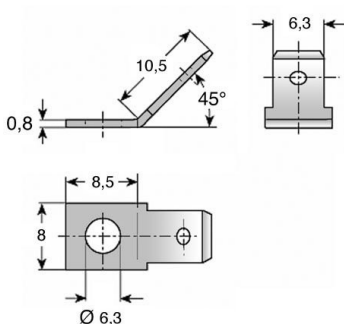
Part No.: 019.68.364



Finish :	Nickel-plated
Material :	Brass
Version :	6,3x0,8 mm
Plug-In Length [mm] :	8
Design :	angled 45°
Width [mm] :	8
Mounting Hole [mm] :	6,3
Weight per 100 pcs :	68 g
Customs tariff number :	85366990
Conformities :	



Image for illustrative purposes only.



All information is available online
on our detail product page!

Looking for some advice for your specific situation?
If so, please don't hesitate to e-mail us at products@ettinger.de

Subject to changes and errors.