






-  Four transmit transformers, four receive transformers and line side protection circuit in a single SMT package
-  Designed for Infineon's QUADFALC and QUADLIU transceivers
-  IC grade transfer-molded package withstands 235°C IR reflow temperature
-  Extended temperature range of -40°C to +85°C
-  Minimum Isolation voltage: 1500Vrms



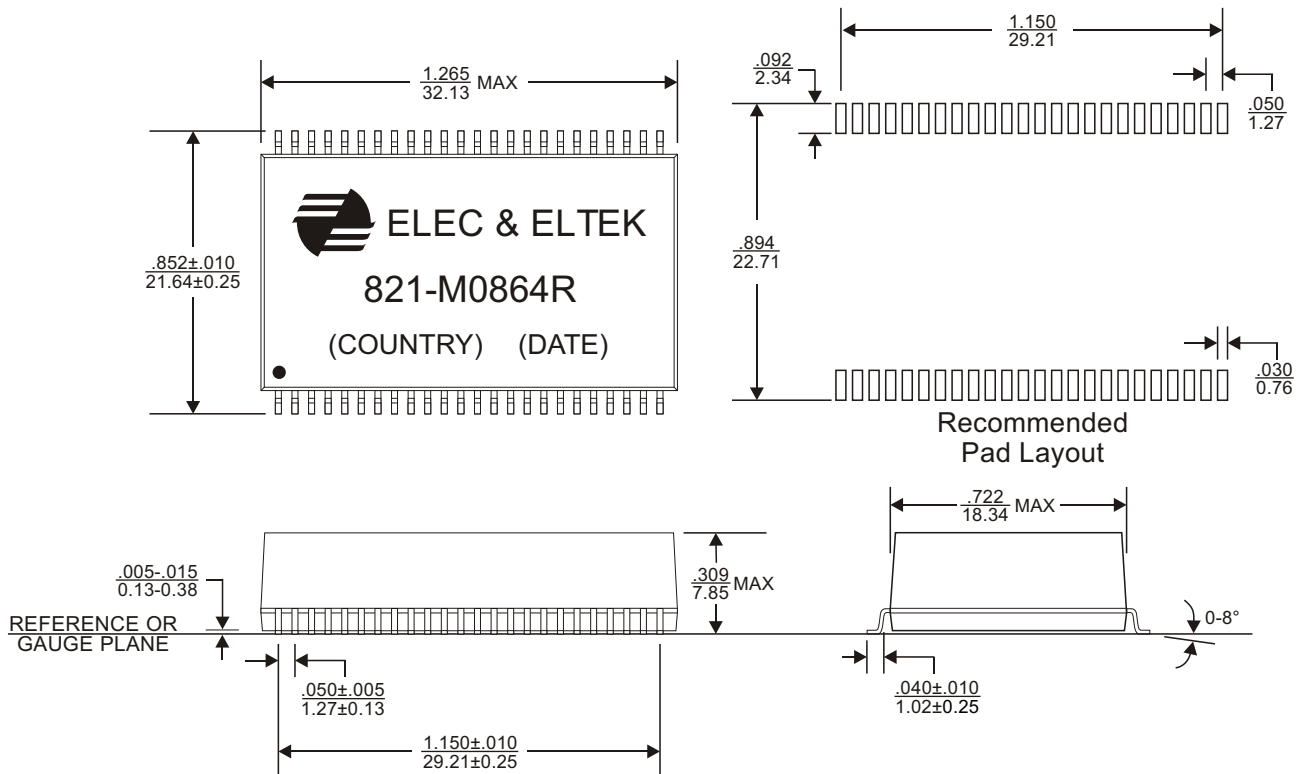
**ELECTRICAL SPECIFICATION @25°C**

Part Number	Turns Ratio (Pri: Sec ±5%)		OCL Line Side (mH Min)	LL (uH Max)		Cww (pF Max)	Isolation Voltage (Vrms Min)	Primary Pins	
	Tx	Rx		Tx	Rx			Tx	Rx
821-M0864R	1CT:2.4	1:1CT	1.2	0.5	0.8	35	1500	1-3, 10-12, 13-15, 22-24	45-43, 42-40, 33-31, 30-28

Note: At -40°C, OCL is 600uH minimum.

**MECHANICAL DIMENSIONS**

Package: SO048B



Notes: All dimensions are specified in  $\frac{\text{inches}}{\text{mm}}$  with higher precedence in inches.  
Unless otherwise specified, all tolerances are  $\pm \frac{.010}{0.25}$ .

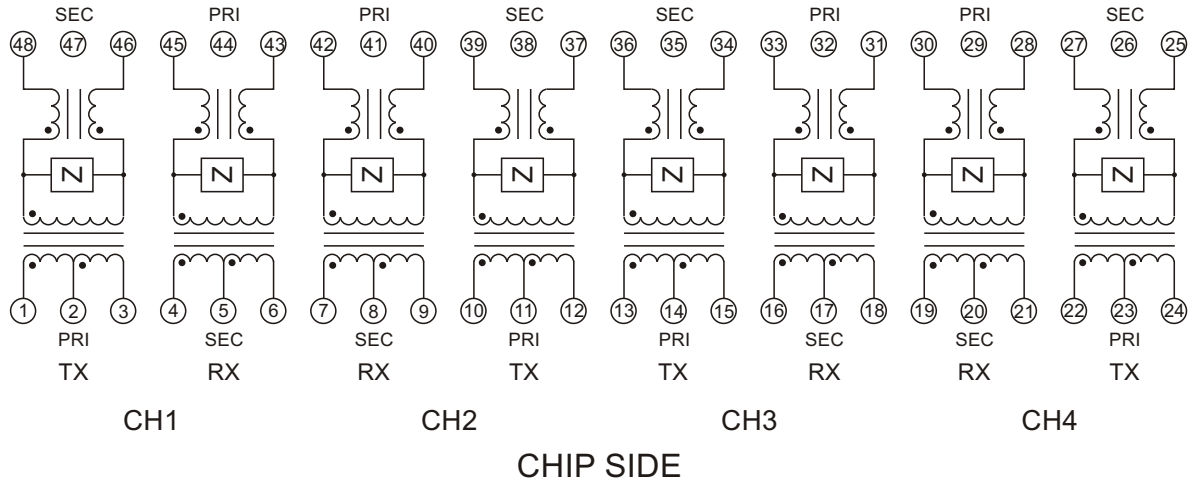
Weight (in gram)	:	9.0 typ.
Tape & Reel	:	200 / reel



**SCHEMATICS**

821-M0864R

**LINE SIDE**



**FOR MORE INFORMATION, PLEASE CONTACT**

**HEADQUARTER**

1/F., Harbour View 1, No.12 Science Park East Avenue,  
Phase II, Hong Kong Science Park, Shatin, N.T.  
Hong Kong

Tel: (852) 2954 3333 Fax: (852) 2954 3304

Email: eempl@eleceltek.com

Website: <http://www.eleceltek.com> / [www.eemagnetic.com](http://www.eemagnetic.com)

Information herein is for reference only and subject to change without notice. It does not constitute any representation, warranty or commitment of the company in respect of the products in any aspect. All logos, brands and product names mentioned herein are trademarks or registered trademarks of their respective owners. The company does not assume any liability arising out of the application or use of any product or circuit described herein. Copyrights 2009, E & E Magnetic Products Limited.