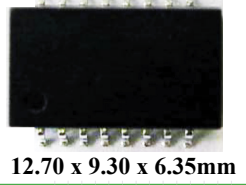


10/100Base-T Single Port Transformer

APT-104

RoHS/RoHS II Compliant

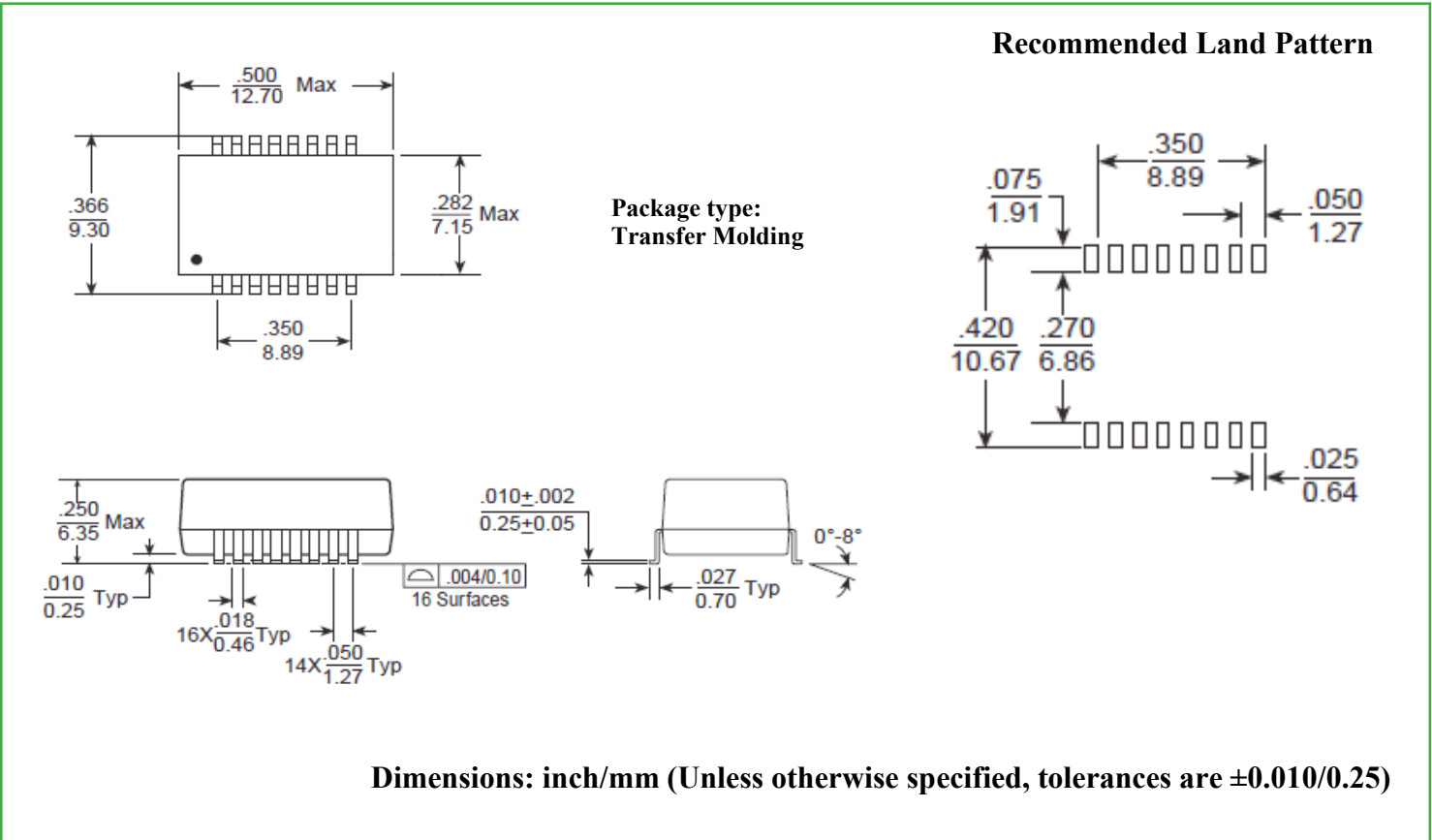


12.70 x 9.30 x 6.35mm

STANDARD SPECIFICATIONS:

Parameters	Minimum	Typical	Maximum	Units	Notes
Operating Temperature	-40		+85	°C	
Storage Temperature	-40		+85	°C	
Inductance	350			uH	100kHz/0.1V@ 8mA
Insertion Loss			-1.1	dB	0.1-100MHz
Return Loss	-18			dB	30MHz
	-14				60MHz
	-11.5				80MHz
Cross Talk	-45			dB	30MHz
	-40				60MHz
	-35				100MHz
Differential to Common Mode Rejection	-42			dB	30MHz
	-37				50MHz
	-33				100MHz
Turns Ratio (±2%)	1CT: 1CT				@50kHz, 0.5V
High Pot	1500Vrms/0.5mA/1Sec				

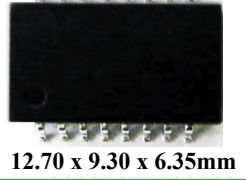
OUTLINE DRAWING:



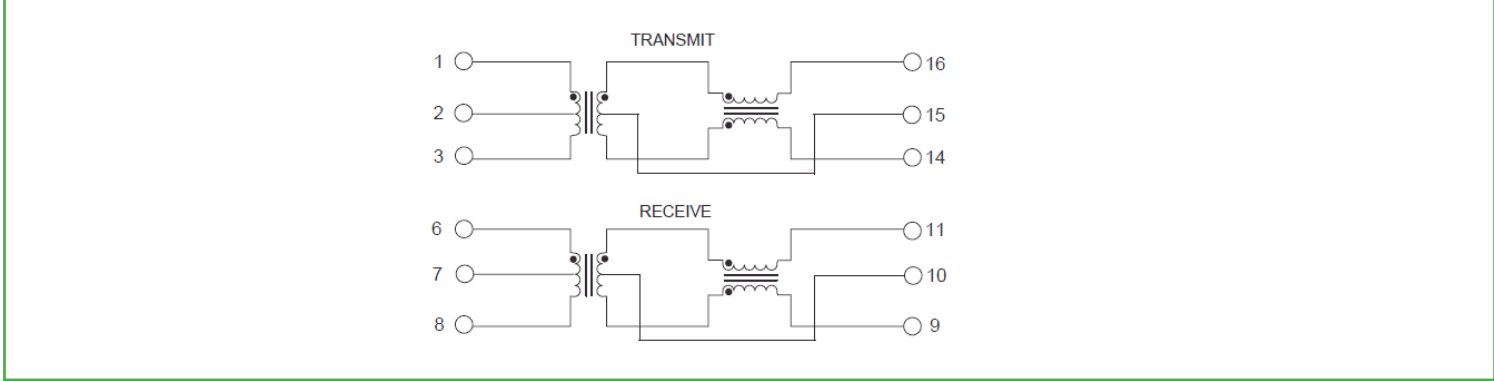
10/100Base-T Single Port Transformer

APT-104

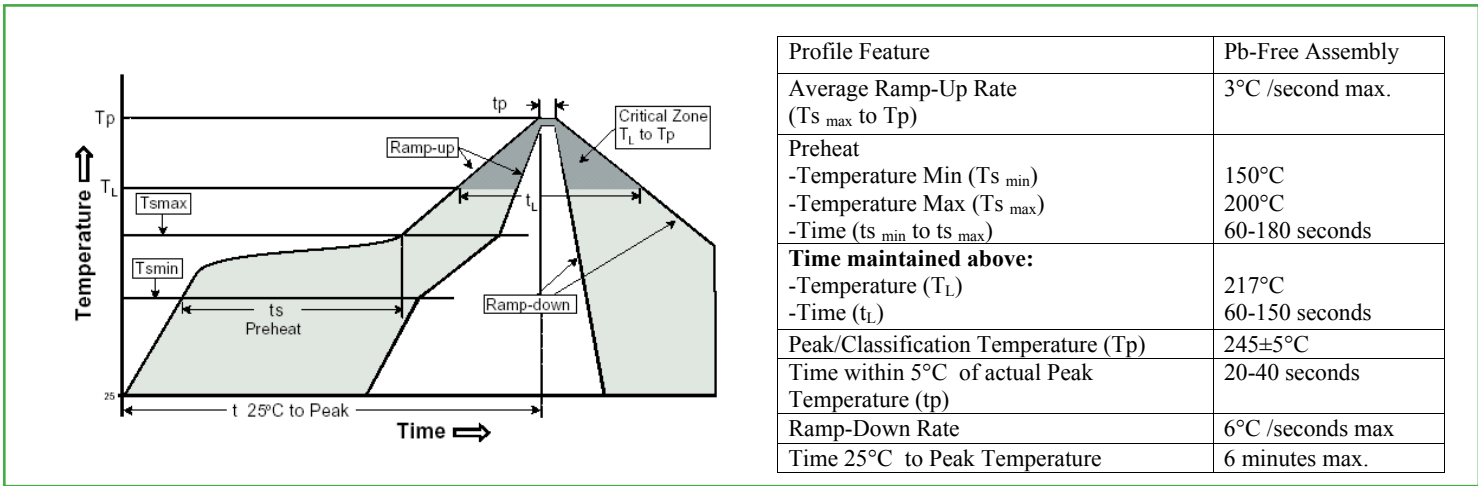
RoHS/RoHS II Compliant



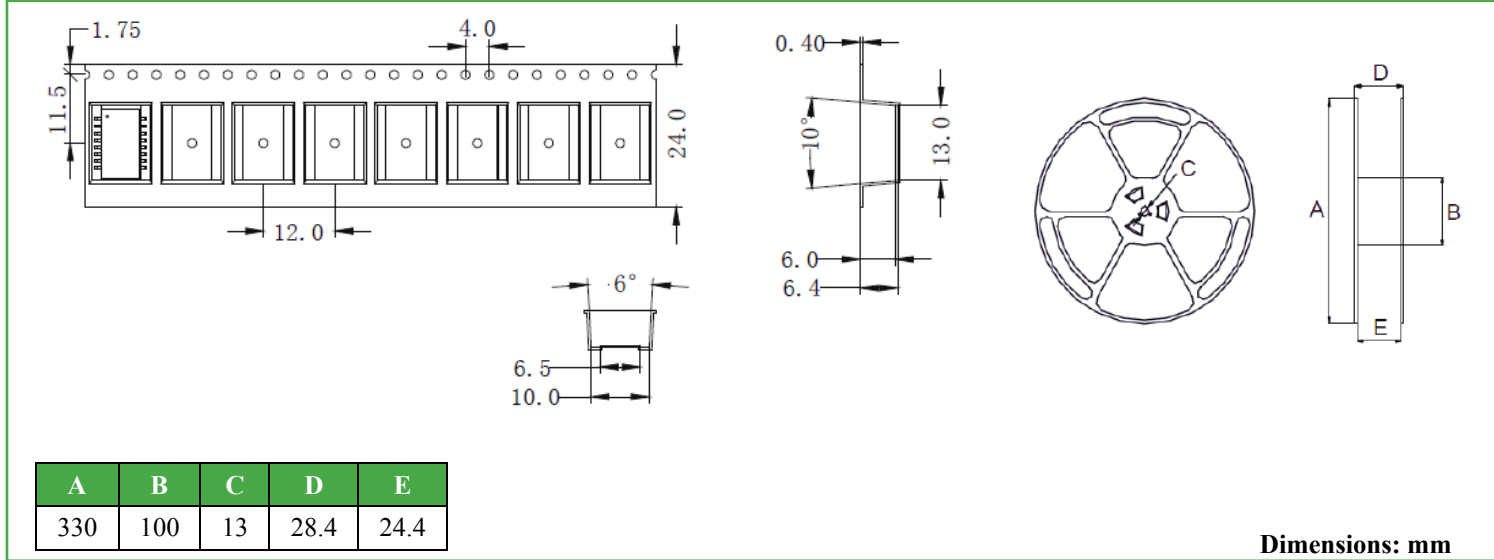
SCHEMATIC:



REFLOW PROFILE:



TAPE & REEL: 750pcs/reel



ATTENTION: Abracon Corporation's products are COTS – Commercial-Off-The-Shelf products; suitable for Commercial, Industrial and, where designated, Automotive Applications. Abracon's products are not specifically designed for Military, Aviation, Aerospace, Life-dependant Medical applications or any application requiring high reliability where component failure could result in loss of life and/or property. For applications requiring high reliability and/or presenting an extreme operating environment, written consent and authorization from Abracon Corporation is required. Please contact Abracon Corporation for more information.

ABRACON IS
ISO9001:2008
CERTIFIED



Visit www.abracon.com for Terms & Conditions of Sale **Revised: 10.08.13**
30332 Esperanza, Rancho Santa Margarita, California 92688
tel 949-546-8000 | fax 949-546-8001 | www.abracon.com