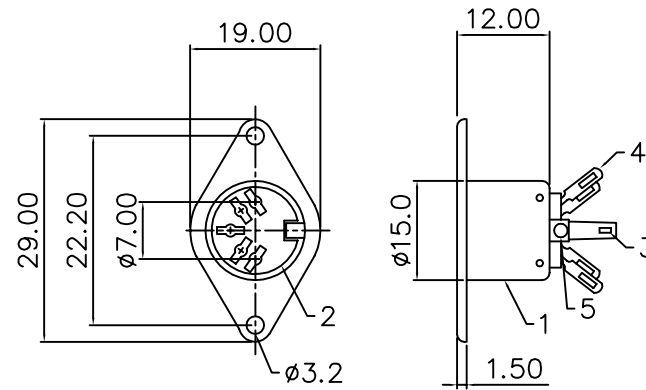


**SPECIFICATIONS**

Voltage Withstanding : AC 1000V For 1 Minute  
 Insulation Resistance: 300MΩ Min At 500V DC  
 Contact Resistance : 20 Milliohms Max.  
 Insertion Force : 4.0 Kg Max.  
 Withdrawal Force : 1-3.5Kg  
 1- Socket Case : SPCC-SD 0.4t, Nickel Plated  
 2- Insulator : P.B.T, Valox 420-SEO, UL 94V-0  
 3- Earth Terminal : Pbsr-H 0.25t, Pb10%, Sn 90%  
 4- Contact Terminal : Brass 0.7t, Pb 10%, Sn 90%  
 5- Rivet : Al , Nickel Plated



Arrangement Of Contacts					
Pin No.	04	05	06	07	08

**AUK** A NUMBER OF AUK GROUP  
**太聯事業股份有限公司**  
 AUK CONTRACTORS CO., LTD.

DRAWING No.  
DJ05P

APPROVED BY MEI  
 CHECKED BY RAN  
 DRAWING BY HZF

UNLESS OTHERWISE SPECIFIED TOLERANCES ARE  
 .X ±0.38  
 .XX ±0.25  
 ANG.

SCALE NONE

REV. A

UNIT mm

AREA REVISIONS CHK DATE